

Global Series™ Signaling Custom Configured Fixtures

Quick and easy inter-connecting modular products are the best way to describe the Global Series™ product line.

All combined fixture devices must start with the increased safety “Ex de” models, these units can be combined for a multitude of configurations. The patent pending connecting system greatly simplifies a user’s installation and wiring experience by requiring only a single explosion proof wiring gland external to the devices.

Two standard configurations are available pre-assembled from the factory: Linear and Parallel. Other custom configurations are available to meet unique project requirements. Some restrictions apply: contact our Technical Support team or your local sales representative for more options. Devices can include two to six units.



Parallel configuration shown

Linear configuration shown

FEATURES

- Fully factory assembled
- Optional 316 stainless steel ratchet adjustable mounting U-bracket for G-MS-C-2B only. (Field assembly required)
- Non-metallic corrosion-resistant GRP housings
- 316 stainless steel dome guard included on visual signals
- Standard M20 cable entries. Select M25 cable entries available
- No mounting orientation limitations
- LED has 8 field selectable flash patterns, default setting to “Flashing at 60 FPM”
- Sounder has 15 field selectable tones, default setting to “C” 1kHz tone.
- Includes all connector kits/hardware and standard single activation or audio wiring with flying leads. Customer wiring and activations are available, contact factory for assistance.
- Limited to two audible devices in any single configuration, must locate in Position #1 or #2
- Optional indicator rings are available in six colors: Black, Blue, Green, Magenta, Red and Yellow
- Field customizable legend plates available²
- IP66 enclosure
- Zone 1, 21 Rated, IECEx, ATEX, Ex d IIC, Ex de IIC and Ex tb IIIC
- UL and cUL Listed for Class I, Division 2, Groups A, B, C and D; Class II, Division 2, Groups F and G; and Class III
- Additional custom configurations are available contact Technical Support or a local sales agent for information
- Audible devices: UL and cUL Listed for Class 1, Zone 1 AEx db IIC T4: Zone 21, AEx tb IIIC T4//135°C, excludes increase safety versions (Ex de)
- Visual devices: UL and cUL Listed for Class 1, Zone 1 AEx db IIC T3: Zone 21, AEx tb IIIC T200°C, excludes increase safety versions (Ex de)
- UL Fire Listed (24VDC, Clear Strobe and Sounder ONLY).

Global Series™ Signaling Custom Configured Fixtures

G-MSC Linear Configurations

Available from 2 to 6 devices in a linear configuration.
 Devices positions start bottom to top.
 Position #1 determined by proximity to junction box.



G-MSC Parallel Configurations

Available from 2 to 6 devices in a stacked parallel configuration.
 Device positions start bottom left, proceed left to right, then bottom to top.



Parallel Position #5
 Parallel Position #3
 Parallel Position #1



G-MSC-6C

Parallel Position #6
 Parallel Position #4
 Parallel Position #2

Restriction

Limited to two audible devices in any single configuration, must locate in Position #1 or #2. Position 1 designated by the first device connected to the junction box, customer supplied. In a parallel unit. If device A is a G-SPA, device B cannot be a G-SPA or G-SPK; it must be parallel to a visual device. G-SPK devices can only be used side-by-side in a parallel unit.

HOW TO ORDER

- 1- Select a configuration
- 2- Select operating voltage
- 3- Select signal for each position including color for visual products

4 -For LED signals select flash pattern, default "Flashing" 60 FPM

5 -For Sounder signals select tone, default is 1kHz tone

Note: audible products must be located in Position 1 or 2 for Linear configurations, or 1, 2, 3, or 4 in Parallel configurations.

▶ Global Series™ Accessories

Indicator Ring and Legend Plate Kit

Kit includes one (1) indicator ring, one (1) legend plate¹, and associated hardware

Description

Black

Blue

Green

Magenta

Red

Yellow

Part Number

G-KIT-RP-BK

G-KIT-RP-B

G-KIT-RP-G

G-KIT-RP-M

G-KIT-RP-R

G-KIT-RP-Y

¹ Recommended labels: BRADY #B-855 Toughwash labels or ULINE #S-16643 weather resistant

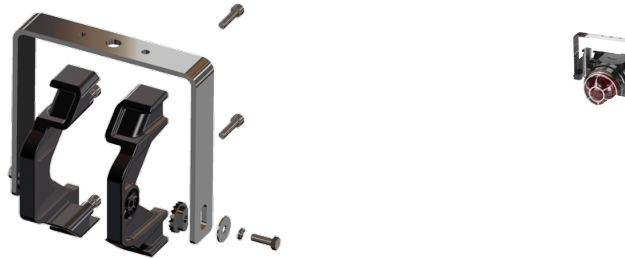


Single Mount U-Bracket Kit

Kit includes one (1) single U-Bracket, two (2) U-Bracket side mounts and associated hardware. It is compatible with all "Ex d" units.

Part Number

G-KIT-ST



Dual Mount U-Bracket Kit

Kit includes one (1) dual U-Bracket, two (2) U-Bracket side mounts and associated hardware. It is compatible with any standard dual unit.

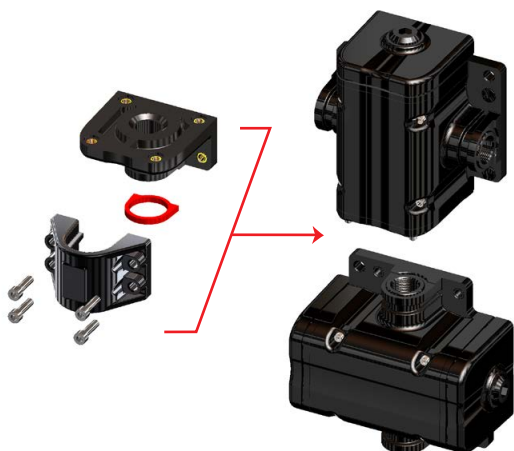
Part Number

G-KIT-DT



Global Series™ Coupling Kits

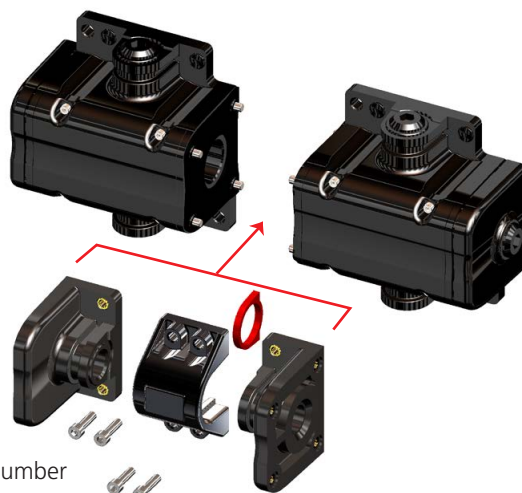
The accessories below allow single unit Global Series™ “Ex de” models to be coupled to other Global Series “Ex de” models. These kits allow installers in the field to create multi-unit configurations. Note: multi-unit configurations can be ordered pre-assembled according to a customer specification. The benefit of pre-assembled configurations is reduced on-site wiring and installation.



Part Number
G-KIT-EC90

90° e-Box to e-Box Endcap Coupling Kit

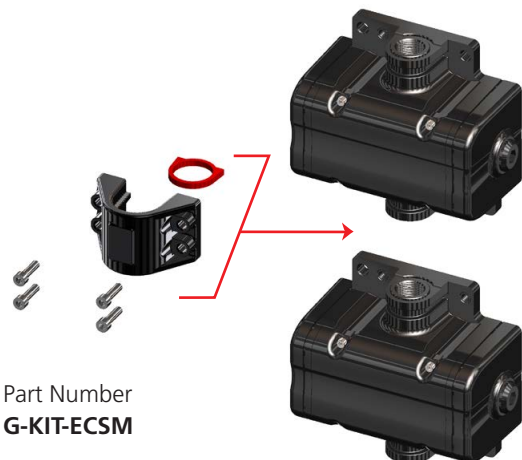
Kit includes one (1) flanged e-Box coupler endcap, one (1) coupler, one (1) gasket and four (4) mounting bolts



Part Number
G-KIT-EC180

In-Line e-Box to e-Box Endcap Coupling Kit

Kit includes two (2) flanged e-Box coupler endcaps, one (1) coupler, one (1) gasket and four (4) mounting bolts



Part Number
G-KIT-ECSM

Side Mount e-Box to e-Box Coupling Kit

Kit includes one (1) coupler, one (1) gasket, and four (4) mounting bolts



Part Number
G-KIT-EXTB*

Extension Box Kit

Kit includes e-Box without terminal blocks and two (2) M20 Plugs

*Cannot be field assembled to “Ex d” models.