



(Shown with pendant mount)



► Model FSEX

Explosion-Proof Strobe Light

Federal Signal's Model FSEX explosion-proof strobe light produces 80 high-intensity flashes per minute. This warning light operates on 24VDC and is unique to the market because it covers an entire range of possible mounting configurations including dome up. This light is designed for use in alarm notification systems and is compatible with fire alarm and suppression supervised control panels and power boosters.

The 24VDC FSEX features a voltage in-rush limiting PCB design that provides greater compatibility with factory automation control systems and less electrical interference with in-rush sensitive devices.

Federal Signal's Model FSEX is specifically designed for explosion-proof atmospheres and/or corrosive environments. Because it is easy to install and requires very low maintenance, it is ideal for use in areas such as oil rigs, mines, refineries, and chemical plants.

FEATURES

- Approved for mounting in any manner—including dome up
- Synchronize with SSM module
- Four lens colors: Amber, Blue, Clear and Red
- 10,000 hour strobe tube
- 3/4" NPT pendant, ceiling and wall mount options available
- Dome guard optional
- Type 4X, IP66, IP69K enclosure
- UL and cUL for Class I, Division 1, Groups C and D; Class II, Division 1, Groups E, F and G; Class I, Division 2, Groups A, B; and Class III
- Marine Rated
- CSFM Approved

MODEL	VOLTAGE	OPERATING CURRENT	FLASH RATE / MINUTE	CANDELA PEAK ²	ECP ³
FSEX-24PM * -MOD¹	24VDC	1.90 amps (3.0 amps in-rush)	80	2,000,000	850

* Indicates color: (A) Amber, (B) Blue, (C) Clear, or (R) Red

¹ See "how to order" for mounting options

² Peak candela is the maximum light intensity generated by a flashing light during its light pulse

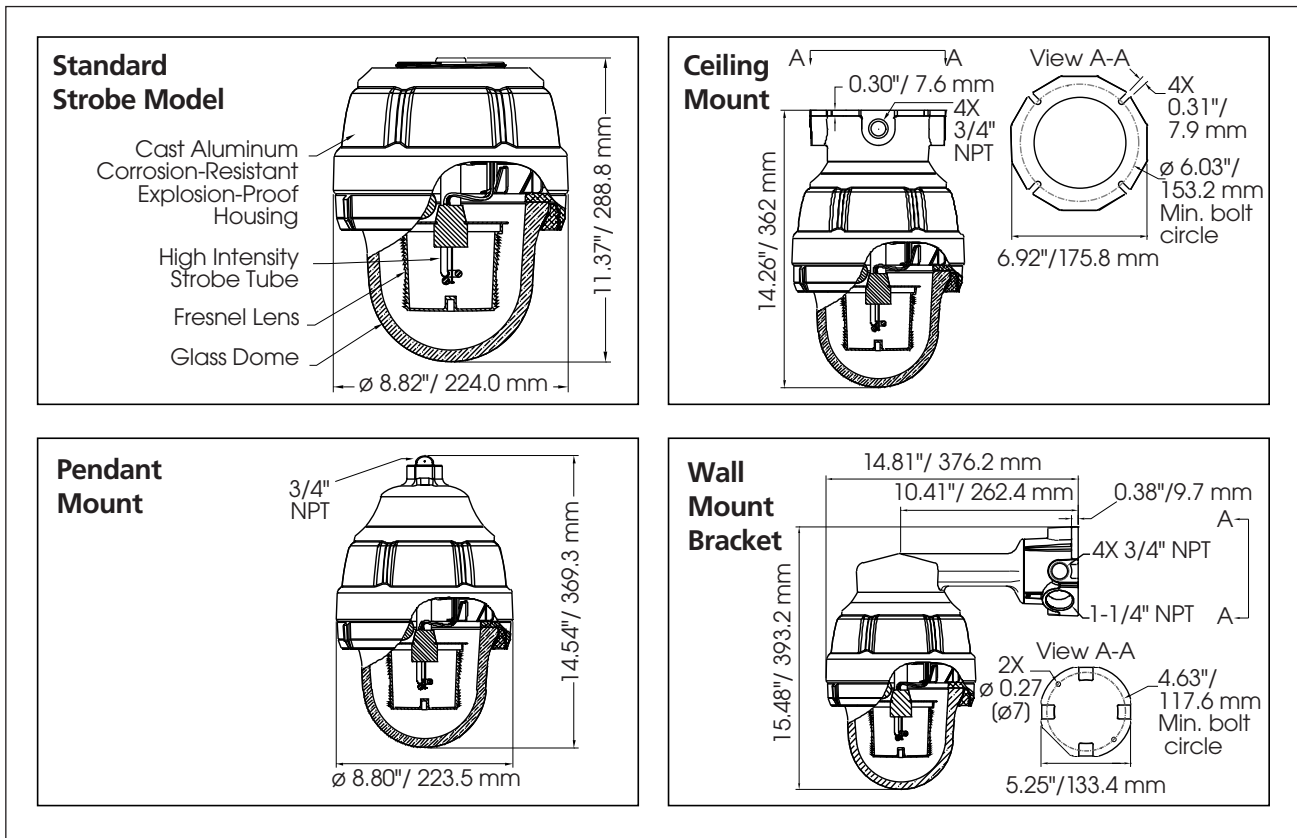
³ ECP (Effective Candela) is the intensity that would appear to an observer if the light were burning steadily

HAZARDOUS LOCATION RATING: FSEX

T-CODE AT MAXIMUM AMBIENT TEMPERATURE, °C

Hazardous Location	40°C	65°C
Class I, Division 1, Groups C, D	T6	T4A
Class I, Division 2, Groups A, B	T2	T2
Class II, Division 1, Groups E, F, G	T6	T4A
Class III	T6	T4A

Explosion-Proof Strobe Light (FSEX)



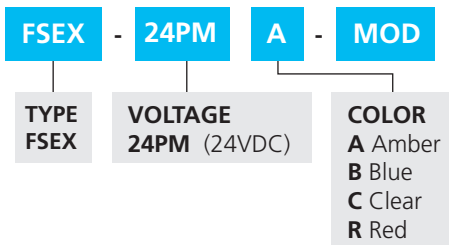
SPECIFICATIONS

Lamp Life:	10,000 Hours	
Light Source:	Strobe tube	
Operating Temperature:	-67°F to 150°F	-55°C to 65°C
Net Product Weight		
Signal without Mounting:	13.9 lbs	6.3 kg
Ceiling Mount:	4.5 lbs	2.0 kg
Pendant Mount:	2.0 lbs	0.9 kg
Wall Mount:	5.9 lbs	2.7 kg

REPLACEMENT PARTS

Description	Part Number
Exterior Dome Assembly, Red	K8436147A-01
Interior Lens Assembly, Amber	K8550C095A-02
Interior Lens Assembly, Blue	K8550C095A-01
Interior Lens Assembly, Clear	K8550C095A
Interior Lens Assembly, Red	K8550C095A-03
24VDC Mechanism	K8436107F-03
Strobe Tube	K8107159A
PC Assembly, 24VDC	K2001918B-01

HOW TO ORDER



OPTIONAL ACCESSORIES

Description	Part Number
Dome Guard	DGXC-SB
Strobe Synchronization Module	SSM

Specify Mounting:*

Description	Part Number
Ceiling Mount	CMXC-R-SB
Pendant Mount	PMXC-R-SB
Wall Mount	WMXC-4R-SB

* Mounting kit must be ordered with unit, sold separately