



► Model eHorn

## Electronic Horn

Model eHorn is an economical electronic horn capable of producing two high decibel horn tone outputs from the same unit by featuring internal amplification and tone circuitry.

The Type 4X, IP66 housing is molded from glass reinforced polycarbonate plastic, making it resistant to ultra-violet light and ideal for indoor or outdoor use.

Model eHorn can be used as a stand-alone, high output, audible warning device in any application where voice paging is not required.

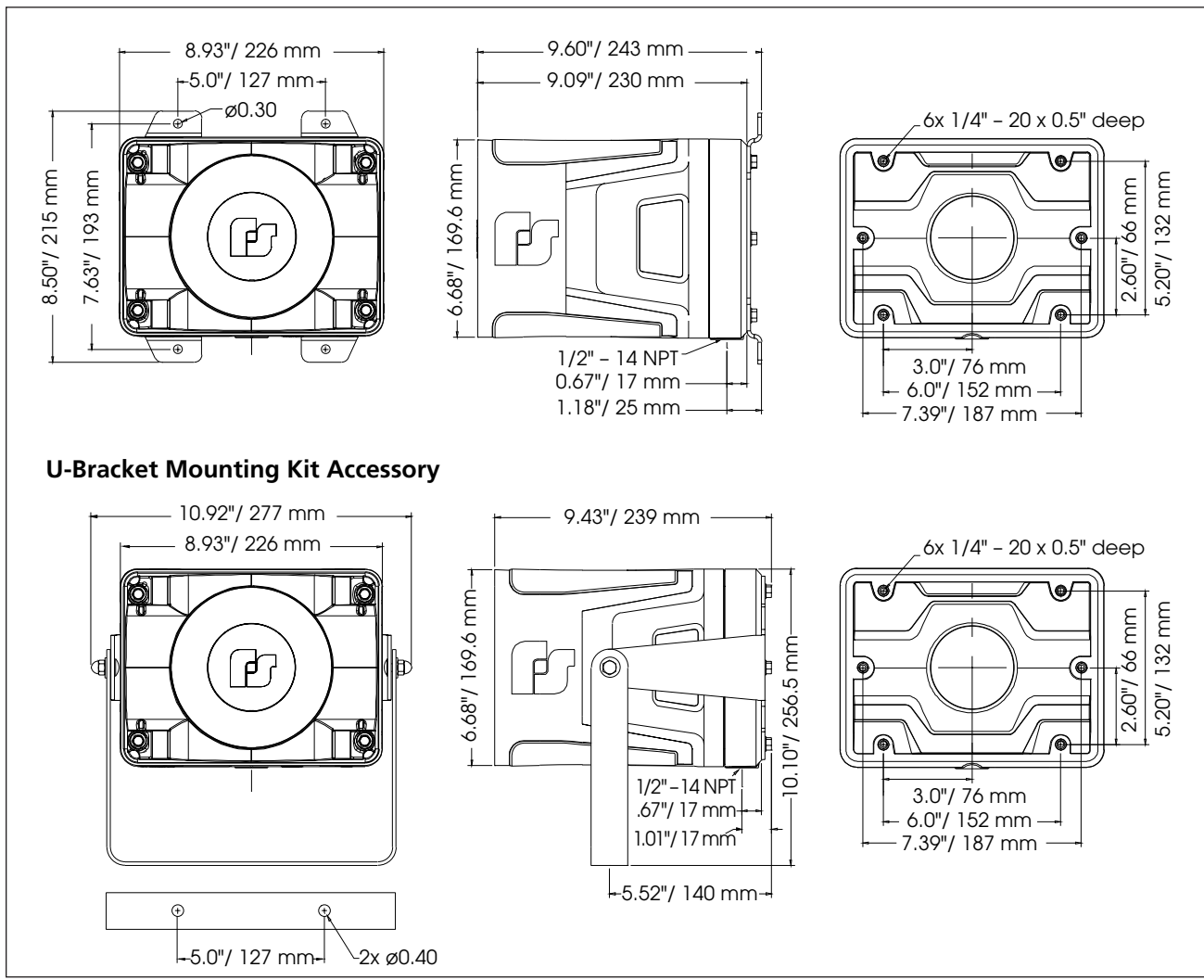
Typical applications include emergency warning, start and dismissal, general alarm and evacuation.

### FEATURES

- Multiple operating voltages 24VDC or 120/240VAC
- Produces one of two tones at three SPL (sound pressure levels)
- Replicates Federal Signal 52 & 55/56 horn tones
- Surface mount standard
- Produces 96-117 dBa @ 10' (106-127 dBa @ 1m) depending on tone and voltage
- Type 4X, IP66 enclosure
- UL and cUL Listed, Marine Rated

MODEL	VOLTAGE	52 HORN			55/56 HORN		
		OPERATING CURRENT	DECIBELS 10'	1M	OPERATING CURRENT	DECIBELS 10'	1M
<b>eHorn-024</b>	24VDC	0.4 - 3.0A	100 - 116	110 - 116	0.24 - 3.3A	96 - 117	106 - 127
<b>eHorn-120-240</b>	120VAC 50/60Hz	0.15 - 0.78A	101 - 114	111 - 124	0.10 - 0.76A	98 - 116	108 - 126
<b>eHorn-120-240</b>	240VAC 50/60Hz	0.03 - 0.40A	101 - 114	111 - 124	0.06 - 0.41A	98 - 116	108 - 126

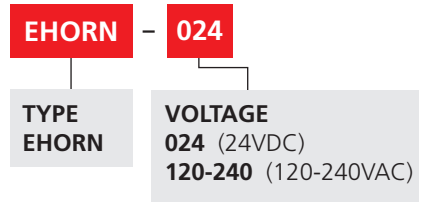
## Electronic Horn (eHorn)



### SPECIFICATIONS

Operating Temperature:	-40°F to 150°F	-40°C to 66°C
Shipping Weight:		
eHorn-024	13.8 lbs	6.5 kg
eHorn-120-240	15.8 lbs	7.2 kg
Net Weight:		
eHorn-024	11.7 lbs	5.30 kg
eHorn-120-240	13.7 lbs	6.21 kg
Height:	8.50"	215.9 mm
Width:	8.93"	226.8 mm
Depth:	9.60"	243.8 mm

### HOW TO ORDER



### OPTIONAL ACCESSORIES

Description	Part Number
U-Bracket Mounting Kit	EHORN-TKIT

