



► Model AM300X and AM302X

AudioMaster® Public Address Explosion-Proof Speakers

The Federal Signal Models AM300X and AM302X are transformer coupled, re-entrant speakers for use in public address or paging applications. These speakers feature rugged cones and projectors constructed of spun aluminum. The speaker wiring connections are enclosed in a dust- and moisture-proof, die-cast aluminum compartment. All external surfaces are sealed with a red or gray powder coat paint.

Power handling for the AM300X is 15 watt and the AM302X is rated for 30 watt. The unique shape of the speaker projectors provides a 60° sound dispersion. The entire speaker and can be swiveled 180° in order to direct sound effectively.

The AM300X and the AM302X can be used with supervised alarm notification systems or the AudioMaster® amplifiers and the AudioRouter™ to complete an industrial grade public address system.

FEATURES

- 15 watt (AM300X) or 30 watt (AM302X)
- 25 or 70 Vrms
- Transformer coupled
- Re-entrant horn design
- Heavy-duty U-bracket swivel mount
- IP65, NEMA 4X Approved
- UL Listed for Class I, Division 1, Groups B, C & D; Class I, Division 2, Group A; Class II, Division 2, Groups F & G; Class III
- CSFM Approved
- UL and cUL Listed
- UL Fire Listed

| MODEL | POWER HANDLING | FREQUENCY RESPONSE | TRANSFORMER | POWER TAPS | SPL PER 10' 1M | SPL PER 1M | SPL ON AXIS 10' | SPL ON AXIS 1M |
|-----------------|----------------|--------------------|-------------|-------------|----------------|------------|-----------------|----------------|
| AM300X-* | 15 watt | 400-4000Hz | 25/70 Vrms | 15, 7, 2, 1 | 99 dBa | 109 dBa | 106 dBa | 116 dBa |
| AM302X-* | 30 watt | 400-4000Hz | 25/70 Vrms | 30, 15, 8 | 103 dBa | 114 dBa | 112 dBa | 124 dBa |

* Indicates housing color: (-R) for Red housing, leave blank for Gray

HAZARDOUS LOCATION RATING: AM300X

T-CODE AT MAXIMUM AMBIENT TEMPERATURE, °C

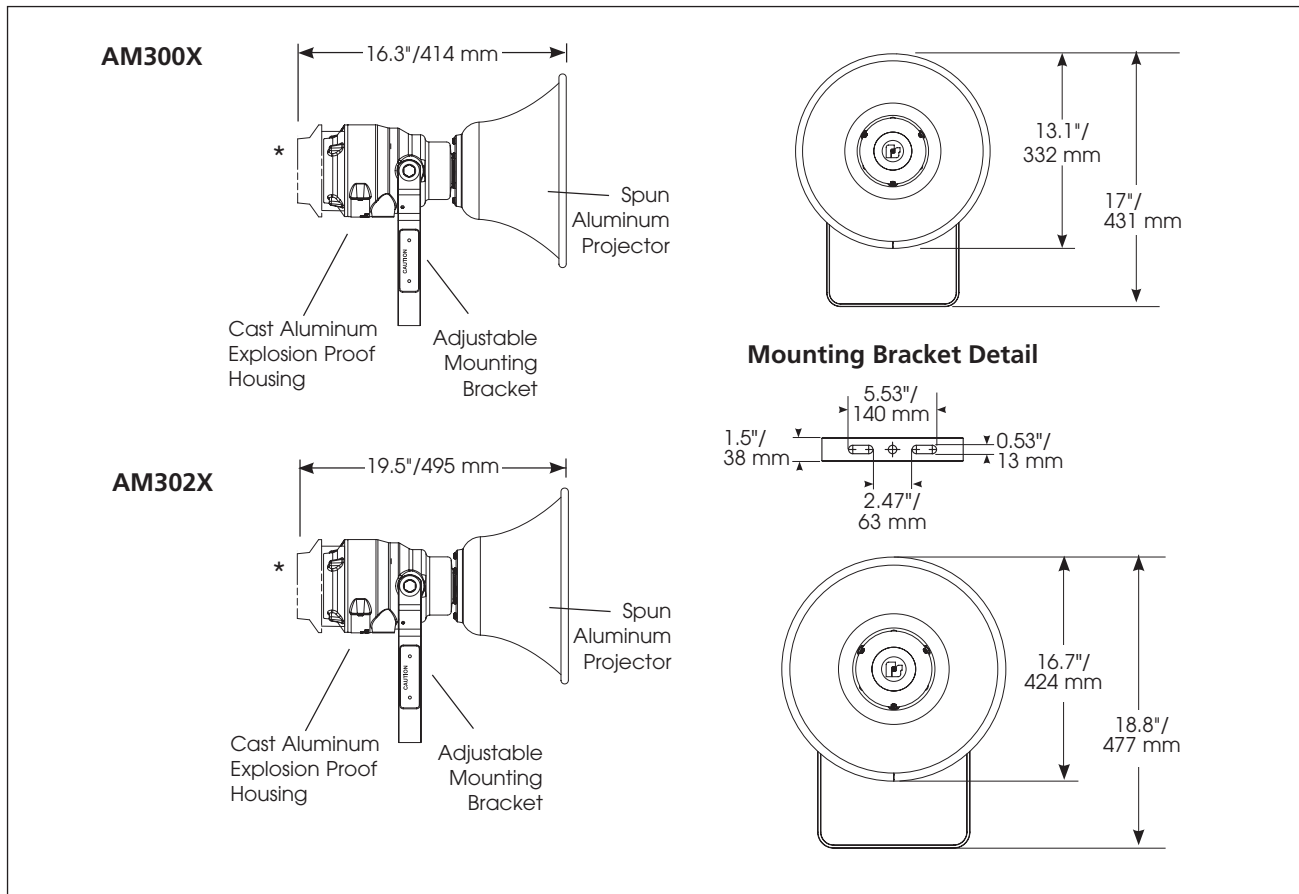
| Hazardous Location | 40°C | 66°C |
|-------------------------------------|------|------|
| Class I, Division 1, Groups B, C, D | T6 | T6 |
| Class I, Division 2, Groups A | T4A | T3C |
| Class II, Division 2, Groups F, G | T6 | T6 |
| Class III | T6 | T6 |

HAZARDOUS LOCATION RATING: AM302X

T-CODE AT MAXIMUM AMBIENT TEMPERATURE, °C

| Hazardous Location | 40°C | 66°C |
|-------------------------------------|------|------|
| Class I, Division 1, Groups B, C, D | T6 | T6 |
| Class I, Division 2, Groups A | T4A | T4A |
| Class II, Division 2, Groups F, G | T6 | T6 |
| Class III | T6 | T6 |

Explosion-Proof Amplified Speakers (AM300X and AM302X)



SPECIFICATIONS

AM300X

| | | |
|------------------|----------|-----------|
| Net Weight: | 15.7 lbs | 7.1 kg |
| Shipping Weight: | 23.1 lbs | 10.5 kg |
| Height: | 17.0" | 431.80 mm |
| Width: | 13.1" | 332.74 mm |
| Depth: | 16.3" | 414.02 mm |

AM302X

| | | |
|------------------|----------|-----------|
| Net Weight: | 17.1 lbs | 7.8 kg |
| Shipping Weight: | 33.1 lbs | 15.0 kg |
| Height: | 18.8" | 477.52 mm |
| Width: | 16.7" | 424.30 mm |
| Depth: | 19.5" | 495.30 mm |

HOW TO ORDER

AM300X - R

TYPE
AM300X (15 watt)
AM302X (30 watt)

HOUSING COLOR
R Red
BLANK Gray