

► Model 253

Vehicular Back-Up Alarms

Federal Signal's Model 253 is a unique backup alarm that samples the ambient noise levels surrounding the vehicle and adjusts its sound output automatically.

By "listening" to the surrounding sound levels, Model 253 will continuously adjust the output to provide 10 dBa (± 4) over ambient noise levels.

This self-adjusting vehicular alarm provides just the right level of audible signal required to warn employees of an approaching fork lift or tow motor.

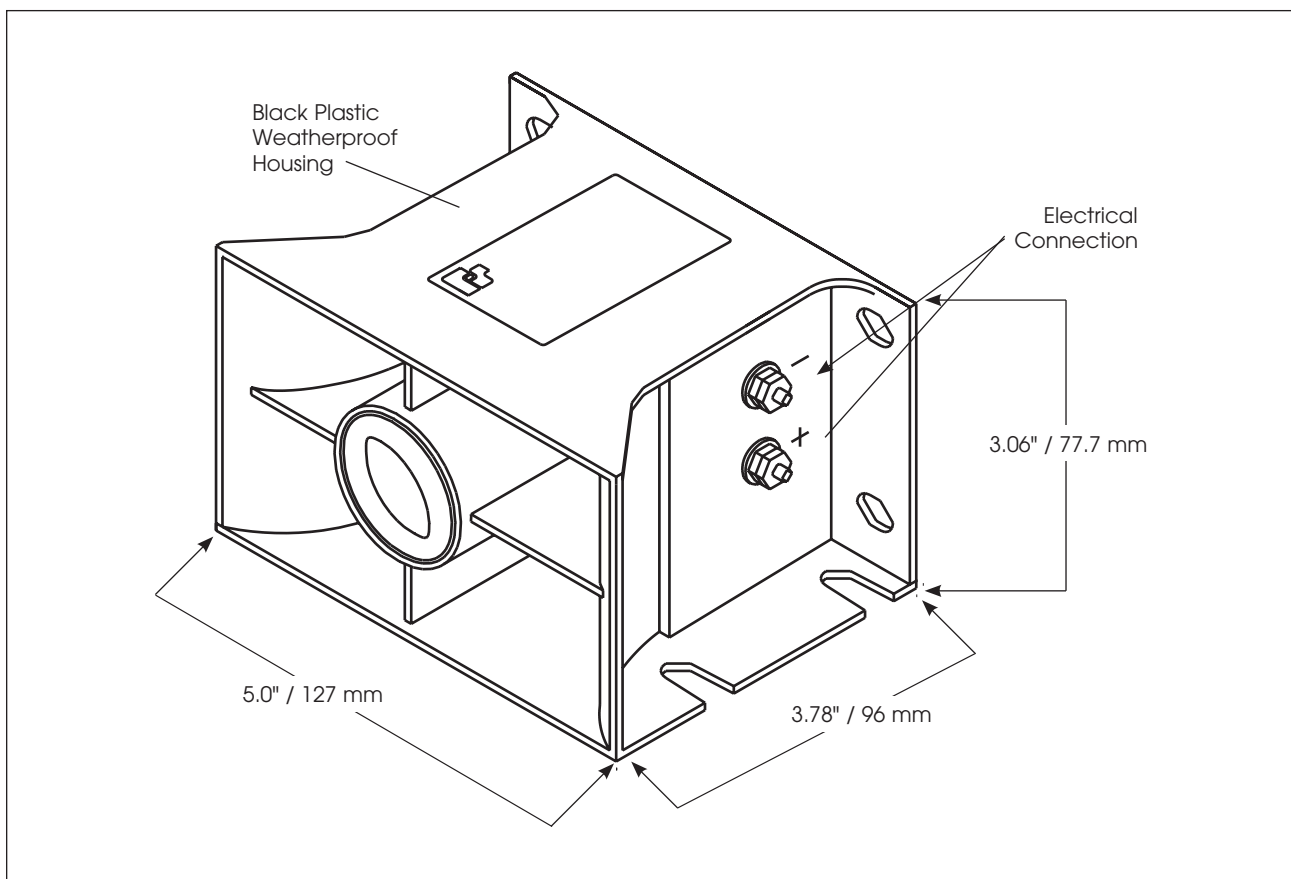
This solid state device operates on 12-48VDC vehicle system voltage. The Model 253 emits sound at 80 pulses per minute. It is polarity protected and will not operate when incorrectly wired.

FEATURES

- Operates on 12-48VDC power
- Universal mounting
- Ambient noise adjustment technology
- 80 pulse per minute
- Produces 82-107 dBa @ 4'
- Type 4X enclosure
- UL Listed
- UL 583

MODEL	VOLTAGE	OPERATING CURRENT	DECIBELS 4'
253-012-048	12VDC-48VDC	0.25 amps	82-107

Vehicular Back-Up Alarm (253)



S P E C I F I C A T I O N S

Operating Temperature:	-40°F to 185°F	-40°C to 85°C
Net Weight:	1.44 lbs	0.65 kg
Shipping Weight:	1.54 lbs	0.7 kg
Height:	3.06"	77.7 mm
Width:	5.0"	127.0 mm
Depth:	3.78"	96.0 mm

H O W T O O R D E R

Specify Model:
253-012-048 – Back-up alarm, self adjusting volume, 12-48VDC