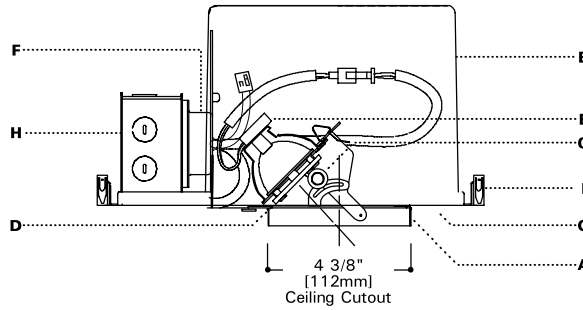


DESCRIPTION

A specification grade residential platform that accepts low voltage MR16 lamps. The platform is Air tight to prevent energy loss, room drafts, dust marks on ceilings, and reduce sound transmission. Insulation must be kept 3" away from side and top of units. A complete fixture requires two components; a P-N3MR platform, and a 3" Iris optical element. Elements may be changed after installation to provide a variety of distributions.



SPECIFICATION FEATURES

A...Frame

Hot dipped galvanized 20 Gauge steel frame with integral 1/2" plaster lip. Plaster lip has centerline notches for consistent alignment of units. Lip allows quick installation in drywall or wet plaster ceilings.

B...Housing

22 Gauge steel housing allows for heat dissipation. Housing interior is matte black to provide a visually dark interior. Platforms are shipped with overspray protector installed in aperture.

C...Adjustability

Removable lamp adjustment mechanism provides up to 45° tilt and 361° rotation and locks into any aiming position. Translating center beam optics maximize light output. Mechanism features hot aiming capability, indicator marks to ensure consistent aiming for multiple units and toolless locking for both rotation and elevation. Unit is relamped without unlocking adjustments. Elements are keyed for proper insertion. Adjustment mechanism can be removed through the aperture for maintenance from below.

D...Lens

Soft focus lens standard for smooth beam patterns. Up to two filter media can be used which are retained in position during relamping.

E...Socket

GX5.3 base for Bi-pin MR16 lamps. Back light shield keeps interior of fixture dark.

F...Transformer

Truvolt® toroidal transformer with dual-output taps for proper 12.0V operation. Dimmer tap compensates for inherent voltage loss from dimmers, resulting in 30% more lumens than traditional laminated transformers. Toroidal design, with 90% or greater efficiency, features a rolled one-piece continuous core of M3 grade grain oriented silicon steel complete with an integral thermal to protect against overheating and ensure quiet operation. For dimming, use dimmers rated for electromagnetic transformers. **Transformer is war-**

anted for 5 years and is serviceable from below ceiling.

Note: If a dimming system is operated for construction lighting in its "shunt" mode, i.e. bypassing the dimmer modules, for an extended period of time, fixtures with the dual-tap toroidal transformer should be operated on the "Switched Fixture" output until the dimmers are in use. Operating fixtures on the "Dimmed Fixture" output with a full 120v input for an extended period will overdrive the lamp and cause shortened lamp life.

G...Gaskets

Closed cell gaskets provide Air tight installation without caulking of aperture. Unit is Air tight without Element installed.

H...Junction Box

18 cubic inches, listed for 4#12 AWG or 6#14 AWG 90° C additional feed through conductors, has three 1/2 inch pryouts.

I...Bar Hangers

No Flex® bar hangers shipped with platform. Hangers are captive and feature set screws to provide positive horizontal locking. Bars span up to 22.5" for 24"o.c. spacings of wood, engineered wood and steel frame joists. Nailless barb and locator lip provide consistent installation height. For installation in T-bar ceilings order accessory MBCLP.

J...Codes

Thermally protected, IP labeled. Unit is airtight and exchanges less than 2.0 CFM with the plenum at a pressure of 75 pascals. Insulation must be kept three inches away from fixture sides and none on top as to entrap heat.

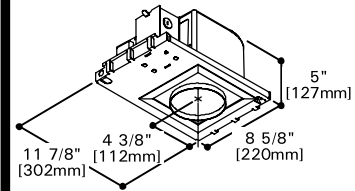
K...Labels

UL and cUL listed, standard damp label, wet listed with specific elements, IBEW union made. Installation instructions included with every unit.

PN3MR

71W MR16

**3" NON-IC
LOW VOLTAGE
PLATFORM**



ENERGY DATA

120V Input		
Lamp Watts	Input Watts	Operating Current
20	23	.19
35	41	.34
37	42	.35
42	47	.39
50	57	.48
65	70	.58
71	77	.64
75	81	.68

ORDERING INFORMATION

Platform

PN3MR

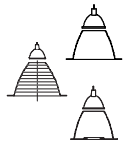
PN3MR = 3"
Airtight
Non-IC
Low
Voltage
Housing

Separate Accessories

MBCLP = Push On T Bar Clips (For 10 Units)
MRSKT = Replacement MR16 Socket, With
Lamp Shield And Keyed Quick
Connect
PLE3 = Plaster Lip Extension For Max 2"
Thick Ceiling
FMC3 = Flush Mount Collar

DOWNLIGHT

COMPLETE FIXTURE = PLATFORM + ELEMENT



MR16 ¹ (71W maximum)		
50° Cutoff Reflector	PN3MR	E3MR_
50° Cutoff Baffle	PN3MR	E3MRBB
1 1/4" Downlight Pinhole	PN3MR	E3DNPIN

WALL WASH

COMPLETE FIXTURE = PLATFORM + ELEMENT



Lensed MR ¹ (71W maximum)		
Lensed Wall Wash	PN3MR	E3LWW_

ADJUSTABLE ACCENT

COMPLETE FIXTURE = PLATFORM + ELEMENT



MR16 ¹ (71W maximum)		
Slot Cut Reflector	PN3MR	E3SLOT_
Angle Cut Reflector	PN3MR	E3AA_
Angle Cut Baffle	PN3MR	E3AABB



Shallow Angle Cut Reflector	PN3MR	E3AA20_
-----------------------------	-------	---------



MR16 ¹ (71W maximum)		
1 1/4"	PN3MR	E3PIN
2" Adjustable Pinhole	PN3MR	E3PIN LARGE
2" Adjustable Pinhole with Radius Edge	PN3MR	E3PINRD
2" Oval	PN3MR	E3PIN OVAL



MR16 ¹ (71W maximum)		
SUPER ADJUSTABLE 15° - 75°	PN3MR	E3SA

SHOWER/LENSED

COMPLETE FIXTURE = PLATFORM + ELEMENT



Adjustable MR ^{1,2} (71W maximum)		
Wet Location Angle Cut Reflector	PN3MR	E3AASR_
Wet Location 2" Adjustable Pinhole (42W Max.)	PN3MR	E3AASRPIN



Downlight MR ^{1,2} (71W maximum)		
Wet Location 50° Cutoff Reflector	PN3MR	E3SR_

ORDERING INFORMATION

E-3SA is painted white, other finishes are B or RAW.

Note: All finishes are not available for all units. Consult individual specification sheets for further information.

All elements come with a white, removable die-cast flange ring. For alternatives, add appropriate flange code to the end of your unit number.

Note: Self flange is not available on baffles, pinholes or E-3SA.

OPTIONS**Finishes**

C = Clear
 BB = Black Baffle
 H = Haze
 WB = White Baffle
 G = Gold
 WMH = Warm Haze
 B = Black
 W = Gloss White Paint
 MW = Matte White

Custom Finishes

K = Cognac
 KH = Cognac Haze
 CC = Chocolate
 CCH = Chocolate Haze
 GP = Graphite
 GPH = Graphite Haze

Flanges

Blank = Matte white die-cast flange ring, removable for field painting
 SF = Self Flange
 RAW = Raw Cast Ring
 SFWF = Self Flange Painted White
Pinhole Finishes
 BLANK = White with black occulus
 W = White with white occulus
 POL = Polished aluminum with black occulus
 SAL = Satin aluminum with black occulus
 RAW = Raw die cast with black occulus

1. For Remote Transformer order P3MR-REMOTE (Transformer not included)
 2. Wet listed.

Note: Specifications and Dimensions subject to change without notice.

Visit our web site at www.cooperlighting.com