

**DESCRIPTION**

Specification grade 50 watt PAR20 adjustable fixture rated for direct contact with insulation. Adjustment mechanism features hot aiming capability, aiming marks and toolless locking. Optics provide glare free 50° cutoff to lamp and lamp image. Accommodates PAR20, PAR16 and R20 lamps. Optical element can be changed after installation to provide a variety of distributions. e.g. into a downlight.

<b>Catalog #</b>		<b>Type</b>
<b>Project</b>		
<b>Comments</b>		<b>Date</b>
<b>Prepared by</b>		

**SPECIFICATION FEATURES**

**A ... Reflector**

.040 thick aluminum spun parabolic reflector in Clear, Gold, Haze, Warm Haze, Black Alzak® finish, painted gloss white or matte white. Special cone colors listed below. E3AA20 recommended for ceilings over 7/8" thick.

**B ... Flange**

Self flange reflector or die-cast flange with either matte white or clear coat finish. Die-cast flanges are easily removed for field painting. Elements are keyed for proper insertion.

**C ... Adjustability**

Lamp locks in 361° rotation, 35° tilt. Unit is relamped without unlocking adjustments. Translating centerbeam optics maximize light output.

**D ... Attachment**

Positive torsion springs pull flange tight to ceiling. Mechanical light trap eliminates spill light at edge of flange or reflector.

**E ... Socket**

Nickel plated porcelain socket. Two position socket ensures consistent lamp position.

**F ... Frame/Housing**

Hot dipped galvanized 20 gauge steel frame with built in 1/2 inch plaster lip. Aluminum .032 thick housing allows for heat dissipation and reduces weight. Matte black housing interior.

**G ... Junction Box**

18 cubic inches, listed for 4#12 AWG or 6#14 AWG 90° C additional feed through conductors, has six 1/2 inch pryouts.

**H ... Bar Hangers**

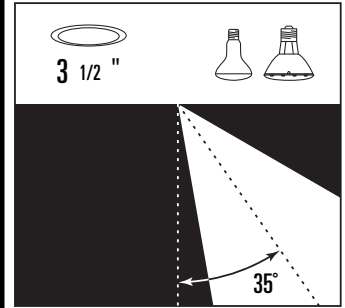
No Flex® bar hangers with positive locking, for use with wood, engineered wood and steel frame joists spaced up to 24" O.C. shipped with platform. For use in T-bar ceilings order accessory MBCLP clips. Nailless barb and locator lip provide consistent installation height.

**I ... Codes**

Thermally protected, IP labeled, for use in direct contact with insulation. Meets Washington State Air tight requirements, 1995 CABO Model Energy Code.

**J ... Labels**

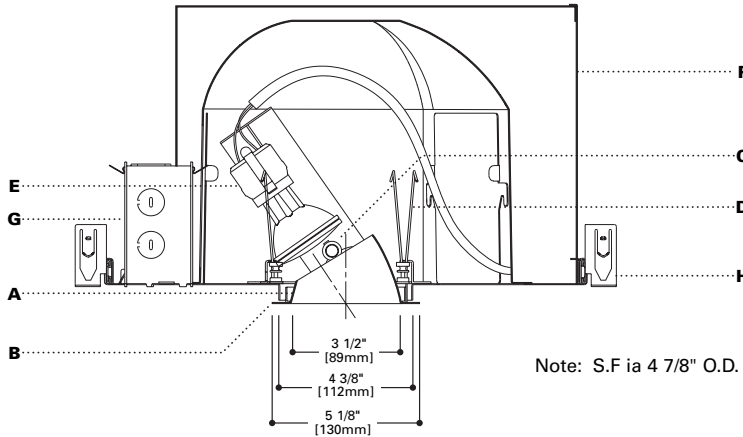
UL and cUL listed, standard damp label, IBEW union made.



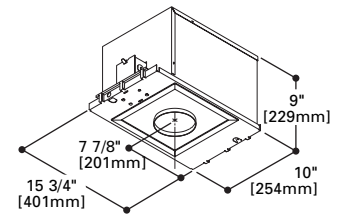
**P3120  
E3AA**

50W PAR20  
60W PAR16  
50W R20

**3" ADJUSTABLE  
ACCENT**



Note: S.F ia 4 7/8" O.D.

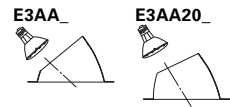


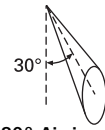
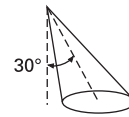
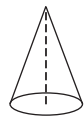
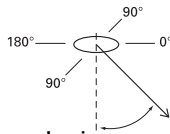
Ceiling Cutout  
4 3/8" [112mm]

**ORDERING INFORMATION - Complete unit consists of a platform and element**

Platform	Optical Element	Finish	Flange	Accessories
<b>P3</b>				
<b>P3120= 3" Airtight IC Rated Housing</b>	<b>E3AA = PAR/R Adjustable Accent 0° - 35°</b> <b>E3AA20= PAR/R Adjustable Accent 0° - 20°</b>	<b>C=Clear</b> <b>H=Haze</b> <b>G=Gold</b> <b>WMH=Warm Haze</b> <b>MW= Matte White</b> <b>W=Gloss White</b>	<b>K=Cognac</b> <b>KH=Cognac Haze</b> <b>CC=Chocolate</b> <b>CCH=Chocolate Haze</b> <b>GP=Graphite</b> <b>GPH=Graphite Haze</b> <b>B=Black</b>	<b>Blank= White die-cast</b> <b>SF= Self-Flange Die-cast</b> <b>RAW=Natural Die-cast</b> <b>SFWF= Self Flange painted White</b> <b>MBCLP = 40 Push On T Bar Clips (for 10 Units)</b> <b>PLE3 = Plaster Lip Extension for Max 2" Thick Ceiling</b> <b>FMC3 = Flush Mount Collar</b>

For additional options, please consult factory. Matte white is recommended for self-flanged reflectors





Lamp	Luminance cd/m <sup>2</sup> @ Maximum Tilt			0° Aiming Angle Horizontal Footcandles				30° Aiming Angle Horizontal Footcandles				30° Aiming Angle Vertical Footcandles					
	Degree	@ 180°	@ 90°	D	FC	L	W	D	FC	L	W	CB	D	FC	L	W	CB
<b>GE 50PAR20/H/SP10</b> Lumens: 570 10° x 10° CBCP: 6000	85°	0	0	6'	157	0.9	0.9	6'	95	1.4	1.0	3.5	2'	195	1.1	0.6	3.5
	75°	0	0	8'	88	1.2	1.2	8'	54	1.9	1.3	4.6	3'	86	1.6	0.9	5.2
	65°	0	0	10'	57	1.5	1.5	10'	34	2.3	1.6	5.8	4'	49	2.2	1.2	6.9
	55°	0	281	12'6"	36	1.9	1.9	12'6"	22	2.9	2.0	7.2	5'	31	2.7	1.5	8.7
	45°	228	228	Test # H21284				Test # H21285				Test # H21285					
Test # H21285																	
<b>PH 60PAR16/HAL/NSP10</b> Lumens: 580 10° x 10° CBCP: 5700	85°	1848	1848	6'	145	1.1	1.1	6'	70	2.2	1.5	0	2'	136	1.6	0.8	0
	75°	0	0	8'	82	1.5	1.5	8'	39	3.0	2.0	0	3'	60	2.3	1.3	0
	65°	0	0	10'	52	1.8	1.8	10'	25	3.7	2.5	0	4'	34	3.1	1.7	0
	55°	0	281	12'6"	34	2.3	2.3	12'6"	16	4.7	3.1	0	5'	22	3.9	2.1	0
	45°	0	228	Test # H21286				Test # H21287				Test # H21287					
Test # H21287																	
<b>PH 60PAR16/HAL/NFL27</b> Lumens: 580 27° x 27° CBCP: 2000	85°	0	0	6'	60	2.2	2.2	6'	37	2.9	2.7	0	2'	108	1.7	1.2	0
	75°	0	622	8'	34	3.0	3.0	8'	21	3.9	3.6	0	3'	48	2.5	1.9	0
	65°	0	381	10'	22	3.7	3.7	10'	13	4.9	4.5	0	4'	27	3.4	2.5	0
	55°	0	281	12'6"	14	4.7	4.7	12'6"	8	6.1	5.6	0	5'	17	4.2	3.1	0
	45°	228	228	Test # H21288				Test # H21289				Test # H21289					
Test # H21289																	

NOTES AND DEFINITIONS

**Luminance** : To convert cd/m<sup>2</sup> to footlamberts, multiply by 0.2919

• Beam spread is to 50% center beam candlepower (CBCP).

D=Distance to floor or wall.

FC=Footcandles on floor or wall at center beam aiming location.

L=Effective Visual Beam length in feet (50% of maximum footcandle level.)

W=Effective Visual Beam width in feet (50% of maximum footcandle level.)

CB=Distance across or down to center beam location.

IRiS believes that bare lamp data photometrics vastly overstate the performance of adjustable accent fixtures. The "real world photometrics" shown here are from off the shelf lamps in fixtures and operated at 120.0 volts. Please see page 64 & 65 of the IRiS catalog for further discussion and appropriate correction multipliers.

