

AUX Series
Universal Edge-Lit - NYC Compliant

AtLite



Cooper Lighting
by **EAT•N**



Universal Mount Edge-Lit Exit Sign

- All mounting options included with the base unit
 - Surface ceiling
 - Surface wall
 - End
 - Recessed wall
 - Recessed Ceiling
- All panel options included as standard
 - Single or double-sided
 - Clear, mirror or white background
 - Chevron arrows
- Halo® Got Nail® hangar bars for recessed or T-grid installations
- EagleEye™ self-diagnostics are standard
- Aluminum housing available with a variety of finishes
 - Brushed aluminum
 - White
 - Black
- Maintenance-free nickel cadmium battery with fifteen-year pro-rated warranty
- NYC compliant, UL 924 listed
- Dual voltage input 120/277 VAC, 60 Hz
- Five-year warranty

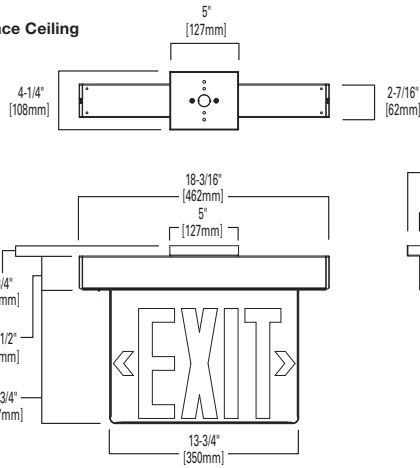
Ordering Information

SAMPLE NUMBER: AUXSWHSD

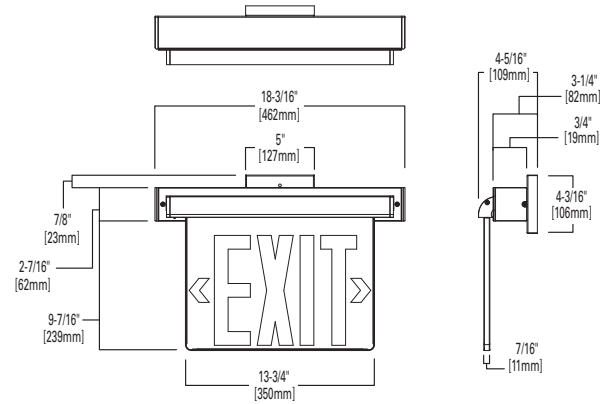
Series	Finish	SD
AUXA=AC only LED AUXS=Self Powered LED AUXFAI=Fire Alarm Interface Module	_ =Brushed Aluminum WH=White BK=Black	_ =None (AC Only) SD=Self Diagnostics (Self Powered)

Dimensions

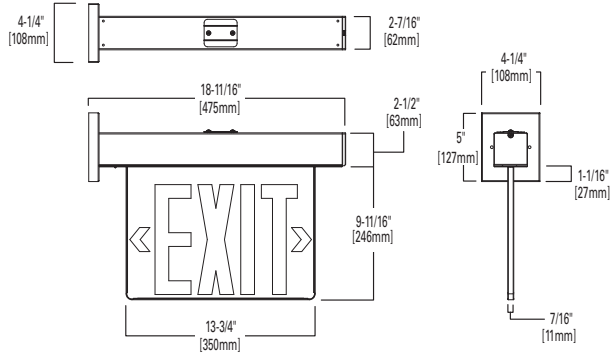
Surface Ceiling



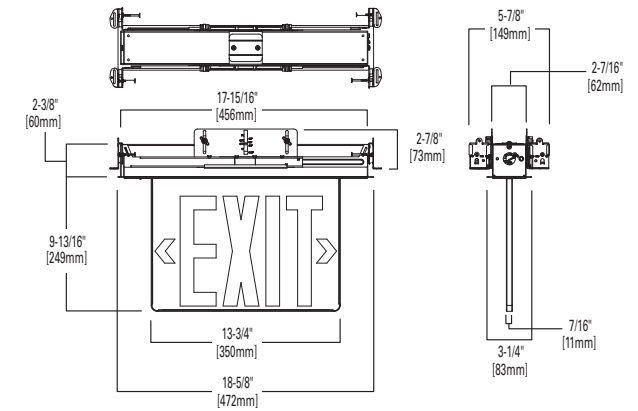
Surface Wall



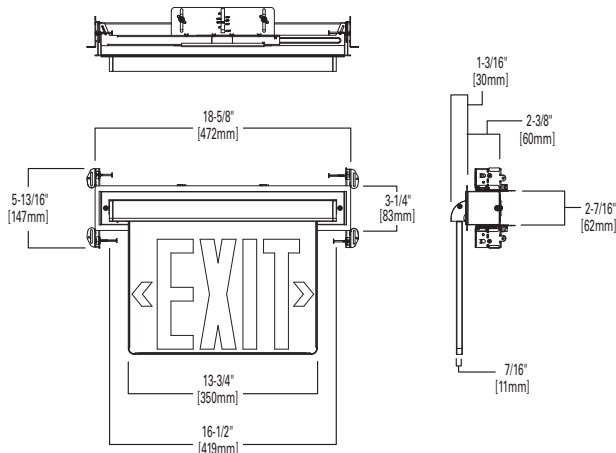
End



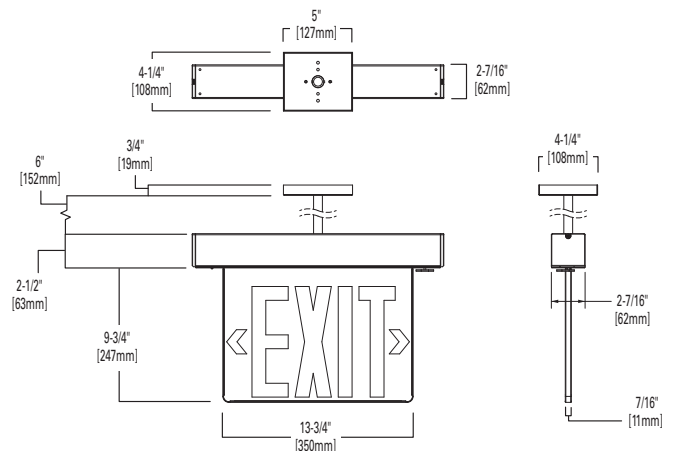
Ceiling



Recessed Wall



With Optional 6" Pendant Kit



Eaton's Cooper Lighting Business

Headquarters
1121 Highway 74 South
Peachtree City, GA 30269
P: 770-486-4800
www.cooperlighting.com

Canada Sales

5925 McLaughlin Road
Mississauga, Ontario L5R 1B8
P: 905-501-3000
F: 905-501-3172

Our Lighting Product Brands

Halo
Halo Commercial
Portfolio
IRiS
RSA
Metalux
Corelite
Neo-Ray
Fail-Safe
MWS
Ametrix
Shaper
io
Lumark
McGraw-Edison
Invue
Lumière
Streetworks
AtLite
Sure-Lites

Our Controls Product Brands

Greengate
iLumin
Zero 88
Fifth Light Technology
iLight (International Only)