

COOPER LIGHTING - ALL PRO®

DESCRIPTION

APHL series is ideal for industrial or retail applications. Optical designs provide ideal performance from either T5 or T8 lamps. Uplight component produces excellent ceiling uniformity. APHL's high lumen package allows the benefits of fluorescent to be applied at high mounting heights that were traditionally exclusive to H.I.D. Benefits include exceptional color rendering, high system efficacy, long lamp life, instant on/instant re-strike, and uniform APHL applications include retail, shopping malls, light industrial and recreational environments.

| | | |
|--------------------|--|-------------|
| Catalog # | | Type |
| Project | | |
| Comments | | Date |
| Prepared by | | |

SPECIFICATION FEATURES

Construction

Channel and end plates are constructed of die formed cold rolled steel. The channel provides strength, numerous KO's for easy installation, and excellent thermal dissipation without any special or proprietary components.

Electrical

Equipped with either high performance T8 - high ballast factor or T5HO - energy efficient T5 - high output ballast. Twist-lock lampholders. UL/cUL for all lamp and ballast combinations listed. Suitable for damp locations.

Finish

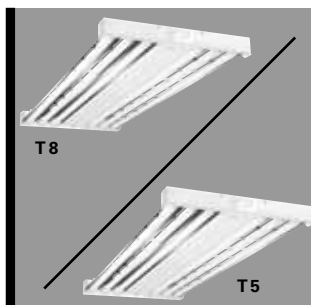
Electrostatically applied baked white enamel finish.

Optics

Die formed, segmented optical design optimizes performance across two distributions. Optical choices include a narrow distribution for aisles and loading areas, or wide distribution for general, open area lighting. Uplight is provided to permit ceiling uniformity and allow for ample lamp and luminaire heat dissipation.

Mounting

All-Pro APHL products do not include V-hanger. Y-toggle hanger can be used for mounting.



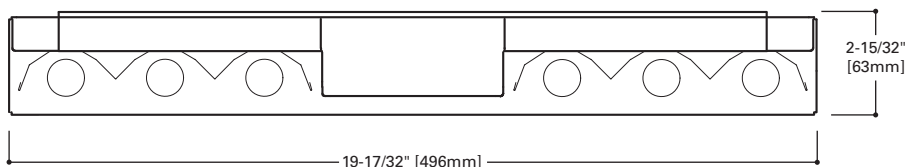
APHL SERIES

4 OR 6 T8 LAMPS

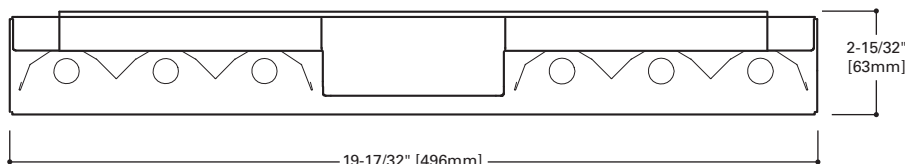
4 OR 6 T5HO LAMPS

High-Bay Industrial
Open Luminaire

T8



T5



SHIPPING INFORMATION

| Catalog Number | Product Description | Wattage | UPC |
|----------------------|--|---------|--------------|
| APHL-432-SN-UPL | 48" HIGH BAY, 4 LAMP,T8, NARROW DISTRIBUTION HIGH BAY | 32W | 080083622191 |
| APHL-432-SW-UPL | 48" HIGH BAY, 4 LAMP,T8, WIDE DISTRIBUTION HIGH BAY | 32W | 080083622207 |
| APHL-454-SN-UPL | 48" HIGH BAY, 4 LAMP,T5HO, NARROW DISTRIBUTION HIGH BAY | 54W | 080083622238 |
| APHL-454-SW-UPL-L850 | 48" HIGH BAY, 4 LAMP,T5HO, WIDE DISTRIBUTION HIGH BAY W/ 850 LAMPS | 54W | 080083622245 |
| APHL-632-SN-UPL | 48" HIGH BAY, 6 LAMP,T8, NARROW DISTRIBUTION HIGH BAY | 32W | 080083622214 |
| APHL-632-SW-UPL | 48" HIGH BAY, 6 LAMP,T8, WIDE DISTRIBUTION HIGH BAY | 32W | 080083622221 |
| APHL-654-SN-UPL | 48" HIGH BAY, 6 LAMP,T5HO, NARROW DISTRIBUTION HIGH BAY | 54W | 080083622252 |
| APHL-654-SW-UPL-L850 | 48" HIGH BAY, 6 LAMP,T5HO, WIDE DISTRIBUTION HIGH BAY W/ 850 LAMPS | 54W | 080083622269 |

| Catalog Number | WGT. | Pallet Qty. |
|----------------------|-------|-------------|
| APHL-432-SN-UPL | 15.44 | 34 |
| APHL-432-SW-UPL | 15.44 | 34 |
| APHL-454-SN-UPL | 15.44 | 34 |
| APHL-454-SW-UPL-L850 | 16.82 | 34 |
| APHL-632-SN-UPL | 15.48 | 34 |
| APHL-632-SW-UPL | 15.48 | 34 |
| APHL-654-SN-UPL | 15.48 | 34 |
| APHL-654-SW-UPL-L850 | 16.86 | 34 |

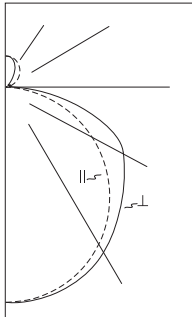
LAMPS CONTAIN MERCURY. DISPOSE ACCORDING TO LOCAL, STATE OR FEDERAL LAWS

LINEAR DISCONNECT

Safe and convenient means of disconnecting power.



PHOTOMETRICS



APHL 632
Wide Distribution
 (2) Electronic Plus Ballasts
 (6) F32T8/835 32WT8 lamps, 3100 lumens
 Spacing criterion:
 (II) 1.3 x mounting height, (L) 1.3 x mounting height
 Efficiency 90.5%
 Test Report:
 APHL-G32-SN-UPLIES

Candela

| Angle | Along II | 45° | Across L |
|-------|----------|------|----------|
| 0 | 4685 | 4685 | 4685 |
| 5 | 4663 | 4674 | 4692 |
| 10 | 4608 | 4631 | 4654 |
| 15 | 4512 | 4555 | 4594 |
| 20 | 4380 | 4446 | 4503 |
| 25 | 4209 | 4303 | 4374 |
| 30 | 4000 | 4121 | 4203 |
| 35 | 3762 | 3909 | 4000 |
| 40 | 3492 | 3658 | 3774 |
| 45 | 3195 | 3377 | 3562 |
| 50 | 2870 | 3081 | 3354 |
| 55 | 2527 | 2785 | 3150 |
| 60 | 2165 | 2500 | 2962 |
| 65 | 1781 | 2230 | 2707 |
| 70 | 1384 | 1985 | 2246 |
| 75 | 975 | 1569 | 1685 |
| 80 | 569 | 1025 | 1107 |
| 85 | 200 | 500 | 566 |
| 90 | 3 | 111 | 177 |

Coefficients of Utilization

| rc | Effective floor cavity reflectance | | | | | | | | | | | | | | | | | | |
|------------|------------------------------------|-----|-----|-----|-----|-----|-----|-----|----|-----|----|----|-----|----|----|----|----|----|----|
| | 80% | | | 70% | | | 50% | | | 30% | | | 10% | | | 0% | | | |
| | 70 | 50 | 30 | 10 | 70 | 50 | 30 | 10 | 50 | 30 | 10 | 50 | 30 | 10 | 50 | 30 | 10 | 0 | |
| RCR | | | | | | | | | | | | | | | | | | | |
| 0 | 106 | 106 | 106 | 106 | 103 | 103 | 103 | 103 | 97 | 97 | 97 | 97 | 91 | 91 | 91 | 86 | 86 | 86 | 83 |
| 1 | 96 | 91 | 87 | 83 | 93 | 88 | 84 | 81 | 83 | 80 | 77 | 78 | 76 | 73 | 74 | 72 | 70 | 68 | 68 |
| 2 | 86 | 78 | 72 | 66 | 83 | 76 | 70 | 65 | 72 | 67 | 62 | 68 | 63 | 60 | 64 | 60 | 57 | 55 | 55 |
| 3 | 78 | 68 | 60 | 54 | 75 | 66 | 59 | 53 | 62 | 56 | 51 | 59 | 54 | 50 | 56 | 52 | 48 | 46 | 46 |
| 4 | 71 | 60 | 52 | 45 | 69 | 58 | 51 | 45 | 55 | 49 | 43 | 52 | 47 | 42 | 49 | 45 | 41 | 38 | 38 |
| 5 | 65 | 53 | 45 | 39 | 63 | 52 | 44 | 38 | 49 | 42 | 37 | 47 | 41 | 36 | 44 | 39 | 35 | 33 | 33 |
| 6 | 60 | 48 | 40 | 34 | 58 | 47 | 39 | 33 | 44 | 37 | 32 | 42 | 36 | 31 | 40 | 35 | 31 | 28 | 28 |
| 7 | 56 | 43 | 35 | 29 | 54 | 42 | 34 | 29 | 40 | 33 | 28 | 38 | 32 | 28 | 36 | 31 | 27 | 25 | 25 |
| 8 | 52 | 39 | 31 | 26 | 50 | 38 | 31 | 26 | 37 | 30 | 25 | 35 | 29 | 25 | 33 | 28 | 24 | 22 | 22 |
| 9 | 48 | 36 | 28 | 23 | 47 | 35 | 28 | 23 | 34 | 27 | 23 | 32 | 26 | 22 | 31 | 25 | 22 | 20 | 20 |
| 10 | 45 | 33 | 26 | 21 | 44 | 32 | 26 | 21 | 31 | 25 | 20 | 30 | 24 | 20 | 28 | 23 | 20 | 18 | 18 |

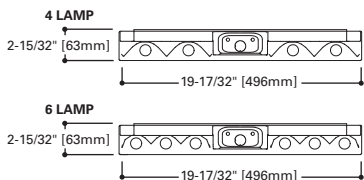
Zonal Lumen Summary

| Zone | Lumens | %Lamp | %Fixture |
|-------|--------|-------|----------|
| 0-30 | 3714 | 20.0 | 22.1 |
| 0-40 | 6154 | 33.1 | 36.6 |
| 0-60 | 11290 | 60.7 | 67.1 |
| 0-90 | 15508 | 83.4 | 92.1 |
| 0-180 | 16834 | 90.5 | 100.0 |

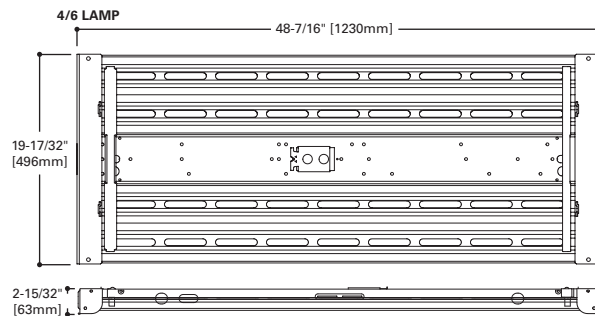
Luminance Data

| Angle in Deg | Average 0-Deg cd/sm | Average 45-Deg cd/sm | Average 90-Deg cd/sm |
|--------------|---------------------|----------------------|----------------------|
| 45 | 7432 | 7855 | 8286 |
| 55 | 7247 | 7987 | 9033 |
| 65 | 6932 | 8679 | 10536 |
| 75 | 6196 | 9971 | 10708 |
| 85 | 3774 | 9436 | 10682 |

LAMP CONFIGURATIONS



DIMENSION TOP VIEW



For complete product data, reference the Fluorescent Specification binder. Specifications & dimensions subject to change without notice. Consult your Cooper Lighting Representative for availability and ordering information.