

DESCRIPTION

Metal Baffle trim for Halo 4" H99 incandescent family, Halo 4" H470 and H471 CFL family of recessed housings. Baffle and die cast trim ring are available in a variety of finishes. Three "cat's paw" springs secure trim in housing.

SPECIFICATION FEATURES

Die cast aluminum trim ring available in Matte White, Satin Nickel, Antique Copper or Tuscan Bronze finishes. Reflector available in White, Black, Satin Nickel, Antique Copper or Tuscan Bronze. Three pressure springs ensure positive retention in housing.

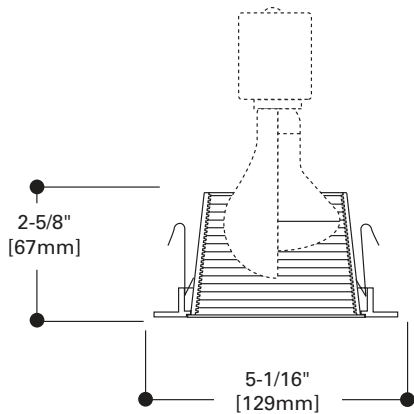
953 is designed for use with the following 4" small aperture housings.

- Line Voltage Housings:

- H99TAT - 40W R16, 50W R20, 50W PAR20
- H99RTAT - 40W R16, 50W R20, 50W PAR20
- H99ICAT - 30W R20, 35W PAR20
(50W PAR20 with H1999 socket extender)

- Compact Fluorescent Housing

- H470ICAT - 13W Triple Twin Tube, 4-pin CFL
- H470RICAT - 13W Triple Twin Tube, 4-pin CFL
- H471ICAT - 18W Triple Twin Tube, 4-pin CFL
- H471RICAT - 18W Triple Twin Tube, 4-pin CFL



Trim

- 953P = Black Baffle, Matte White Trim Ring
- 953W = White Baffle, Matte White Trim Ring
- 953SN = Satin Nickel Baffle, Satin Nickel Trim Ring
- 953AC = Antique Copper Baffle, Antique Copper Trim Ring
- 953TBZ = Tuscan Bronze Baffle, Tuscan Bronze Trim Ring

Accessory

H1999

Socket Extender



Catalog #		Type
Project		
Comments		Date
Prepared by		



953W
White Trim with White Baffle



953P
White Trim with Black Baffle



953SN
Satin Nickel Trim with
Satin Nickel Baffle



953AC
Antique Copper Trim with
Antique Copper Baffle



953TBZ
Tuscan Bronze Trim with
Tuscan Bronze Baffle

953 Baffle Trim

4" TRIMS

Note: Specifications and Dimensions subject to change without notice.

Visit our web site at www.cooperlighting.com

Customer First Center 1121 Highway 74 South Peachtree City, GA 30269 770.486.4800 FAX 770.486.4801
Cooper Lighting 5925 McLaughlin Rd. Mississauga, Ontario, Canada L5R 1B8 905.507.4000 FAX 905.568.7049

ADV110508
rev 5/25/2011