

Valueline Series

Economical Undercabinets

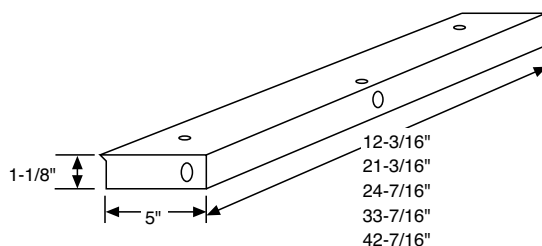
SL Features

- All units include electrical fitting to accept flexible conduit or romex.
- Rocker type switch and grounded convenience outlet supplied standard.
- Electronic ballast offers quiet efficient operation.
- T5 preheat lamp included.
- Available in 120V only.
- UL listed.

SL Product Availability

Catalog Number	Lamp(s)	Nominal Length
SL18-120-EB-LP	1-8W	12-1/4"
SL113-120-EB-LP	1-13W	21-1/4"
SL28-120-EB-LP	2-8W	24-1/2"
SL281-120-EB-LP	1-8W/1-13W	33-1/2"
SL213-120-EB-LP	2-13W	42-1/2"

Dimensions



SL



Valueline SL is an economical T5 undercabinet luminaire with electronic ballast.

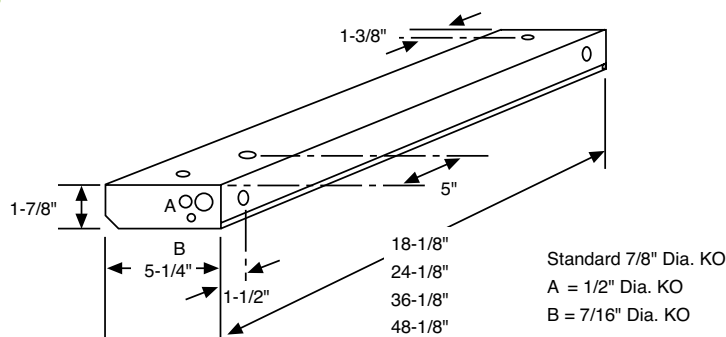
CU Features

- Turn switch and convenience outlet supplied standard.
- Electronic ballast offers quiet efficient operation.
- T8 lamp included.
- Available in 120V only.
- UL Listed.

CU Product Availability

Catalog Number	Lamp(s)	Nominal Length
CU158A-120-EB-LP	1-15WT8	18"
CU17A-120-EB-LP	1-17WT8	24"
CU25A-120-EB-LP	1-25WT8	36"
CU32A-120-EB-LP	1-32WT8	48"

Dimensions



CU



Valueline CU is an economical T8 undercabinet luminaire with electronic ballast.

For more information concerning the Valueline Undercabinets, consult specification sheets 1230-WU to 1231-WU at www.daybrite.com. See page 162 for warranty and lamp disposal information. Data subject to change without notice.