

Commercial Exit Signs

44R Line

Universal Edge-Lit LED



Specifier's Reference

Project
Type
Model No.
Comments

codes and standards

- UL Listed to UL 924 Standard
- NFPA 101 (Life Safety Code)
- NFPA 70 (National Electric Code)
- California Energy Commission
- UL listed for damp location

construction

- Surface mount exits are durable extruded aluminum construction with easy to install canopy.
- Universal mount exits have extruded aluminum housing and trim plate.
- Adjustable bar hangers adapt housing for mounting in suspended ceiling.
- Surface mount exits are only available with satin aluminum finish.
- Universal mount exits are available in satin aluminum and white.
- If a surface mount exit with white finish is required, a universal mount exit with white finish must be ordered.
- Exit panel may be rotated 90° to simplify wall, ceiling or sloped ceiling applications, and can be locked into place.
- Single face exits have a clear background and double face exits are provided with a mirror background.
- Signage contains 6" letter height with 3/4" stroke.
- The panel is clear acrylic.
- Chevrons may be applied in the field by simply placing chevron in the cut out area of template already attached to panel.
- Remove template after chevron is attached.

installation

- 44RL and ER44RL are surface mount only exit signs. They can be wall, end or ceiling mounted. 44RLU and ER44RLDU signs are universal mount. They can be recessed mounted (wall or ceiling) or surface mounted (wall, ceiling, or end).

electronics

- Dual voltage 120/277 VAC input with surge protection. Emergency models provide solid-state charging system with low voltage disconnect, AC lockout and brownout features.
- All ER44RLDU exits feature a self-diagnostic/self-test circuitry, which will indicate a warning when any of the key components (battery, lamps, charger board, and transformer) malfunctions and needs replacing.
- The SD/ST circuitry performs an automatic test: 1 minute every month, 30 minutes every 6th month of the year, and a 90 minute test on the 12th month of the year. A manual test can be activated at any time by simply pushing the test button.

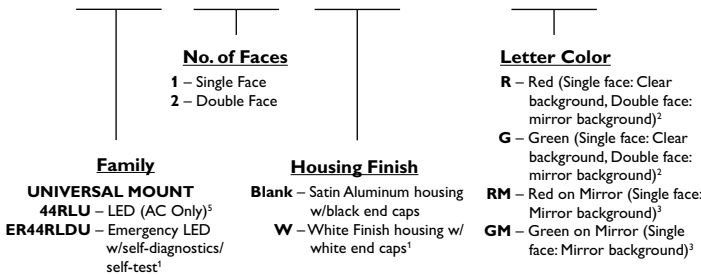
battery

- Emergency models utilize a self contained, maintenance free nicad battery that will provide a minimum of 90 minutes of illumination. Operating temperature range of 20°F (-7°C) to 95°F (35°C).
- Consumes 3 Watts at 120V.

warranty

- Three full year warranty on electronics and unit.

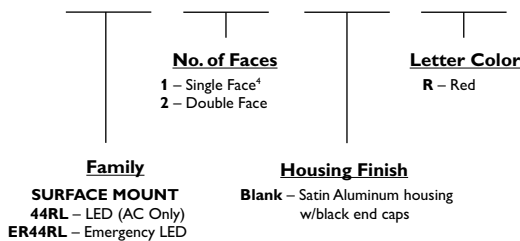
Universal Mount example: ER44RLDU2R



Footnotes

- <sup>1</sup>Available only in the "Universal Mount" signs.
- <sup>2</sup>The reverse image of the EXIT letters can be seen on a single face clear panel if viewed from the opposite side. To prevent seeing the reverse image of the EXIT letters, specify RM or GM for single face signs with a mirror background.
- <sup>3</sup>Not available on housings with a white finish.
- <sup>4</sup>Must order the "Universal Mount" version for a surface mount single face exit sign with a mirror background.
- <sup>5</sup>44RLU models (AC only) with green letters are not available with a white finish housing.

Surface Mount example: 44RL2R



Note:

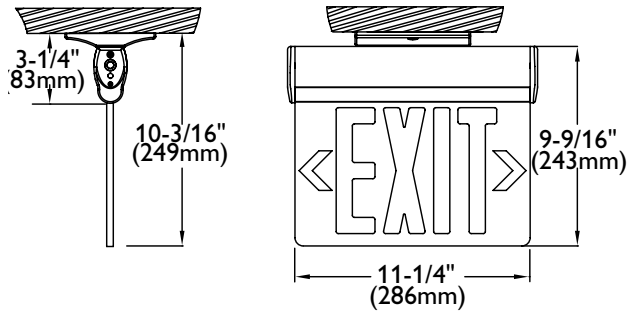
For (8" Letters) New York City edge-lit exit signs, refer to specification sheet number CN-26200.



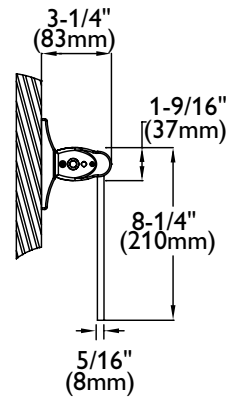
dimensions

Surface Mount

Ceiling

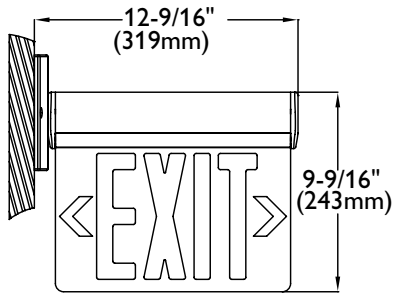


Wall

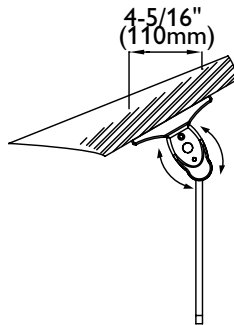


Recessed Mount

End

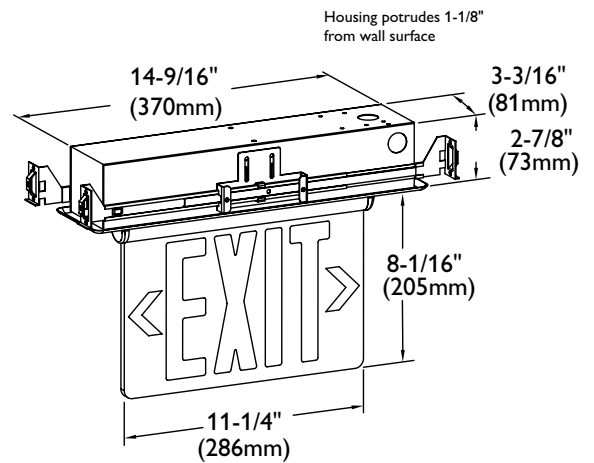


Sloped Ceiling



Ceiling

Wall



© 2016 Philips Lighting Holding B.V. All rights reserved.  
 Philips reserves the right to make changes in specifications and/or to discontinue any product at any time without notice or obligation and will not be liable for any consequences resulting from the use of this publication.  
[philips.com/luminaires](http://philips.com/luminaires)



Philips Lighting North America Corporation  
 200 Franklin Square Drive, Somerset, NJ 08873  
 Tel. 855-486-2216

Philips Lighting Canada Ltd.  
 281 Hillmount Rd, Markham, ON, Canada L6C 2S3  
 Tel. 800-668-9008