

DESCRIPTION

The Lumark Tribute luminaire is the most versatile, functionally designed, universally adaptable outdoor luminaire available. The Tribute luminaire brings outstanding performance to walkways, parking lots, roadways, loading docks, building areas and any security lighting application. U.L. listed and CSA certified for wet locations.

Catalog #		Type
Project		
Comments		Date
Prepared by		

SPECIFICATION FEATURES

Construction

Rugged, one-piece, die-cast aluminum housing and door frame. One-piece silicone gasket protects the optical chamber from performance degrading contaminants. One stainless steel spring latch and two stainless hinges allow tool-less opening and removal of door frame.

Electrical

Ballast and related electrical componentry are hard mounted to die-cast housing for optimal heat transfer and operating efficiency. Optional swing-down galvanized steel power tray with integral handle and quick disconnects allows tray to be completely removed from housing providing ample room for fixture installation and maintenance.

Reflector

Choice of nine high efficiency optical distributions, including five segmented optical systems constructed of premium 95% reflective anodized aluminum sheet. Optical segments are rigidly mounted inside a thick gauge aluminum housing for superior protection. All segment faces are clean of rivet heads, tabs or other means of attachment which may cause streaking in the light distribution. Optical modules are field rotatable in 90° increments and offered standard with mogul-base lampholders for High Pressure Sodium and 200-400W Metal Halide assemblies or medium-base lampholders for Metal Halide 150W and below.

Mounting

Extruded 8" aluminum arm features internal bolt guides for easy positioning of fixture during installation to pole or wall surface. Standard single carton packaging of housing, square pole arm and round pole adapter allow for consolidated product arrival to site. Optional internal mast arm mount accepts a 1-1/4" to 2-3/8" O.D. horizontal tenon, while a four-bolt clamping mechanism secures fixture. Cast-in leveling guides provide +/-5° vertical leveling adjustment.

Finish

Housing and arm finished in a five-stage premium TGIC bronze polyester powder coat paint. Optional colors include black, grey, white, dark platinum and graphite metallic. RAL and custom color matches available.



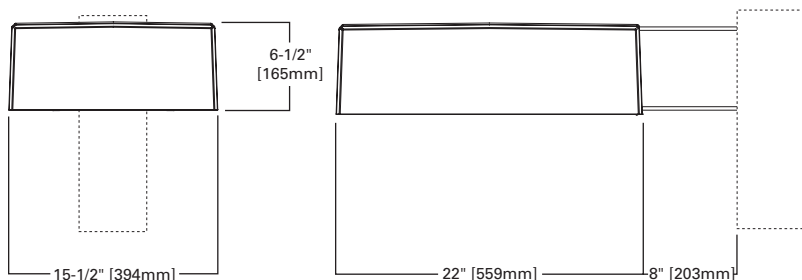
TR TRIBUTE

70 - 400W

High Pressure Sodium
Metal Halide
Pulse Start Metal Halide

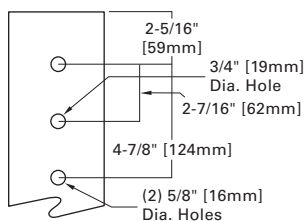
AREA/SITE LUMINAIRE

DIMENSIONS

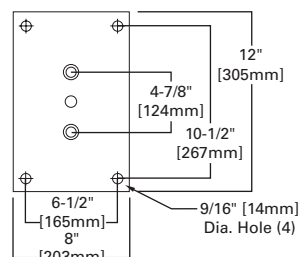


DRILLING PATTERNS

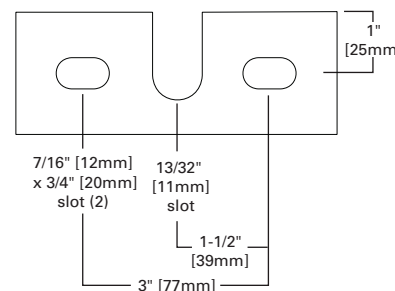
TYPE "M"



WALL MOUNT (MA1219-XX)



TRUNNION MOUNT



TECHNICAL DATA

UL Wet Locations Listed
CSA Certified
EISA Compliant ©

ENERGY DATA

Hi-Reactance Ballast Input Watts

70W HPS HPF (95 Watts)
100W HPS HPF (130 Watts)
150W HPS HPF (190 Watts)
150W MP HPF (185 Watts)

CWI Ballast Input Watts

250W HPS HPF (300 Watts)

CWA Ballast Input Watts

175W MH HPF (210 Watts)
200W MP HPF (227 Watts) ©
200W HPS HPF (250 Watts)
250W MH HPF (295 Watts)
250W MP HPF (283 Watts) ©
320W MP HPF (365 Watts) ©
350W MP HPF (397 Watts) ©
400W MP HPF (452 Watts) ©
400W MH HPF (455 Watts)
400W HPS HPF (465 Watts)

EPA DATA

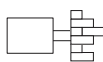
Effective Projected Area: (Sq. Ft.)
Single w/Arm: 1.59
Single w/o Arm: 1.19

SHIPPING DATA

Approximate Net Weight:
39 lbs. (17.73 kgs.)

MOUNTING CONFIGURATIONS

Wall Mount



Arm Mount Single
EPA: 1.59



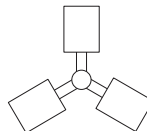
Arm Mount 2@180°
EPA: 3.18



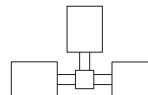
Arm Mount 2@90°
EPA: 2.63



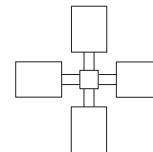
Arm Mount 3@120°
(Round Pole Only)
EPA: 3.87



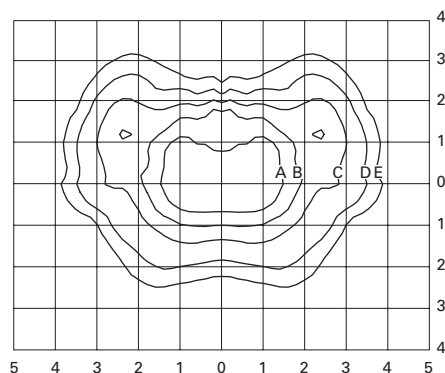
Arm Mount 3@90°
EPA: 4.02



Arm Mount 4@90°
EPA: 5.25



PHOTOMETRICS

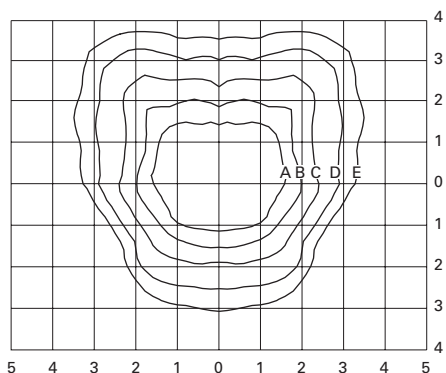


MPTR-3S-320
320—Watt MP
30,000—Lumen Clear Lamp
Type III Segmented

Footcandle Table

Select mounting height and read across for footcandle values of each isofootcandle line. Distance in units of mounting height.

Mounting Height	Footcandle Values for Isofootcandle Lines				
	A	B	C	D	E
20'	3.00	1.50	0.75	0.30	0.15
25'	2.00	1.00	0.50	0.20	0.10
30'	1.38	0.69	0.34	0.13	0.06

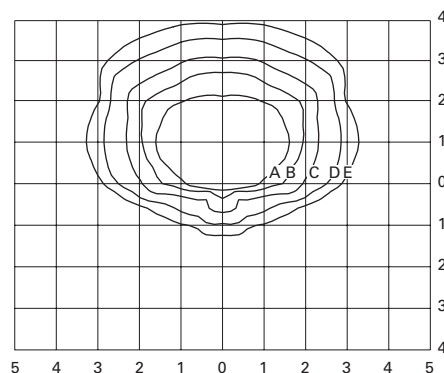


MPTR-4S-400
400—Watt MP
40,000—Lumen Clear Lamp
Type IV Segmented

Footcandle Table

Select mounting height and read across for footcandle values of each isofootcandle line. Distance in units of mounting height.

Mounting Height	Footcandle Values for Isofootcandle Lines				
	A	B	C	D	E
20'	3.00	1.50	0.75	0.30	0.15
25'	2.00	1.00	0.50	0.20	0.10
30'	1.38	0.69	0.34	0.13	0.06



MPTR-SL-400
400—Watt MP
40,000—Lumen Clear Lamp
Spill Light Eliminator

Footcandle Table

Select mounting height and read across for footcandle values of each isofootcandle line. Distance in units of mounting height.

Mounting Height	Footcandle Values for Isofootcandle Lines				
	A	B	C	D	E
20'	3.00	1.50	0.75	0.30	0.15
25'	2.00	1.00	0.50	0.20	0.10
30'	1.38	0.69	0.34	0.13	0.06

ORDERING INFORMATION

Sample Number: MPTR-SL-400-MT-LL

Lamp Type	Series ^{1,2}	Distribution	Lamp Wattage ³	Voltage ⁶
MP=Pulse Start Metal Halide MH=Metal Halide HP=High Pressure Sodium	TR=Tribute	2F=Type II Formed 2S=Type II Segmented 3F=Type III Formed 3S=Type III Segmented 4F=Type IV Formed 4S=Type IV Segmented 5F=Type V Formed 5S=Type V Segmented SL=Spill Light Eliminator	Pulse Start Metal Halide 70=70W 100=100W 150=150W 200=200W 250=250W 320=320W 350=350W 400=400W ⁴ Metal Halide 175=175W ⁵ 250=250W ⁵ 400=400W ^{4,5} High Pressure Sodium 70=70W 100=100W 150=150W 250=250W 400=400W ⁴	120V=120V 208V=208V 240V=240V 277V=277V 347V=347V ⁷ 480V=480V DT=Dual-Tap MT=Multi-Tap wired 277V TT=Triple-Tap wired 347V ⁷ 5T=5-Tap wired 480V ⁶
Options (Add as Suffix)		Color	Accessories (Order Separately) ¹¹	
F1=Single Fuse (120, 277 or 347V. Must Specify Voltage) F2=Double Fuse (208, 240 or 480V. Must Specify Voltage) Q=Quartz Restrike (Hot Strike Only) ⁸ EM=Quartz Restrike with Delay Relay (Quartz Lamp Strikes at both Hot and Cold Starts) ⁸ EM/SC=Emergency Separate Circuit ⁸ LL=Lamp Included S=1-1/4" - 2-3/8" Internal Mast Arm Mount TM=Trunnion Mount CEC=California Title 20 Compliant Ballast (Applies to 200-320W and 400W MP Only) PT=Electrical Power Tray PER=NEMA Twistlock Photocontrol Receptacle PC=Button Type Photocontrol ⁹ HS=House Side Cutoff ¹⁰ LA=Less Arm (Order Mounting Separately)		BZ=Bronze (Standard) BK=Black AP=Grey WH=White DP=Dark Platinum GM=Graphite Metallic	MA1201-XX=Direct Wall Mount Kit ² MA1218-XX=Direct Mount for Pole ² MA1219-XX=Wall Mounting Plate OA1090-XX=Adjustable Slipfitter Arm for Tenon Mount 2-3/8" O.D. Tenon ² MA1221-XX=External House Side Shield Kit - EPA 0.38 MA1222=House Side Shield Kit for 2S/3S MA1223=House Side Shield Kit for 4S MA1224=House Side Shield Kit for 2F/3F MA1225=House Side Shield Kit for 4F MA1010-XX=Single Tenon Adapter for 3-1/2" O.D. Tenon MA1011-XX=2 @ 180° Tenon Adapter for 3-1/2" O.D. Tenon MA1012-XX=3 @ 120° Tenon Adapter for 3-1/2" O.D. Tenon MA1013-XX=4 @ 90° Tenon Adapter for 3-1/2" O.D. Tenon MA1014-XX=2 @ 90° Tenon Adapter for 3-1/2" O.D. Tenon MA1015-XX=2 @ 120° Tenon Adapter for 3-1/2" O.D. Tenon MA1016-XX=3 @ 90° Tenon Adapter for 3-1/2" O.D. Tenon MA1017-XX=Single Tenon Adapter for 2-3/8" O.D. Tenon MA1018-XX=2 @ 180° Tenon Adapter for 2-3/8" O.D. Tenon MA1019-XX=3 @ 120° Tenon Adapter for 2-3/8" O.D. Tenon MA1045-XX=4 @ 90° Tenon Adapter for 2-3/8" O.D. Tenon MA1048-XX=2 @ 90° Tenon Adapter for 2-3/8" O.D. Tenon MA1049-XX=3 @ 90° Tenon Adapter for 2-3/8" O.D. Tenon TR/VS=Field Installed Vandal Shield ¹² OA/RA1013=Photocontrol Shorting Cap OA/RA1016=NEMA Photocontrol - Multi-Tap OA/RA1027=NEMA Photocontrol - 480V OA/RA1201=NEMA Photocontrol - 347V	

- NOTES:**
- Customer is responsible for engineering analysis to confirm pole and fixture compatibility for all applications. Refer to our white paper WP513001EN for additional support information.
 - 8" Arm and pole adapter included with fixture. Specify less arm "LA" option when mounting accessory is ordered separately.
 - 150W and below in pulse start metal halide are medium-base sockets. All other wattages are mogul-base.
 - Requires reduced envelope lamp.
 - 175W, 250W and 400W metal halide available in non-U.S. markets only.
 - Products also available in non-US voltages and 50Hz for international markets. Consult your lighting representative at Eaton for availability and ordering information. 5T only available in 400W metal halide.
 - 88% efficient EISA Compliant pulse start metal halide fixtures not available in 347V or Triple-Tap voltages.
 - Quartz options not available with SL optics.
 - Specify 120V, 208V, 240V or 277V only.
 - House side shield not available on 5S, 5F or SL optics.
 - Replace XX with color designation.
 - Not available with spill light eliminator or house side shield.

STOCK SAMPLE NUMBER (LAMP INCLUDED)

Sample Number: MPTR2340

Lamp Type ¹	Series ²	Distribution	Lamp Wattage
MP=Pulse Start Metal Halide HP=High Pressure Sodium	TR=Tribute	23=Type II / III Formed	15=150W 25=250W 32=320W 40=400W

- Notes:**
- Available in 150, 250 and 400W. Refer to In Stock Guide for availability.
 - Short logic fixtures are finished in bronze include multi-tap ballast, lamp, arm and round pole adapter. Other options not available. Refer to standard ordering information.

VOLTAGE CHART

DT=Dual-Tap	120/277V (Wired 277V)
MT=Multi-Tap	120/208/240/277V (Wired 277V)
TT=Triple-Tap	120/277/347V (Wired 347V)
5T=5-Tap	120/208/240/277/480V (Wired 480V)

WATTAGE CHART

Lamp Type	Wattage
Pulse Start Metal Halide	70, 100, 150, 250, 320, 350, 400W
Metal Halide	175, 250, 400W
High Pressure Sodium	70, 100, 150, 250, 400W



Eaton
1121 Highway 74 South
Peachtree City, GA 30269
P: 770-486-4800
www.eaton.com/lighting

Specifications and dimensions subject to change without notice.