

# WSR, WSRD, WSRDW Interlocked Arktite® Receptacles with Enclosed Disconnect Switches

30, 60, 100A  
 NEMA 3, 3R, 4, 12  
 Raintight  
 Watertight  
 Corrosion-Resistant  
 UL and cUL Listed

**WSR**



**Aluminum  
 NEMA 3R, 4, 12**

**WSRD**



**Sheet Metal  
 NEMA 3R, 12**

**WSRDW**



**Sheet Metal  
 Viewing Window  
 NEMA 3R, 12**

### Applications:

- The WSR and WSRD disconnect switches are used as a service outlet for portable or fixed electrical equipment – generators, compressors, welders, etc.
- They are designed for use in non-hazardous areas where dust, moisture and corrosion may be a problem.
- Designed for flush or surface mounting.
- A fusible type switch, when used, also provides short circuit protection.

### Features:

#### WSR and WSRD/WSRDW:

- Switches are NEMA type HD heavy duty 3-pole, with visible blades; a quick make-and-break mechanism with reinforced, positive pressure type blade and jaw construction. Fusible types have fuse clips with steel reinforcing springs of positive pressure type. Pressure connectors are used for wire connectors.
- For maximum safety, the spring door receptacle at the bottom of the unit is mechanically interlocked with the switch operating mechanism. The switch *cannot be closed* until the plug is fully inserted and the plug *cannot be withdrawn or inserted* unless the switch is open. With the switch open, *accidental plug withdrawal is prevented* by the interlock mechanism. Withdrawal can only be accomplished by activation of the interlock release lever located on the receptacle.
- Enclosures are compact and rectangular in shape with a gasketed, hinged door.
- Enclosure, handle and other exterior parts are corrosion resistant.

- The switch enclosure covers are interlocked with the body and operating mechanism and cannot be opened when the plug is engaged and the switch is closed ("ON"). When the switch is open, the switch *cannot* be put in a closed ("ON") position with the door open.

#### WSR:

- Mounting lugs may be rotated 90° or moved to the vertical centerline portion for pole mounting.
- Side hinged covers are retained in a closed position by compression spring draw-pull catches, which permit the opening or closing of the cover without tools.
- The switch operating handle may be padlocked in the "ON" or "OFF" position, thereby preventing unauthorized operation of the switch and/or opening of the enclosure. Up to three padlocks may be used. In addition, a unique hinge arrangement has been devised to allow the door of the unit to be padlocked. This feature allows operation while preventing unqualified or unauthorized entry.

### Certifications and Compliances:

#### WSR:

- NEMA 3R, 4, 12 (enclosure)
- UL Standard 98
- cUL Standard C22.2 No. 4

#### WSRD/WSRDW:

- NEMA 3R, 12
- UL Standard 98
- cUL Standard C22.2 No. 4

### Standard Materials:

#### WSR and WSRD/WSRDW:

- Receptacle housings and plug exteriors – copper-free aluminum
- Insulation (plug and receptacle) – fiberglass-reinforced polyester
- Pressure contacts – brass
- Crimp/solder contacts – leaded red brass

#### WSR:

- Enclosure – copper-free aluminum
- Operating handle – copper-free aluminum
- Other exterior parts – stainless steel

#### WSRD/WSRDW:

- Enclosure – sheet steel
- Operating handle – sheet steel
- Other exterior parts – stainless steel

### Standard Finishes:

- Copper-free aluminum – WSR enclosure, plug exteriors – natural
- Leaded red brass – electro-tin-plate
- Brass – natural
- Sheet steel – baked grey enamel
- Fiberglass-reinforced polyester – natural (red)

### Electrical Rating Ranges:

- 3 and 4 pole; fusible or non-fusible; 240 VAC, 250 VDC; 600 VAC
- 30, 60, 100 amperes
- 7½ to 75 HP

### Options:

Description	Suffix
• Interiors rotated 22½° to the right (viewed from face).....	<b>S4</b>
• Auxiliary switch, 600 VAC-DC heavy duty pushbutton station rating, can be supplied, and its contacts will close after safety switch contacts open and close before safety switch opens.....	<b>S483</b>

**Crouse-Hinds**  
 by **E•T•N**

3P

# WSR, WSRD, WSRDW Interlocked Arktite® Receptacles with Enclosed Disconnect Switches

30, 60, 100A  
NEMA 3, 3R, 4, 12  
Raintight  
Watertight  
Corrosion-Resistant  
UL and cUL Listed

**3P**

## APJ/NPJ Plugs

System	Amps	Conduit Opening Sizes§	WSR			WSRD†■ For viewing window see note 2			
			240VAC 600VAC 250VDC Cat. #	Max. HP Rating 240VAC	Max. HP Rating 480VAC	Max. HP Rating 600VAC	600VAC 250VDC Cat. #	Max.† HP Rating 480VAC	Max.† HP Rating 600VAC
3-Wire, 3-Pole Style 1, Fusible	30	1	WSR3351*	7½	15	20	WSRD3351*	15	20
	60	1¼	WSR6351*	15	30	50	WSRD6351*	30	50
	100	1½	WSR10351*	30	60	75	WSRD10351*	60	75
3-Wire, 4-Pole Style 2, Fusible	30	1	WSR3352*	7½	15	20	WSRD3352*	15	20
	60	1¼	WSR6352*	15	30	50	WSRD6352*	30	50
	100	1½	WSR10352*	30	60	75	WSRD10352*	60	75
3-Wire, 3-Pole Style 1, Non-fusible	30	1	WSR33541	7½	15	20	WSRD33541	15	20
	60	1¼	WSR63541	15	30	50	WSRD63541	30	50
	100	1½	WSR103541	30	60	75	WSRD103541	60	75
3-Wire, 4-Pole Style 2, Non-fusible	30	1	WSR33542	7½	15	20	WSRD33542	15	20
	60	1¼	WSR63542	15	30	50	WSRD63542	30	50
	100	1½	WSR103542	30	60	75	WSRD103542	60	75

\*Arranged for NEC Class H fuses. May be field converted to NEC Class J fuses.

§Furnished with reducer which may be removed to obtain one size larger opening. Locknut and bushing used must meet NEC requirements (WSR only).

†Ratings of unfused and fusible switches with time delay fuses.

■ Viewing window – add "W" to prefix, i.e.: WSRDW6352.

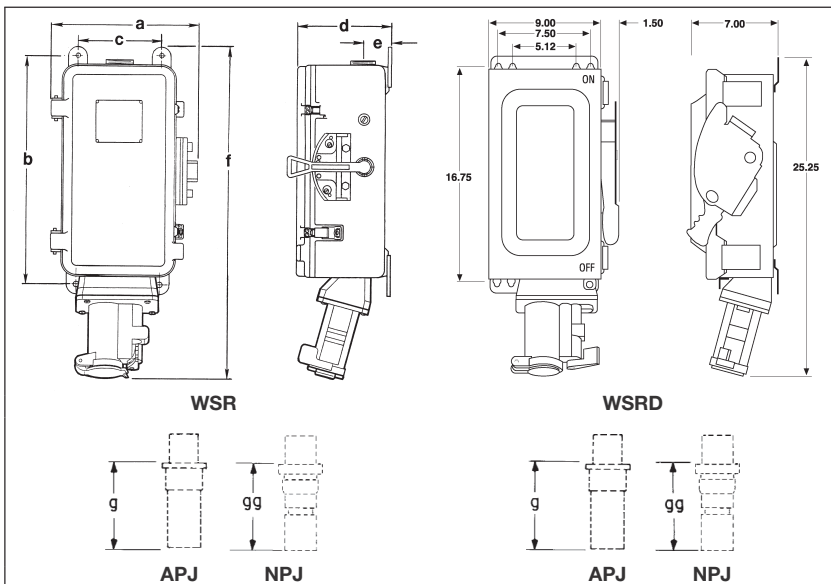
‡Conduit entrances not furnished.

## APJ/NPJ Plugs

Amps	Max. Volts	Outside Dia. of Cable, Flexible Conduit or Armored Cable	Style 1†† 3-wire, 3-pole Cat. #	Style 2†† 3-wire, 4-pole Cat. #
30	250 DC	0.60 to 1.20	APJ3375	APJ3485 NPJ3483 NPJ3484
	600 AC	0.55 to .070 0.70 to 0.85		
60	250 DC	0.75 to 1.45	APJ6375	APJ6485 NPJ6484 NPJ6485
	600 AC	0.75 to 1.07 1.07 to 1.35		
100	250 DC	1.00 to 1.70	APJ10377	APJ10487 NPJ10486 NPJ10487
	600 AC	0.93 to 1.21 1.21 to 1.50		

††Style 1 - Grounded through shell. Style 2 - Grounded through extra pole and shell. For a detailed description of these grounding methods, see pages 1312-1313.

## Dimensions In Inches:



### WSR

Dims.	30 Amps	60 Amps	100 Amps
a	11¼	11¼	14⅞
b	20⅞	20⅞	26⅞
c	6⅞	6⅞	9⅞
d	7¼	7¼	8¼
e	2⅞	2⅞	2⅞
f	27⅞	28⅞	35⅞
g	4¾	5¼	7¼
gg	7	6⅞	7¾
Mtg. Holes	⅜	⅜	⅞

Dim. "g" and "gg" are exposed portion of plug when engaged with receptacle.

### WSRD

Dims.	60 Amps
g	5⅞
gg	6⅞
Mtg. Holes	⅞

Dim. "g" and "gg" are exposed portion of plug when engaged with receptacle.

