

# N2SU/N2SCU Control Stations

**Factory Sealed, Corrosion-Resistant  
600VAC Heavy Duty**

Cl. I, Div. 2, Groups B, C, D  
Corrosion-Resistant  
Dust-tight  
Watertight  
Weatherproof  
NEMA 3, 4X, 7BCD (Div. 2), 12

Cl. II, Div. 2, Groups F, G  
Cl. I, Zones 1 and 2, Ex de IIB + H<sub>2</sub>  
IP66

**4C**

## Applications:

N2SU and N2SCU pushbutton stations, selector switches and pilot lights are suitable for use:

- In Class I, Groups B, C, D; Division 2 and Class I, Zones 1 and 2 hazardous areas where flammable vapors or gases may be present due to accidental or abnormal operation
- In damp, wet, or corrosive locations
- Indoors or outdoors in Division 2 and Class I, Zones 1 and 2 areas of petroleum refineries, chemical plants and other process industry facilities where similar hazards exist

N2SU and N2SCU pushbutton stations and selector switches are used:

- In conjunction with magnetic starters or contactors for remote control of motors

N2SU and N2SCU pilot lights are used:

- To visually indicate at a remote location that the desired function is being performed

Optional maintained stop pushbutton(s) are used: As emergency or normal stop button(s) in motor control circuits for positive shutdown.

## Features:

- Compact, strong, durable enclosures are made of *Vestamid*<sup>™</sup> – a black molded high impact strength, polyester material having excellent corrosion resistance and stability to heat.
- Exterior parts of pushbuttons, pilot lights, and selector switches are made of *Krydon* material. See pages 552–553 for device part numbers
- Pushbutton design uses a unique internal neoprene boot which completely encloses all internal parts. A wiping gasket around the pushbutton cleans the wall of the pushbutton guard of any foreign material accumulation as the button is operated.
- Formed-in-place gasket, and stainless steel screws for added corrosion resistance.
- Pushbutton and pilot light guards are fluted for no-slip installation.
- Factory installed dead end (N2SU) or through feed (N2SCU) hubs – 1/2" and 3/4" sizes.
- Legend plates are available with 40 standard markings.
- Lockout is standard on selector switch devices.
- LED lamps are standard to provide longer life.

## Certifications and Compliances:

- NEMA: 3, 4X, 7BCD and 12
- UL Standard: 508
- CSA C22.2 No. 14 & 30

## Crouse-Hinds

by **F.T.N**

## Size Ranges:

- 1, 2, 3 and 4-device units

## Electrical Rating Ranges:

- Pushbutton stations and selector switches – heavy duty 600VAC maximum
- Pilot lights – 120 to 600 VAC

## Options:

### Description

Padlock attachments for all pushbuttons. For "START-STOP" stations, only "STOP" button provided with lockout (lockout standard with STOP).....

**Suffix**

**S708**

### Three-position selector switches with modified operation:

Momentary contact clockwise operation, spring return to center, maintained contact counterclockwise operation.....

**S634**

Momentary contact counterclockwise operation, spring return to center, maintained contact clockwise operation.....

**S635**

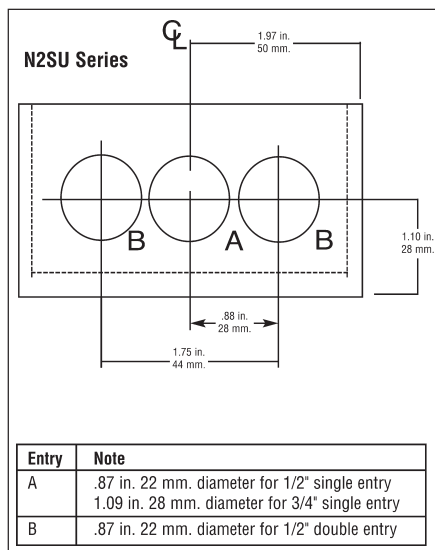
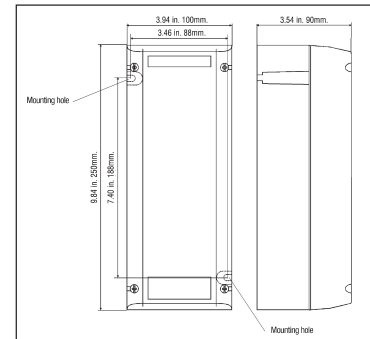
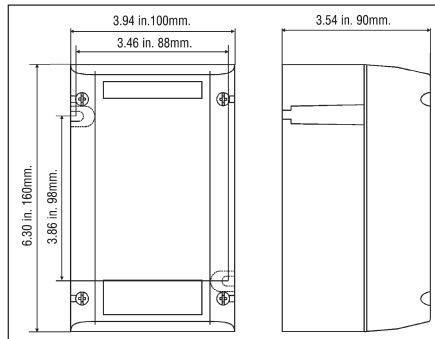
One maintained stop pushbutton.....

**MSR1**

**Note:** In addition to hub arrangements shown, the following can be obtained by inserting these codes for the 4th and 5th character in the catalog number:  
D = Double 1/2" hubs at bottom  
CD = Single hub at top, double 1/2" hubs at bottom  
DD = Double 1/2" hubs at each end

## Dimensions

### In Inches:



# 4C N2SU/N2SCU Control Stations

**Factory Sealed, Corrosion-Resistant  
600VAC Heavy Duty**

Cl. I, Div. 2, Groups B, C, D  
Corrosion-Resistant  
Dust-tight  
Watertight  
Weatherproof  
NEMA 3, 4X, 7BCD (Div. 2), 12

Cl. II, Div. 2, Groups F, G  
Cl. I, Zones 1 and 2, Ex de IIB + H<sub>2</sub>  
IP66

## Ordering Information - With Pushbuttons – Momentary Contact

No. Units	Contact Symbol	Marking Unless Otherwise Specified	Enclosure with Pushbuttons		
			Hub Size	Dead End Cat. #	Through Feed Cat. #
1		START (or Specify)	1/2 3/4	N2S1110U ② N2S2110U ②	N2SC1110U ② N2SC2110U ②
2		START-STOP (or Specify)	1/2 3/4	N2S1210U ② N2S2210U ②	N2SC1210U ② N2SC2210U ②
3		Specify	1/2 3/4	N2S1310U ② N2S2310U ②	N2SC1310U ② N2SC2310U ②
4		Specify	1/2 3/4	N2S1410U ② N2S2410U ②	N2SC1410U ② N2SC2410U ②



Maintained pushbutton with pilot light control station

## Ordering Information - With Selector Switches\*

Style	Position			Marking Unless Otherwise Specified	Enclosure with One Selector Switch		
	1	2	3		Hub Size	Dead End Cat. #	Through Feed Cat. #
Two-Position, Two-Circuit	A1 A2			START-STOP (or Specify)	1/2 3/4	N2S1121U ② N2S2121U ②	N2SC1121U ② N2SC2121U ②
Two-Position, Four-Circuit	A1 A2 B1 B2	 		START-STOP (or Specify)	1/2 3/4	N2S1122U ② N2S2122U ②	N2SC1122U ② N2SC2122U ②
Three-Position, Two-Circuit	A1 A2	 	 	Specify	1/2 3/4	N2S1123U ② N2S2123U ②	N2SC1123U ② N2SC2123U ②
Three-Position, Four-Circuit	A1 A2 B1 B2	 	 	Specify	1/2 3/4	N2S1124U ② N2S2124U ②	N2SC1124U ② N2SC2124U ②
Three-Position, Four-Circuit	A1 A2 B1 B2	 	 	Specify	1/2 3/4	N2S1125U ② N2S2125U ②	N2SC1125U ② N2SC2125U ②

② If desired, markings on indicating plates may be added to catalog number. Select from the list of standard markings below:

### Marking

Push Buttons:	REVERSE	Selector Switches –	Selector Switches –
START	OPEN	Two-Position:	Three-Position
STOP	CLOSE	RUN-JOG	RUN-OFF-JOG
ON	UP	HAND-AUTO	HAND-OFF-AUTO
OFF	DOWN	FOR-REV	FOR-OFF-REV
RUN	IN	FAST-SLOW	FAST-OFF-SLOW
JOG	OUT	OPEN-CLOSE	1-OFF-2
TRIP	RAISE	UP-DOWN	OPEN-OFF-CLOSE
RESET	LOWER	ON-OFF	UP-OFF-DOWN
TEST		IN-OUT	
LIGHT ON		RAISE-LOWER	
HAND		START-STOP	
AUTOMATIC			
EMERGENCY			
FORWARD			

\*Replacement switch for selector switches is Cat. No. ESWP126.

# N2SU/N2SCU Control Stations

**Factory Sealed, Corrosion-Resistant  
600VAC Heavy Duty**

Cl. I, Div. 2, Groups B, C, D  
Corrosion-Resistant  
Dust-tight  
Watertight  
Weatherproof  
NEMA 3, 4X, 7BCD (Div. 2), 12

Cl. II, Div. 2, Groups F, G  
Cl. I, Zones 1 and 2, Ex de IIB + H<sub>2</sub>  
IP66

**4C**

## Ordering Information - With Pilot Lights - Transformer Type

No. Units	Diagram	Volts	Enclosure with Pilot Lights†			
			1/2" Hubs		3/4" Hubs	
			Dead End Cat. #	Through Feed Cat. #	Dead End Cat. #	Through Feed Cat. #
1		120	N2S1131U ①	N2SC1131U ①	N2S2131U ①	N2SC2131U ①
		240	N2S1132U ①	N2SC1132U ①	N2S2132U ①	N2SC2132U ①
2		120	N2S1231U ①	N2SC1231U ①	N2S2231U ①	N2SC2231U ①
		240	N2S1232U ①	N2SC1232U ①	N2S2232U ①	N2SC2232U ①
3		120	N2S1331U ①	N2SC1331U ①	N2S2331U ①	N2SC2331U ①
		240	N2S1332U ①	N2SC1332U ①	N2S2332U ①	N2SC2332U ①
4		120	N2S1431U ①	N2SC1431U ①	N2S2431U ①	N2SC2431U ①
		240	N2S1432U ①	N2SC1432U ①	N2S2432U ①	N2SC2432U ①

① Specify lens color for each pilot light. As an example, N2S1231U with one red and one green would be ordered as N2S1231U-J1-J3

Color	Symbol	Color	Symbol
Red	J1	Clear	J10
Green	J3	Blue	J11
Amber	J6		

†Pilot lights are transformer type except those rated 120 volts.

**4C**

# 4C N2SU/N2SCU Control Stations

Factory Sealed, Corrosion-Resistant  
600VAC Heavy Duty

Cl. I, Div. 2, Groups B, C, D  
Corrosion-Resistant  
Dust-tight  
Watertight  
Weatherproof  
NEMA 3, 4X, 7BCD (Div. 2), 12

Cl. II, Div. 2, Groups F, G  
Cl. I, Zones 1 and 2, Ex de IIB + H<sub>2</sub>  
IP66

## Ordering Information - Combination Control Stations†\*

Pilot Lights*	Pushbuttons	Diagram	Marking Unless Otherwise Specified	Volts	Enclosure with Push Buttons and Pilot Lights†			
					1/2" Hubs		3/4" Hubs	
					Dead End Cat. #	Through Feed Cat. #	Dead End Cat. #	Through Feed Cat. #
1	1		Specify	120	N2S12411U ①②	N2SC12411U ①②	N2S22411U ①②	N2SC22411U ①②
				240	N2S12412U ①②	N2SC12412U ①②	N2S22412U ①②	N2SC22412U ①②
1	2		START-STOP (or Specify)	120	N2S13421U ①②	N2SC13421U ①②	N2S23421U ①	N2SC23421U ①②
				240	N2S13422U ①②	N2SC13422U ①②	N2S23422U ①	N2SC23422U ①②
2	1		Specify	120	N2S13411U ①②	N2SC13411U ①②	N2S23411U ①②	N2SC23411U ①②
				240	N2S13412U ①②	N2SC13412U ①②	N2S23412U ①②	N2SC23412U ①②
2	2		START-STOP (or Specify)	120	N2S14421U ①②	N2SC14421U ①②	N2S24421U ①②	N2SC24421U ①②
				240	N2S14422U ①②	N2SC14422U ①②	N2S24422U ①②	N2SC24422U ①②

Pilot Lights*	Pushbuttons	Selector Switches Position No.			Markings	Enclosure With Pilot Light, Pushbuttons and Selector Switch			
		1	2	3		Hub Size in.	Volts	Dead End Cat. #	Through Feed Cat. #
1	2	Two-Position, Two-Circuit			Specify	1/2	120	N2S145211U ①②	N2SC145211U ①②
				A1				3/4	N2S245211U ①②
1	2	Three-Position, Two-Circuit			Specify	1/2	120	N2S145231U ①②	N2SC145231U ①②
				A1				3/4	N2S245231U ①②
1	2					1/2	240	N2S145232U ①②	N2SC145232U ①②
				A1				3/4	N2S245232U ①②

① Specify lens color for each pilot light. As an example, N2S1231U with one red and one green would be ordered as N2S1231U-J1-J3

Color	Symbol	Color	Symbol
Red	J1	Clear	J10
Green	J3	Blue	J11
Amber	J6		

② If desired, markings on indicating plates may be added to catalog number. Select from the list of standard markings below:

Marking		
Push Buttons:	Selector Switches – Two-Position:	Selector Switches – Three-Position:
START	FORWARD	RUN-JOG
STOP	REVERSE	HAND-AUTO
ON	OPEN	FOR-OFF-REV
OFF	CLOSE	FAST-OFF-SLOW
RUN	UP	OPEN-CLOSE
JOG	DOWN	UP-DOWN
TRIP	IN	ON-OFF
RESET	OUT	IN-OUT
TEST	RAISE	RAISE-LOWER
LIGHT ON	LOWER	START-STOP
HAND		
AUTOMATIC		
EMERGENCY		

\*Replacement switch for selector switches is Cat. No. ESWP126.

†Pilot lights are transformer type except those rated 120 volts.