

# HRC Thermostats with Honeywell Control

Cl. I, Div. 1 & 2, Groups C, D  
 Cl. II, Div. 1, Groups E, F, G  
 Cl. II, Div. 2, Groups F, G  
 Cl. III  
 NEMA 7CD, 9EFG, 12

Explosionproof  
 Dust-Ignitionproof  
 Raintight  
 Wet Locations

**3A**

## Applications:

HRC thermostats with Honeywell control are used:

- For heavy duty line voltage thermostats to control fan coils, fans, motor starters, valves, contactors, and circulator motors in heating and/or cooling systems. If larger motors than listed are to be controlled, relays or magnetic motor starters must be interconnected between motors and thermostats
- In specific hazardous atmospheres such as encountered in oil refineries, chemical plants, paint and varnish manufacturing plants, certain hazardous metal finishing areas, coal processing locations, granaries and grain processing plants

## Features:

- A heavy duty snap switch is mounted in the enclosure; the temperature sensitive element is mounted on the external surface of the cover and actuates the switch through a shaft and bearing mechanism
- An external knob permits temperature setting within calibrated range; the knob is removable to prevent unauthorized adjustment; room ambient is indicated on thermometer at front

## Certifications and Complies:

- NEC/CEC:
  - Class I, Division 1 & 2, Groups C, D
  - Class II, Division 1, Groups E, F, G
  - Class II, Division 2, Groups F, G
  - Class III
- NEMA/EEMAC: 7CD, 9EFG, 12
- UL Standard: 1203
- CSA Standard: C22.2 No. 30

## Standard Materials:

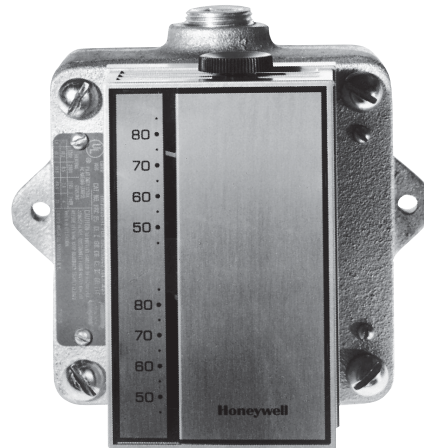
- Feraloy® iron alloy

## Standard Finishes:

- Electrogalvanized and aluminum acrylic paint

## Size Ranges:

- Hubs – 3/4" through-feed



## Electrical Rating Ranges:

- 120 / 240 VAC
- 50 / 60 hertz
- Full load current in amperes:

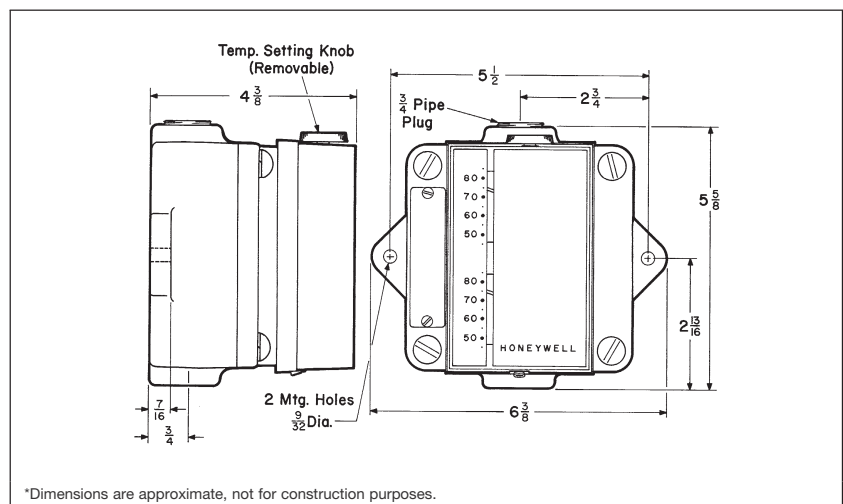
	120 VAC	240 VAC
Heating	10.2	6.5
Cooling	7.4	4.0

## Ordering Information:

Temperature Range	Non-Adjustable Operating Differential (approx.)	Cat. #†
45 – 85°F	1° F	HRC85

†Furnished with thermostat and thermometer.

## Dimensions\* In Inches:



**3A**

# 3A HRC Bimetal Thermostat

Cl. I, Div. 1 & 2, Groups C, D  
Cl. II, Div. 1, Groups E, F, G  
Cl. II, Div. 2, Groups F, G  
Cl. III

Explosionproof  
Dust-Ignitionproof

## Applications:

HRC Bimetal Thermostats are used:

- To control heating only, cooling only or ventilation systems in demanding industrial environments
- In specific hazardous atmospheres such as encountered in oil refineries, chemical plants, paint and varnish manufacturing plants, coal processing locations, waste storage facilities, pulp and paper mills, granaries and grain processing plants or any other location where specific explosive gases or dusts are present

## Features:

- Bimetal sensing element that is fast acting, reliable and unaffected by altitude
- Compact, lightweight design makes it easy to install
- No exposed copper or brass parts for excellent resistance to corrosion
- Feed-through design for easy installation
- Durable all aluminum exterior
- Available for heating only or heating or cooling/ventilation applications

## Certifications and Compliances:

- NEC/CEC:
  - Class I, Division 1 & 2, Groups C, D
  - Class II, Division 1, Groups E, F, G
  - Class II, Division 2, Groups F, G
  - Class III
- UL Standard: 1203
- CSA Standard: C22.2 No. 30

## Standard Materials:

- Copper-free aluminum

## Standard Finishes:

- Natural

## Size Ranges:

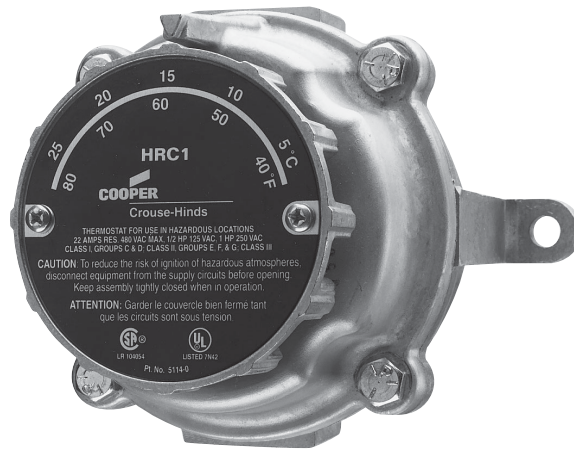
- Conduit opening – 3/4" hub

## Electrical Ratings:

- 480 VAC max
- 1/2 HP @ 120 VAC
- 1 HP @ 250 VAC
- 22 amps Res.

## Temperature Range:

- 36°F to 82°F (2°C to 28°C)
- Temperature differential: 2.5°F (1.5°C)



## Ordering Information

Hub Size	Description	Cat. #
3/4"	Single Pole, Single Throw (heating only)	HRC1
3/4"	Single Pole, Double Throw (heating or cooling/ventilation applications)	HRC2

## Dimensions In Inches:

