

Cl. I, Div. 1 & 2, Groups C, D – EVA only
 Cl. I, Zone I & 2, IIB – EVA only
 Cl. II, Div. 1, Groups E, F, G – EVA only
 UL1598 Ordinary Location – EVO only

Applications:

EV Tank Light Luminaires are used:

- To light inside of tanks, vats, process vessels, etc.
- In chemical plants, petrochemical plants and petroleum process industries
- Suspended over tank porthole by EC flexible hanger (EVO style)
- Mounted directly in tank wall (EVA)

Features:

- High light output
- Compact design

EVA160:

- Furnished with tank ring having eight 3/16" holes for riveting to tank
- Can be brazed if desired
- Luminaire ring is attached to the tank ring by eight 1/4-20 Allen Head cap screws
- Luminaire attached to luminaire ring by four wing screws
- EC flexible luminaire support should be used so relamping can be accomplished without disturbing the globe

Certifications and Complies:

- NEC:
 - Class I, Division 1 and 2, Groups C, D – EVA only
 - Class II, Division 1, Groups E, F, G – EVA only
- UL Standard: 844 – EVA only
- UL Standard: 1598 – EVO only

Standard Materials:

- Bodies – EVO: copper-free aluminum; EVA: receptacle housing and intermediate ring – *Feraloy*® iron alloy; Tank ring – silicon bronze
- Globes – EVO – glass, heat strengthened plate glass; EVA: glass, heat- and impact-resistant

Standard Finishes:

- Copper-free aluminum – epoxy powder coat
- *Feraloy* iron alloy – cadmium electrogalvanized and aluminum acrylic paint
- Silicon bronze – natural

Size Ranges:

- 1/2" and 3/4" hubs

Capacity Ranges:

- EVO – 75 watt, reflector spot max.
- EVA – 100 watt, A-21 max.

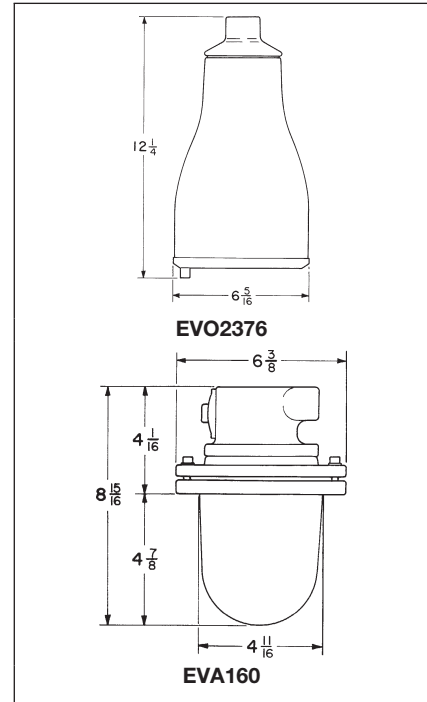
**Temperature Performance Data:
Based on 40°C Ambient**

Cat. #	Class I, Groups C, D	Class II, Groups E, F, G	Supply Wire (°C)
EVA160	T3C*	—	75

*All mounting positions.



**Dimensions
In Inches:**



Ordering Information:

Cat. #	Watts	Lamp (not furnished)	Hub Size
EVO2376	75	75R 30/SP reflector spot (medium base)	1/2 & 3/4
EVA160	100, A-21	Medium base	1/2

**Tank Ring Mounting
EVA160**

