

Champ® FMV1000 nR High Wattage Floodlights

Cl. I, Div. 2, Groups A, B, C, D
Cl. I, Zone 2, AEx nR II, Group IIC

Marine locations
NEMA Type 4X and IP56
Wet locations

6L

The Champ FMV1000 Series High Wattage Floodlight is the best in its class with heavy-duty vapor-tight housing designed exclusively for harsh industrial areas requiring broad area lighting.

The FMV1000 Series Floodlight boasts restricted breathing and easy-to-wire terminal blocks as standard. It is available in the following HID lamp sources and wattages:

- 600, 750, 1000W High Pressure Sodium
- 1000, 1500W Metal Halide

Applications:

The Champ FMV1000 Series is NEMA Type 4X and IP56 watertight, and its heavy-duty welded extruded aluminum housing and stainless steel hardware provide a robust design suitable for the most corrosive/marine environments.

Features and Benefits:

- AEx nR, Ex nR restricted breathing rating is standard—a hazardous location luminaire without additional accessories or options; restricted breathing offers cooler T-numbers for increased hazardous locations suitability
- NEMA 7x6 butterfly beam floodlight pattern—wide, uniform and far reaching to provide excellent efficiency and more light where you need it
- NEMA Type 4X and IP56 construction is designed for use indoors and outdoors in marine and wet locations—with stainless steel external hardware suitable for saltwater and corrosive applications
- Easy wiring—standard terminal block with marked terminals saves time and eliminates wiring errors
- Vapor-tight sealing cable connector—standard
- Standard machining—will accept 3/4 inch NCGB or 3/4 inch Myers™ hub (Myers hub is an option). Optional metric machining will accept M20 or M25 (must be specified on order)
- Low and high ambient capability to -40°C—perfect for colder climates, 50°C workhorse in hot climates
- Heavy-duty, extruded copper-free aluminum enclosure with epoxy coating and stainless steel hardware—provides a robust design with industrial grade construction and corrosion resistance
- Precision formed aluminum reflector—superior beam control, distribution and efficiency
- High light output with a low cost of operation—cost-effectiveness in a high wattage floodlight

Certifications & Compliances:

NEC/CEC (NEC Ballast Gear and Socket):

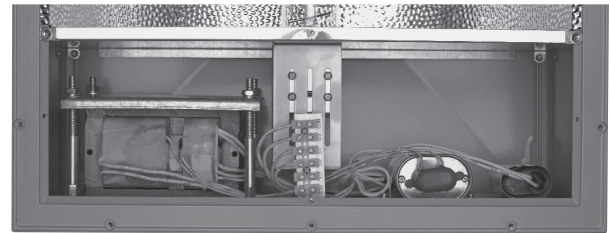
- Class I, Division 2, Groups A, B, C, D
- Class I, Zone 2, AEx nR II, Group IIC
- Marine locations
- IP56
- Wet locations
- NEMA Type 4X

Standard Materials:

- Housing—extruded aluminum
- External hardware—stainless steel
- Yoke—316 stainless steel
- Lens—heat- and impact-resistant tempered glass
- Gasketing—neoprene



Restricted breathing comes standard with this NEMA Type 4X and IP56 rated floodlight.



Industry Best for Ease of Installation:

1. Removable ballast tray
2. Prewired to terminal blocks
3. Substantial room for wiring

Standard Finishes:

- Aluminum—Corro-Free™ epoxy powder coat
- Stainless steel—natural

Ratings (Electrical/Size):

Sources/Wattages (Mogul Base Lamps)

- HPS—600, 750, and 1000W
- MH—1000W
- MH—1500W non-hazardous location rated

Voltages:

Standard Voltage Ballasts

- Multi-tap (120, 208, 240, and 277V 60Hz)
- 480V 60Hz
- Tri-tap (120, 277, 347V 60Hz)

Optional Voltage Ballasts

- 220V or 240V 50Hz (for export)
- 220V 60Hz (for export)

Isolated Ballasts

- 208, 240, or 480V (for Canada)

Hub Size:

- 3/4" NPT—standard
- M20 or M25—optional
- Dual entry—NPT or metric

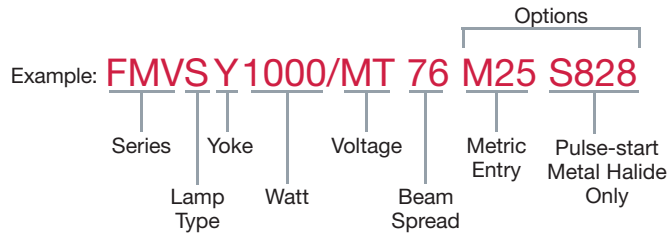
Ordering Information for Floodlight with NEC Ballast:

Lamp Type	Watts	Base Catalog Number*
High Pressure Sodium	600	FMVSY600 76
	750	FMVSY750 76
	1000	FMVSY1000 76
Metal Halide	1000	FMVMY1000 76
	1500	FMVMY1500 76

*To complete catalog number, add voltage and options suffix(es).

Voltage Suffixes:

Voltage (60Hz)	Dual-Tap	Tri-Tap	Multi-Tap	480
Suffix	/DT	/TT	/MT	/480



Temperature Performance Data:

Catalog Series	Lamp		40°C Ambient			50°C Ambient			Fixture Aiming	
			Temperature Code			Temperature Code			Range	Figure
			Class I, Zone 2	Class I, Div. 2	Supply Wire °C	Class I, Zone 2	Class I, Div. 2	Supply Wire °C		
FMVS	High Pressure Sodium	600	T3	T1	90	T3	T1	105	90°	2
		750	T3	T1	90	T3	T1	105	90°	2
		1000	T3	T1	90	T3	T1	105	90°	2
FMVM	Metal Halide	1000	T3	T1	90	T3	T1	105	90°	2
	Pulse-Start	750	T3	T1	90	-	-	-	75°	1
		750	T3	T1	90	-	-	-	90°	2
	Metal Halide	1000	T3	T1	90	T3	T1	105	75°	1
		1000	T3	T1	90	-	-	-	90°	2

Accessories (Order Separately):

- Slipfitter adapter:** To be mounted to yoke mount fixture; fits onto 2" pipe/conduit..... **SFA6**
- Wall bracket:** Use with slipfitter adapter SFA6 for easy wall mounting and increased adjustability..... **SWB6**
- Photocell in DS cover for use with FS/FD box:**
- 120V, 50/60Hz..... **D2S20**
- 208-277, 50/60Hz..... **D2S208 277**

Options:

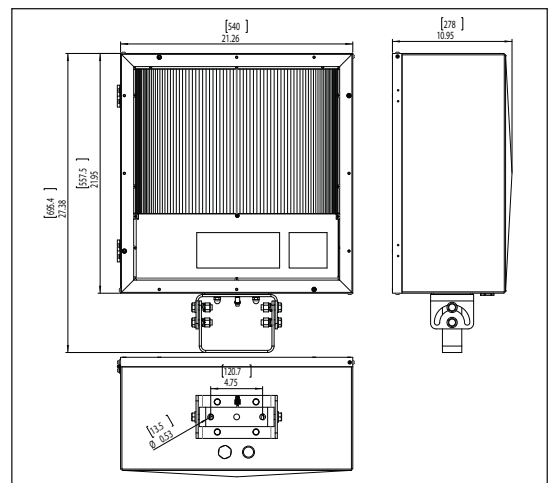
Description	Suffix
20mm metric thread for conduit opening.....	M20
25mm metric thread for conduit opening.....	M25
3/4" NPT hub conduit opening.....	NPT75
Pulse-start metal halide only.....	S828
Retention chain.....	S831
Enclosure machined for 2 conduit/cable entries.....	S886
Factory assembled, lamp installed in lampholder.....	FA

Weights and Dimensions:

Net Fixture Weights (Lbs.):

Fixture Series

FMVSY600	78
FMVSY750	76
FMVSY1000	83
FMVMY1000	76
FMVMY1500	84



Champ® FMV1000 nR High Wattage Floodlights

Cl. I, Div. 2, Groups A, B, C, D
Cl. I, Zone 2, AEx nR II, Group IIC

Marine locations
NEMA Type 4X and IP56
Wet locations

6L

Effective Projected Area (EPA):

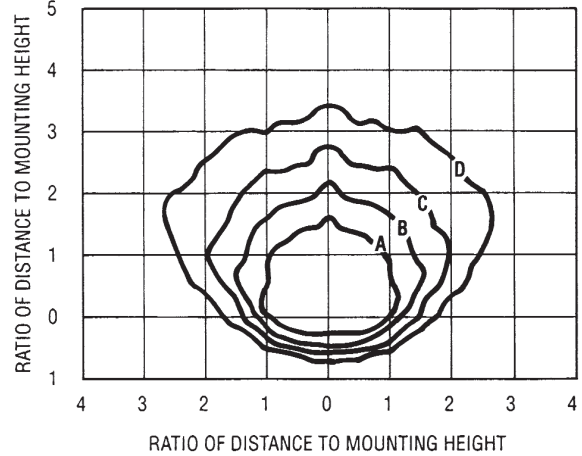
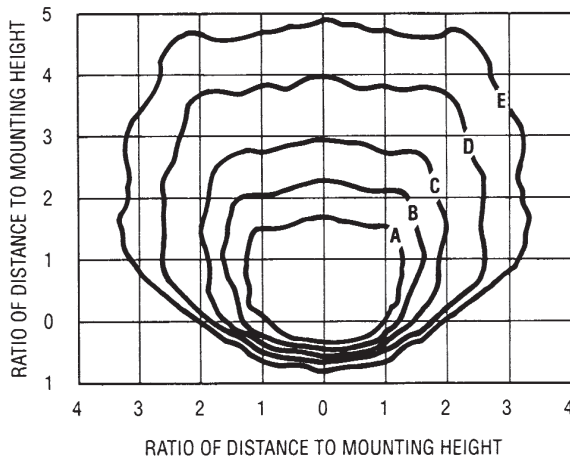
- For windloading
- For proper pole selection

Aiming Angle	EPA
0°	3.5 FT ²
30°	3.6 FT ²
60°	2.9 FT ²

Photometric Data:

ISO Footcandle Chart FMV
1000W High Pressure Sodium (HPS)
Catalog Number: FMVSY1000-76
Lamp: 1000W Clear HPS
Lumen Rating: 140,000
Fixture located at 0°, 0° aiming angle at 45°
(Note: See Figures 1 and 2).

ISO Footcandle Chart FMV
1000W Metal Halide (MH)
Catalog Number: FMVMY1000-76
Lamp: 1000W Clear MH
Lumen Rating: 110,000
For 1500W MH, multiply footcandles by 1.4
Fixture located at 0°, 0° aiming angle at 45°
(Note: See Figures 1 and 2).



Footcandle Table for FMVS1000W:

Mounting Height	Footcandle Values for Isofootcandle Lines				
	A	B	C	D	E
20'	12.6	6.4	3.1	1.4	0.64
25'	8.1	3.9	2.0	0.8	0.4
30'	5.6	2.8	1.4	0.6	2.8
35'	4.2	2.1	1.0	0.42	0.2
40'	3.1	1.6	0.8	0.32	0.17

Lamp Selection (Mogul Base):

Fixture	Watts Type	Bulb	G.E.	Osram	Philips
FMVSY600	600 HPS	T15	LU600/T	—	C600S106
FMVSY750	750 HPS	ED37	LU750	—	—
FMVSY1000	1000 HPS	E25	LU1000	—	C1000S52/ED37
FMVMY750	750 MH	ED37	MVR750/VBU/PA	—	—
FMVMY1000	1000 MH	BT56	MVR1000/U	—	MH1000/U
FMVMY1500	1500 MH	BT56	MVR1500/U/SPORTS	—	MH1500/U

79