

9L ELPS Light-Pak™ Emergency Lighting System

Cl. I, Div. 1 & 2, Groups C, D
Cl. I, Div. 1 & 2, Groups B, C, D
(with suffix GB)
Cl. II, Div. 1, Groups E, F, G
Cl. III

Cl. I, Zone 1
Simultaneous Presence
Wet Locations
NEMA 3, 3R, 12

Applications:

ELPS Series Emergency Lighting Systems are used:

- To provide safe, reliable illumination indoors or outdoors to designated areas during failure or interruption of power to the normal lighting system
- In areas made hazardous by the presence of flammable gases and vapors, combustible dusts, or easily ignitable fibers and flyings
- In areas where corrosion, vibration, moisture, dirt, and rough usage may be encountered
- Where required by the National Electrical Code®, the Life Safety Code, or other codes
- In refineries, chemical and petrochemical facilities, grain processing, handling or storage facilities, manufacturing plants, wastewater treatment facilities, and other areas where safe, reliable, hazardous area emergency lighting is needed

Features:

- Compact factory-sealed luminaire assemblies are each furnished with a 12 watt tungsten-halogen lamp and inner reflector for appropriate photometrics in hazardous areas
- Luminaire assemblies are fully adjustable and lockable on two axes to provide flexible and consistent light aiming capabilities
- Luminaire lens ring is threaded for easy relamping and locks in place with hex head set-screw; will not loosen due to vibration
- Ground joint cover with external flange design permits large opening and easy access to internal components; stud bolts in diagonally opposite corners of body ease cover removal and installation
- Neoprene cover gasket seals out moisture for superior protection of internal components against wetness and corrosion
- Lightweight, compact size, and mounting feet ease installation and allow placement in confined areas
- Two 1" NPT drilled and tapped conduit openings, with plugs, are standard, for choice of top or bottom feed
- Factory-installed PUSH-TO-TEST pushbutton enables easy testing of system
- MAIN POWER ON pilot light indicates AC power is being supplied to the battery charger; pilot light jewel is threaded for easy lamp replacement
- Stainless steel drain minimizes moisture collection; stainless steel breather with aluminum cap provides ventilation, minimizes moisture collection

- CID 101 corrosion inhibitor device is provided with each ELPS system to help protect electrical components and connections
- Rugged, long-life, maintenance-free, nickel cadmium battery provides 30 watts of power for the required 1½ hours
- Solid state battery charger for long life and reliable service prevents deep discharge by automatically disconnecting luminaires from battery
- Terminal block facilitates field wiring connections
- Instruction sheet and maintenance record card provided with unit in a protective plastic envelope
- A time delay is standard; time delay is preset at factory for 5 minute delay but can be field set for 5 seconds or 15 minutes, thus allowing HID type lamps time to restrike and reach desired illumination levels
- Solid state battery charger will accept 120, 220/240 or 277 VAC, 50/60 Hz

Certifications and Compliances:

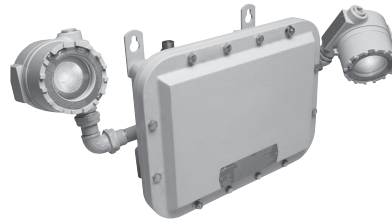
- NEC:
 - Class I, Groups B, C, D
 - Class II, Groups E, F, G
 - Class III
- Simultaneous Presence
- NEMA: 3R, 12 (ELPS power supply)
- Suitable for wet locations (EVLA fixtures)
- Marine (EVLA fixtures)
- UL Standard:
 - 844 – Electric Luminaire – Hazardous Locations
 - 924 – Emergency Lighting and Power Equipment
 - 1203 – Explosionproof and Dust-Ignitionproof Electrical Equipment
- Life Safety Code:
 - Section 5-9 (Emergency Lighting)
- Suitable for Wet Locations
- NEMA 3, 3R, 12
- Marine

Standard Materials:

- Power supply enclosure and luminaire assembly – copper-free aluminum (less than 0.4 of 1% copper)

Standard Finishes:

- Power supply enclosure and fixture assemblies – powder coat epoxy paint finish



Electrical Ratings:

- Power Supply:
 - Input:
 - 120, 220/240, 277 VAC, 50 or 60 Hz
 - 0.5 Amps Maximum
 - Output:
 - 12 VDC
 - UL listed for 28 watts for 1½ hours at 0° – 40°C
- Luminaires:
 - Voltage: 12 VDC
 - Lamp Type: #789, miniature Tungsten halogen, G4, 2-pin, 14 watt

Options:

Description	Suffix
Remote mounted lamp head and arm	EVLA12
Key operated disconnect switch as part of the ELPS502 emergency light system	S794
Keyless operated designated disconnect switch as part of the ELPS502 emergency light system	S854

Ordering Information:

Description	Cat. #
Standard unit with adjustable heads.....	ELPS502†
Replacement power interior, includes circuit board and battery pack	ELPS K50
Power supply	ELPS50†
Lamphead and arm	EVLA12†
Exit sign, double sided with EVI, red letters.....	ELPS502 EXD
Exit sign, double sided with EVI, green letters....	ELPS502 EXD GN
Exit sign, single or double sided with Group B EVA, red letters.....	ELPS502 EXD GB
Exit sign, single or double sided with Group B EVA, green letters	ELPS502 EXD GB GN
Exit sign, single sided with EVI, red letters.....	ELPS502 EXS
Exit sign, single sided with EVI, green letters.....	ELPS502 EXS GN

†Base unit comes standard with Class I, Division 1, Group B.

ELPS Light-Pak™ Emergency Lighting System

Temperature Performance Data
Photometric Data
Dimensions and Weights

9L

Temperature Performance Data:

Cat. # Class T-number

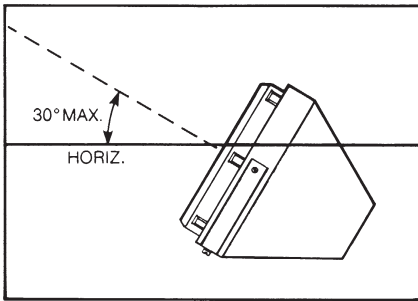
Maximum Ambient Temperature 55°C

EVLA12	I	T4A
	II*	T3B
	III*	T3B

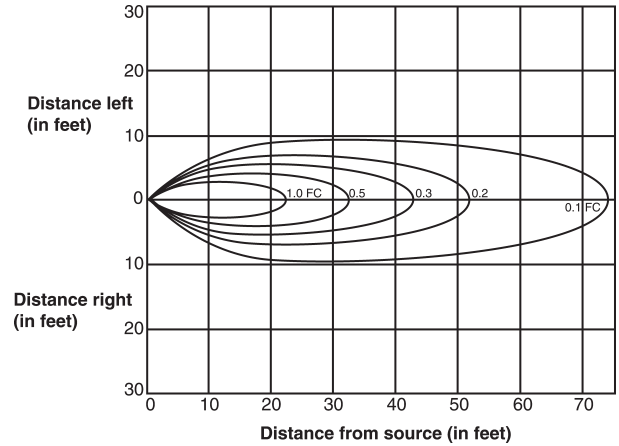
Maximum Ambient Temperature 40°C

ELPS EVI	T3C
	T4
ELPS EVA	T3C
	T4

*For Class II and Class III applications, fixtures must not be aimed more than 30° above horizontal (see diagram below).

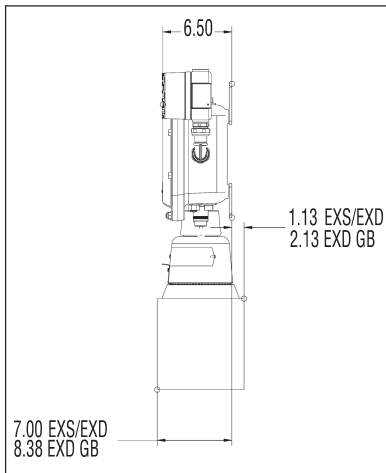
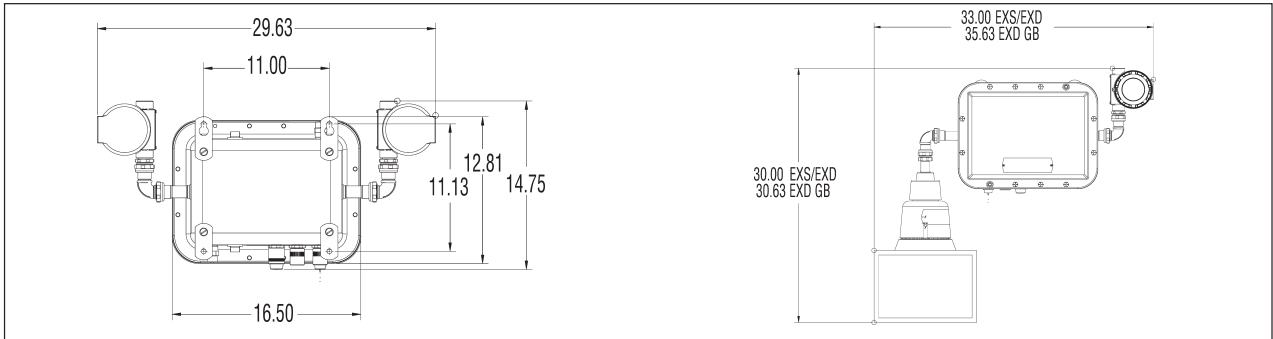


Photometric Data:



Dimensions

In Inches:



Unit Net Weights:

- ELPS502 complete emergency lighting system – 50 lbs.
- ELPS50 power supply – 40 lbs.
- EVLA12 luminaire assembly – 5 lbs.

Status Indication:

LED Status	Condition	Meaning of the Indication
	No light	AC power is removed from the circuit
•	Steady light (no blinking)	Fully charged
•	Light blinks once	Charging
••	Light blinks twice	Battery failure
•••	Light blinks three times	Circuit failure
••••	Light blinks four times	Lamp failure

76