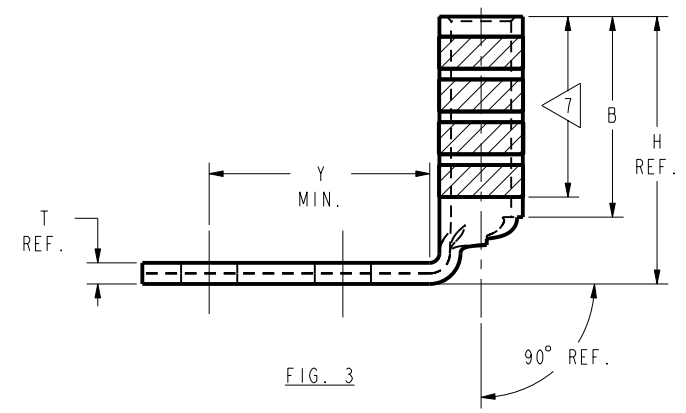
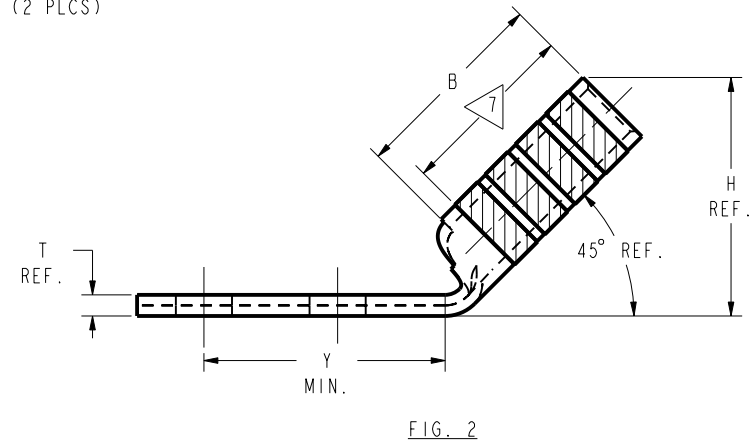
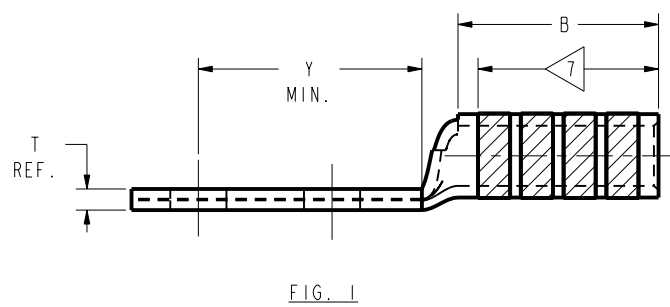
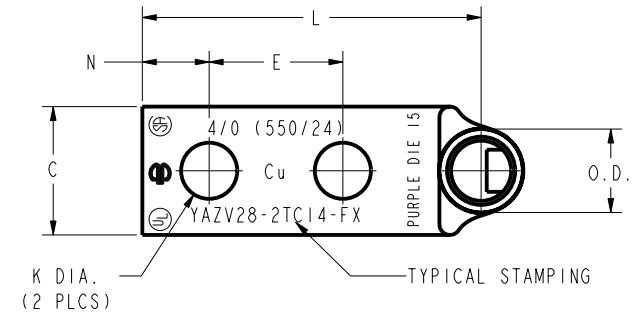
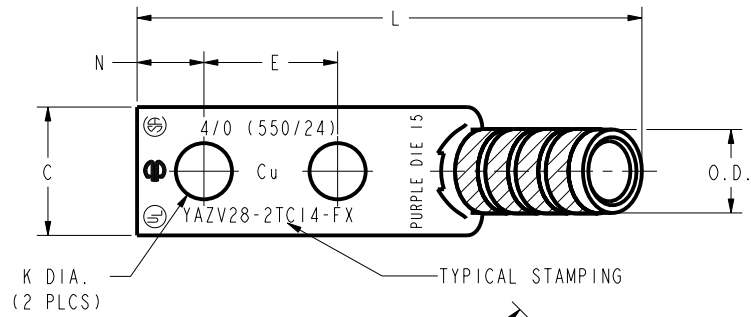
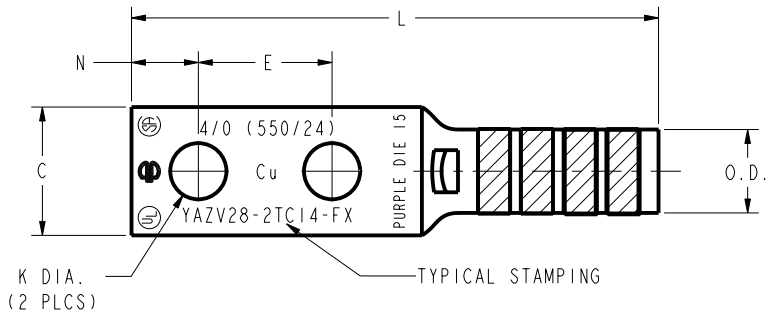


REV	DATE	DESCRIPTION	ECO	BY	C'H'K.
B	1/11/2001 12:00:00 AM	REDRAW AND CATALOG NUMBER UPDATON OF SALES DRAWINGS	17057	BSB	BSK

CATALOG NO.	CONDUCTOR		BOLT SIZE	FIG. NO.	DIMENSIONS										INSTALLATION TOOLING (# CRIMPS)						DIELESS (# CRIMPS)	WIRE STRIP LENGTH				
	FLEX	CODE (AWG)			B	C	E	H REF.	K DIA.	L	N	O.D.	T REF.	Y MIN.	DIE INDEX	COLOR CODE	MECHANICAL		HYDRAULIC							
																	MD7-34R	OUR840	BCT500 Y500CT	Y750 Y35, BAT35 Y39, BAT750			Y46	Y45		
YAZV282TC14FX	4/0 WELD 550/24	4/0 AWG	1	1.62 [41]	1.14 [29]	.62 [16]	---	.27 [7]	3.40 [86]	.31 [8]	.77 [20]	.15 [4]	.96 [24]	15	PURPLE	7	7	7	7	7	MECHANICAL: MY29-11 (1) HYDRAULIC: Y644, Y644MBH, (1)	1-11/16				
YAZV282TC14FX45			2	2.02 [51]			3.11 [79]		7							7	7	7	W28VT W28RT (4)	W28VT (4)			W28VT W28RT (4)	U28RT (2)	U28RT (2)	U28RT (2)
YAZV282TC14FX90			3	2.36 [60]			1.73 [44]		7							7	7	X28RT (6)								
YAZV282TC14E2FX	4/0 WELD 550/24	4/0 AWG	1	1.62 [41]	1.14 [29]	.75 [19]	---	.27 [7]	3.52 [89]	.31 [8]	.77 [20]	.15 [4]	1.09 [28]	15	PURPLE	6	6		6	6	6	MECHANICAL: MY29-11 (1) HYDRAULIC: Y644, Y644MBH, (1)	1-11/16			
YAZV282TC14E2FX45			2				2.02 [51]		3.23 [82]							6	6	6	X28RT (6)	X28RT (6)	X28RT (6)			U28RT (2)		
YAZV282TC14E2FX90			3				2.36 [60]		1.86 [47]							6	6	6								



NOTES:

- MATERIAL: COPPER TUBING.
- FINISH: TIN PLATED.
- CATALOG # PT6515 ADAPTOR IS REQUIRED TO USE "U" DIES IN Y45 SERIES TOOLS.
- CATALOG # PUADP-1 ADAPTOR IS REQUIRED TO USE "U" DIES IN Y46 SERIES TOOLS.
- PERMANENT DIE IN TOOLING.
- DIMENSIONS IN BRACKETS [] ARE IN MILLIMETERS ROUNDED OFF TO THE NEAREST MILLIMETER, UNLESS OTHERWISE NOTED, AND ARE FOR REFERENCE ONLY.
- CRIMP (# OF CRIMPS PER TABLE) WITHIN THE LENGTH BETWEEN THE INK STAMPED CRIMPING AREA.

TO ORDER BURNDY® PRODUCTS CALL		HYLUG™ (TWO HOLE FLEX)	
UNITED STATES 1-800-346-4175 (LONDONDERRY, NH)		ITEM NO: N/A	CAT. NO: YAZV28- (TABLE)
CANADA: 1-800-361-6975 (QUEBEC) 1-800-387-6487 (ALL OTHER PROVINCES)		DRAWN BY: B MICHAUD 8/25/99	CHECKER: K HENRY 8/26/99
FOR PRODUCT INFO: http://www.fciconnect.com		DSN APPVL: RR TEAM 9/28/99	MFG APPVL: --
		QA APPVL: J BRODEUR 10/6/99	MKT APPVL: R ROICHEAU 10/5/99
		PROJ #: --	SCALE: NTS
		SIZE: D	DRAWING NO: SE212273
		DOCUMENT TYPE: Sales	REV: B
		REL LEVEL: Released	SHEET 29 OF 48

REV: PE0200