

DRAWING NO.  
SE212356

7

6

5

4

3

2

1

REV	DATE	DESCRIPTION	ECO	BY	C'H'K.
A	12/1/2008 12:00:00 AM	REDRAW AND CATALOG NUMBER UPDATON	16630	MA	BSK

CATALOG NO.	CONDUCTOR		BOLT SIZE	FIG. NO.	DIMENSIONS								INSTALLATION TOOLING (# CRIMPS)									
	CODE (AWG)	NAVY			B ±.09	C ±.06	H REF.	K DIA. ±.02	L ±.15	N ±.06	O.D. ±.01	T REF.	Z MIN.	DIE INDEX	COLOR CODE	HYDRAULIC					DIELESS (# CRIMPS)	WIRE STRIP LENGTH
																Y750 Y35, BAT35 Y39, BAT750	Y46 4	Y45 3	Y48B	Y60B		
YAZ38TC12	700 kcmil [-----]	---	1/2 [M12]	1	2.81 [71]	1.84 [47]	--	.52 [13]	4.77 [121]	.53 [13]	1.25 [32]	.27 [7]	.55 [14]	400	PINK	U38RT (4)	U38RT (4)	U38RT (2)	---	L38RT (2)	HYDRAULIC: Y644, Y644M BAT644M Y644MBH, Y1000 Y1000BH (1)	2-7/8
YAZ38TC1245																						
YAZ38TC1290																						

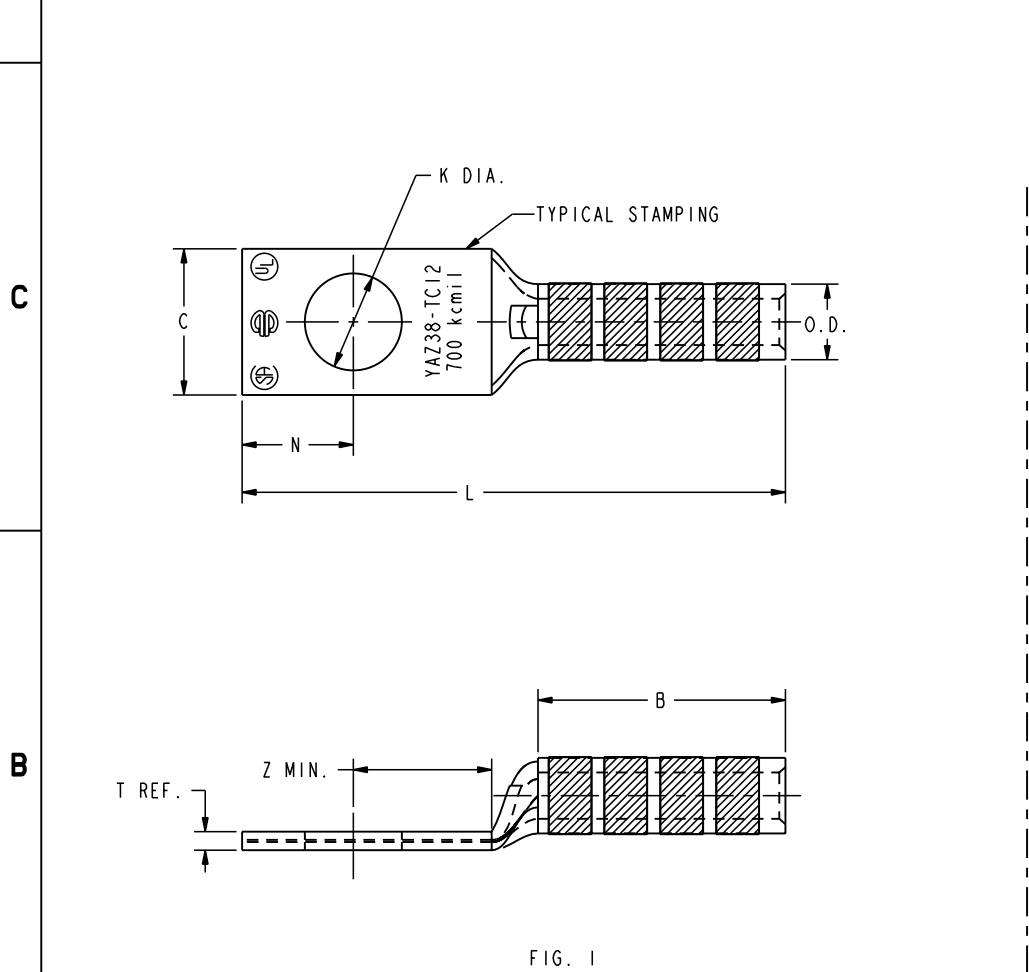


FIG. 1

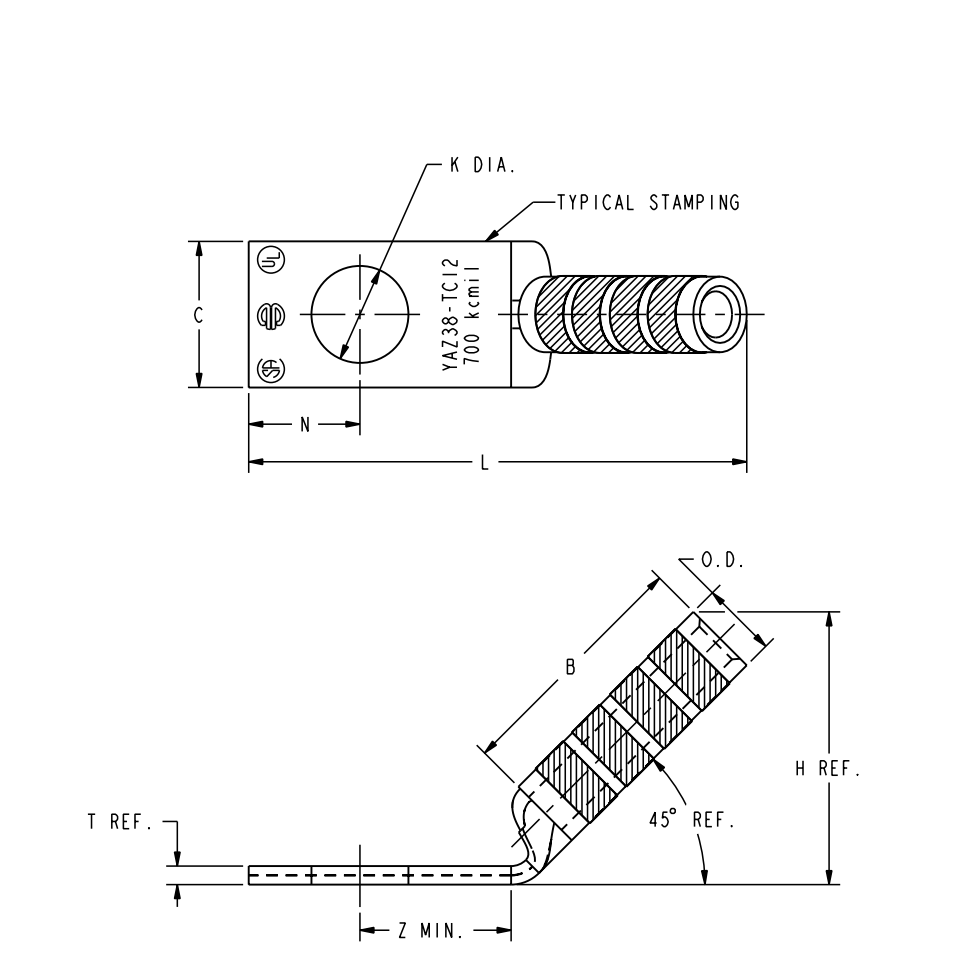


FIG. 2

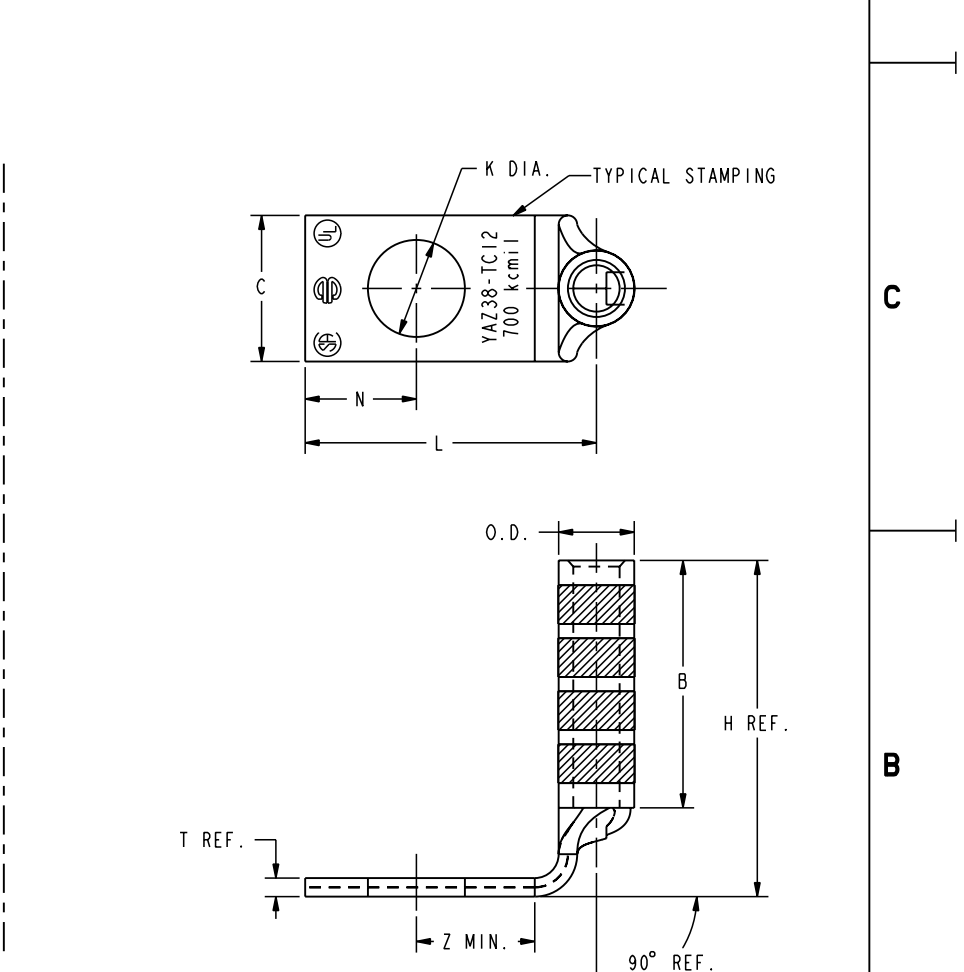


FIG. 3

NOTES:

- MATERIAL: COPPER TUBING.
- FINISH: TIN PLATED
- CATALOG # PT6515 ADAPTOR IS REQUIRED TO USE "U" DIES IN Y45 SERIES TOOLS.
- CATALOG # PUADP-1 ADAPTOR IS REQUIRED TO USE "U" DIES IN Y46 SERIES TOOLS.
- DIMENSIONS, METRIC WIRE, & METRIC BOLT SIZES IN BRACKETS [ ] ARE IN MILLIMETERS. DIMENSIONS ARE ROUNDED OFF TO THE NEAREST MILLIMETER, UNLESS OTHERWISE NOTED, AND ARE FOR REFERENCE ONLY.

REV: PE0200

TO ORDER BURNDY® PRODUCTS CALL UNITED STATES 1-800-346-4175 (LONDONDERRY, NH) CANADA: 1-800-361-6975 (QUEBEC) 1-800-387-6487 (ALL OTHER PROVINCES) FOR PRODUCT INFO: <a href="http://www.burndy.com">http://www.burndy.com</a>		HYLUG™ (ONE HOLE CODE)	
		ITEM NO: NA CAT. NO: YAZ38-TC- (TABLE) DRAWN BY: D.BOISVERT 02/03/2000 CHECKER: K.MCCARTHY 04/05/2000 DSN APPVL: J.MICHAUD 05/04/2000 MFG APPVL: N/A QA APPVL: S.BROWN MKT APPVL: N/A	
PROD FAM: -- PROJECT #: -- DOCUMENT TYPE: Sales REL LEVEL: Released		SIZE D	SCALE: NTS DRAWING NO SE212356 SHEET 30 OF 40

8

7

6

5

4

3

2

1