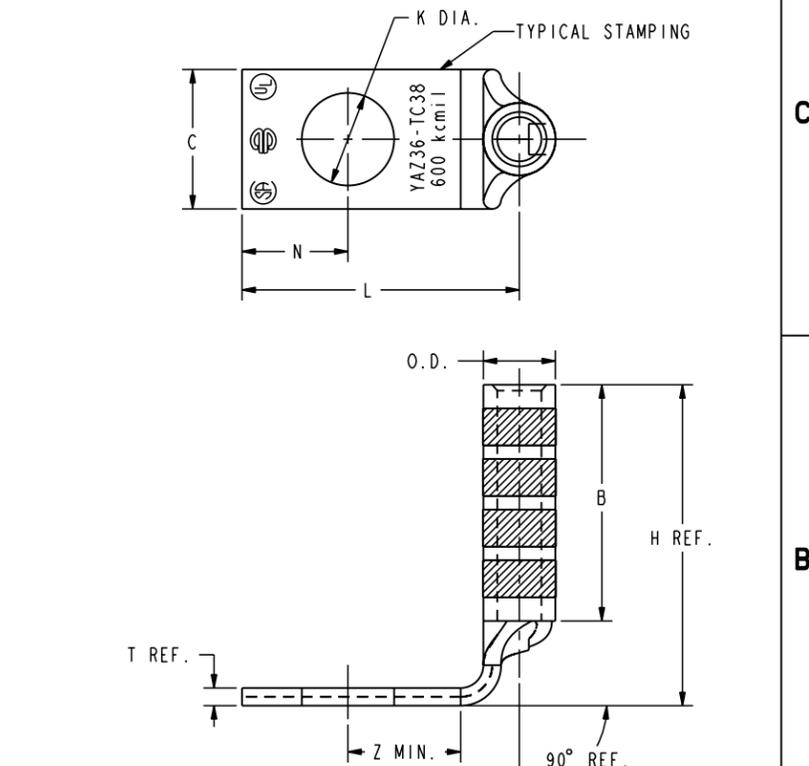
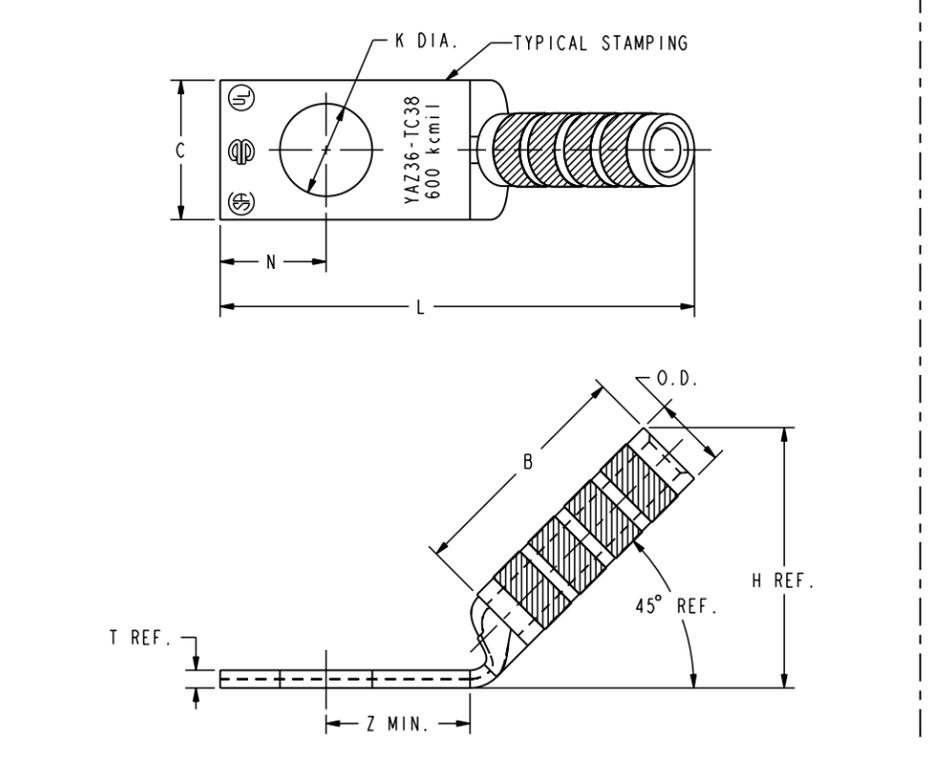
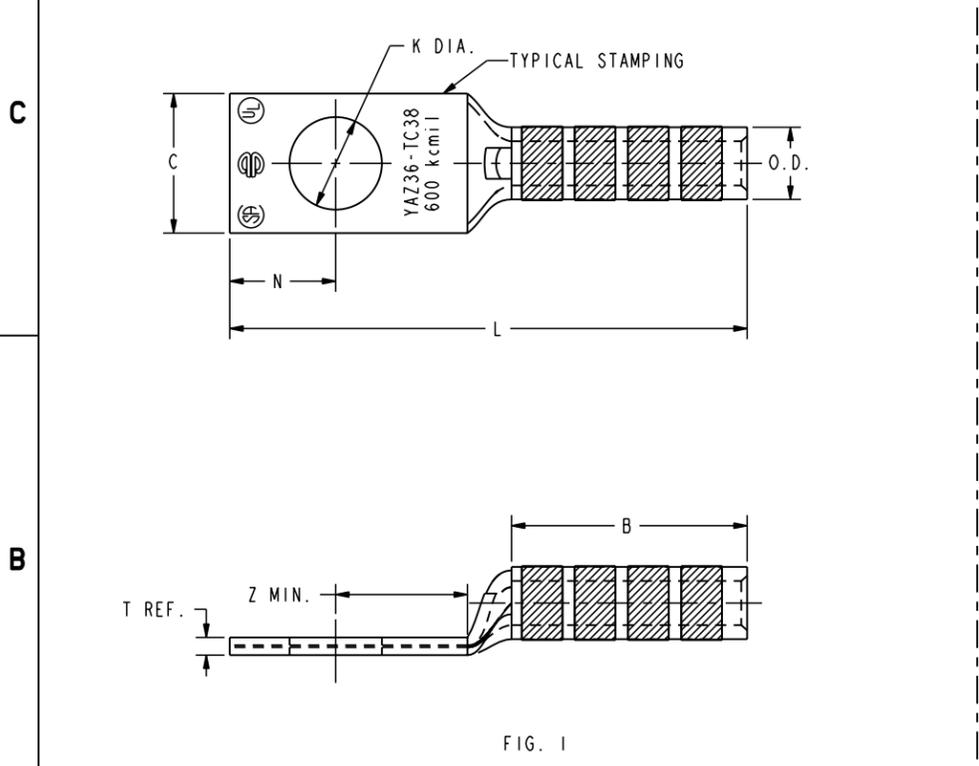


REV	DATE	DESCRIPTION	ECO	BY	C'H'K.
C	12/1/2008 12:00:00 AM	REDRAW AND CATALOG NUMBER UPDATES	16630	MA	BSK

CATALOG NO.	CONDUCTOR		BOLT SIZE	FIG. NO.	DIMENSIONS								INSTALLATION TOOLING (# CRIMPS)														
	CODE (AWG)	NAVY			B	C	H REF.	K DIA. ±.02	L ±.15	N ±.06	O.D. ±.01	T REF.	Z MIN.	DIE INDEX	COLOR CODE	HYDRAULIC					DIELESS (# CRIMPS)	WIRE STRIP LENGTH					
																Y750 Y35, BAT35 Y39, BAT750	Y46 4	Y45 3	Y48B	Y60B							
D YAZ36TC38	600 kcmil [300mm ² STR.]	--	3/8 [M10]	1	2.69 [68]	1.74 [44]	--		4.54 [115]			1.19 [30]	.26 [6]		.52 [13]	22 OR 472	GREEN	U36RT U32ART (4)	U36RT U32ART (4)	U36RT U32ART (4)	C36R C32AR (2)	L36RT L32ART (2)	HYDRAULIC Y644, Y644M BAT644M Y644MBH, Y1000 Y1000BH (1)	2-3/4			
YAZ36TC3845				2		3.40 [86]	.40 [10]	4.13 [105]	.50 [13]																		
YAZ36TC3890				3		3.99 [101]		1.80 [46]																			
YAZ36TC12				1		--		4.60 [117]																			
YAZ36TC1245				2	1/2 [M12]		3.40 [86]	.52 [13]	4.19 [106]	.53 [13]								22 OR 472	GREEN	U36RT U32ART (4)	U36RT U32ART (4)	U36RT U32ART (4)			C36R C32AR (2)	L36RT L32ART (2)	
YAZ36TC1290				3	--		2.69 [68]	1.74 [44]	3.99 [101]		1.86 [47]			1.19 [30]	.26 [6]		.55 [14]			U36RT U32ART (4)	U36RT U32ART (4)	U36RT U32ART (4)			C36R C32AR (2)	L36RT L32ART (2)	



NOTES:

- MATERIAL: COPPER TUBING.
- FINISH: TIN PLATED
- CATALOG # PT6515 ADAPTOR IS REQUIRED TO USE "U" DIES IN Y45 SERIES TOOLS.
- CATALOG # PUADP-1 ADAPTOR IS REQUIRED TO USE "U" DIES IN Y46 SERIES TOOLS.
- DIMENSIONS, METRIC WIRE, & METRIC BOLT SIZES IN BRACKETS [] ARE IN MILLIMETERS. DIMENSIONS ARE ROUNDED OFF TO THE NEAREST MILLIMETER, UNLESS OTHERWISE NOTED, AND ARE FOR REFERENCE ONLY.

TO ORDER BURNDY® PRODUCTS CALL		HYLUG™ (ONE HOLE CODE)	
UNITED STATES 1-800-346-4175 (LONDONDERRY, NH)		ITEM NO: NA	CAT. NO: YAZ36-TC- (TABLE)
CANADA: 1-800-361-6975 (QUEBEC) 1-800-387-6487 (ALL OTHER PROVINCES)		DRAWN BY: D. BOISVERT 02/03/00	CHECKER: R. BOISVERT 01/10/01
FOR PRODUCT INFO: http://www.burndy.com		DSN APPVL: J. MICHAUD 05/04/00	MFG APPVL: N/A
		QA APPVL: S. BROWN	MKT APPVL: --
		PROJ APPVL: --	SCALE: NTS
		PROJECT #: --	DRAWING NO: SE212356
		DOCUMENT TYPE: Sales	REV: C
		REL LEVEL: Released	SHEET 28 OF 40

REV: PE0200