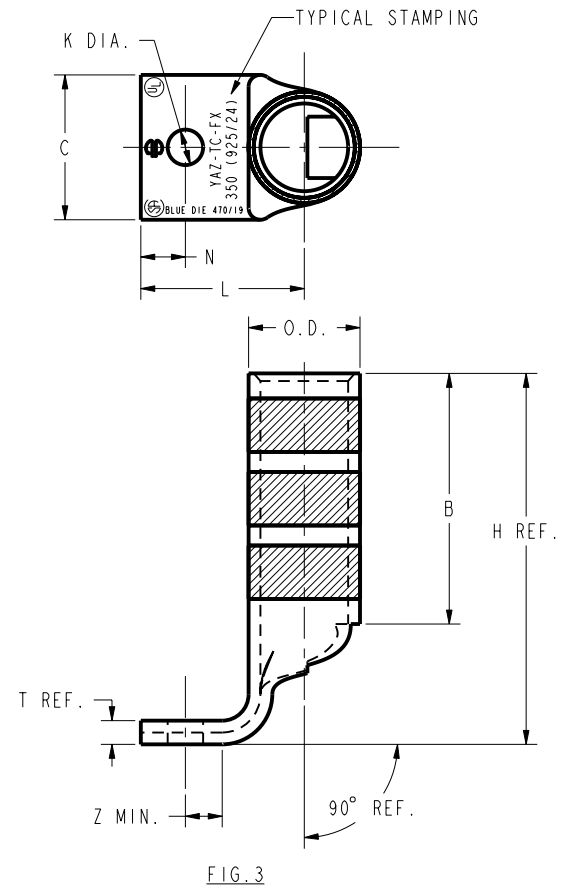
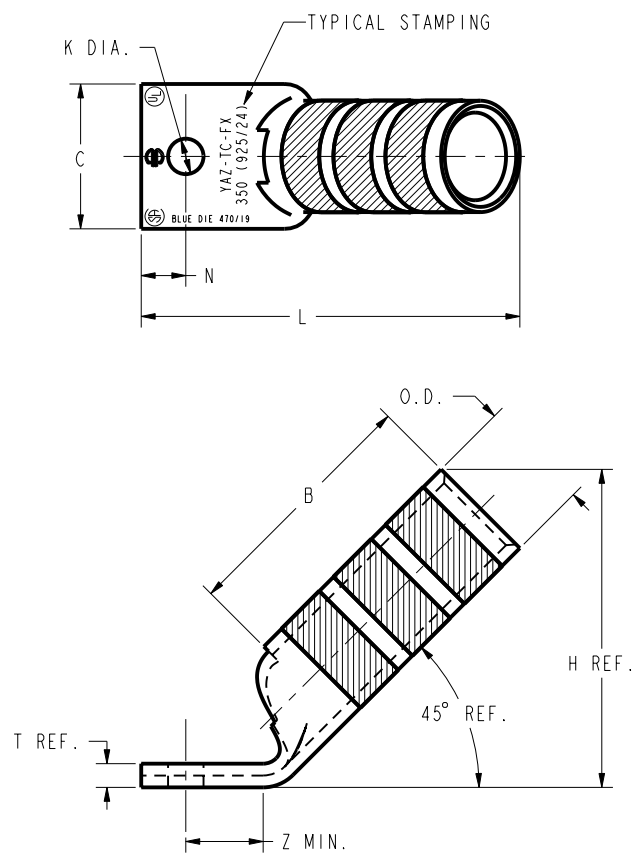
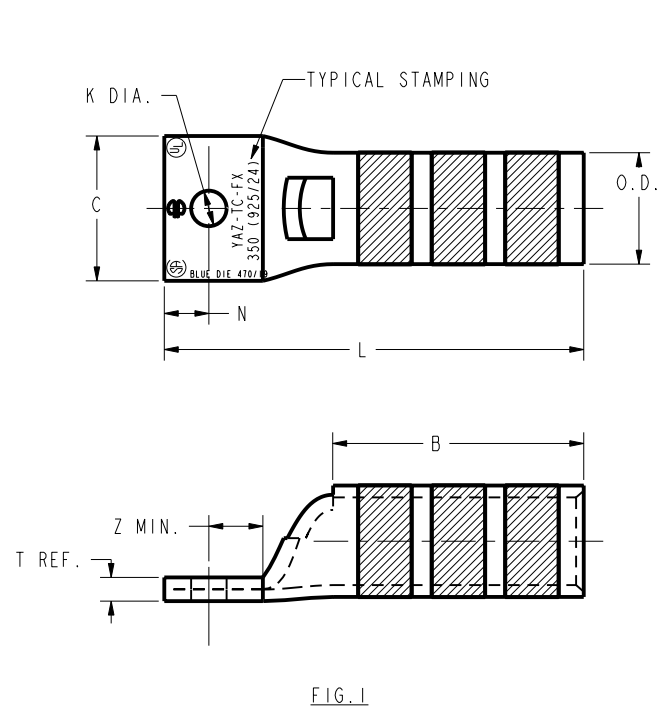


CATALOG NO.	CONDUCTOR		BOLT SIZE	FIG. NO.	DIMENSIONS								INSTALLATION TOOLING (# CRIMPS)										
	FLEX	CODE (AWG)			B	C	H	K DIA.	L	N	O.D.	T REF.	Z MIN.	DIE INDEX	COLOR CODE	MECHANICAL		HYDRAULIC			DIELESS (# CRIMPS)	WIRE STRIP LENGTH	
			±.08	+ .04 -.02	REF.	±.02	±.12	±.03	±.01					MD7-34R	BCT500 Y500CT	Y750, PAT750 Y35, PAT35 Y39, PAT750	Y46	Y45					
YAZ34NT38FX	373.7 kcmil 925/24 (350 kcmil FLEX)	--	3/8 [M10]	1	--	.40	3.84 [98]	.41				.42 [11]	19 OR 470	BLUE	W32VT (4)	W32VT (4)	U32VT (4)	U32RT (4)	U32RT (4)	HYDRAULIC: Y644, Y644M Y644MBH PAT644 (1)  Y81KFT- PAT81KFT- Y4PC- PAT4PC- SERIES (2)	2-5/16		
YAZ34NT38FX45			2	2.25 [57]	.96 [24]	2.94 [75]	.40	3.49 [89]	.41		1.06 [27]	.23 [6]											
YAZ34NT38FX90			3			3.41 [87]		1.53 [39]															
YAZ34TC38FX			1					3.84 [98]															
YAZ34TC38FX45			2			1.55 [39]	2.94 [75]	.40	3.49 [89]	.41			.42 [11]										
YAZ34TC38FX90			3				3.41 [87]		1.53 [39]														
YAZ34TC12FX			1						4.09 [104]														
YAZ34TC12FX45			2	1/2 [M12]	2	2.25 [57]	1.55 [39]	.52 [13]	3.74 [95]	.53 [13]		1.06 [27]	.55 [14]	19 OR 470	BLUE	W32VT (4)	W32VT (4)	U32VT (4)	U32RT (4)			U32RT (4)	
YAZ34TC12FX90			3						1.78 [45]														
YAZ34TC58FX	1	5/8 [M16]	1			.69 [18]	4.34 [110]	.66 [17]			.67 [17]												

REV	DATE	DESCRIPTION	ECO	BY	CHK.
E	12/16/2013 11:26:00 AM	DRAWING RELEASED	34098	GV	MB



NOTES:

- MATERIAL: COPPER TUBING.
- FINISH: TIN PLATED
- CATALOG # PT6515 ADAPTOR IS REQUIRED TO USE " U " DIES IN Y45 SERIES TOOLS.
- CATALOG # PUADP-1 ADAPTOR IS REQUIRED TO USE " U " DIES IN Y46 SERIES TOOLS.
- DIMENSIONS IN BRACKETS [ ] ARE IN MILLIMETERS. DIMENSIONS ARE ROUNDED OFF TO THE NEAREST MILLIMETER, UNLESS OTHERWISE NOTED, AND ARE FOR REFERENCE ONLY.
- UL LISTED AND CSA CERTIFIED CONNECTOR.

TO ORDER BURNDY® PRODUCTS CALL		HYLUGS™ (ONE HOLE FLEX)	
UNITED STATES 1-800-346-4175 (LONDONDERRY, NH)		ITEM NO: --	SCALE: 1:1
CANADA: 1-800-361-6975 (QUEBEC) 1-800-387-6487 (ALL OTHER PROVINCES)		CAT. NO: YAZ34- (TABLE)	REV
FOR PRODUCT INFO: <a href="http://www.burndy.com">http://www.burndy.com</a>		DRAWN BY: D. BOISVERT 08/22/00	SE212448
		CHECKER: J. MICHARD 08/28/00	E
		DSN APPVL: J. MICHARD 08/21/00	
		MFG APPVL: T. THRELFALL --	
		QA APPVL: T. WATTS --	
		MKT APPVL: J. SYLVIA --	
		PROJ #: --	
		DOCUMENT TYPE: Sales	
		REL LEVEL: Released	
		PROJ #: --	
		SIZE: D	
		SHEET 14 OF 16	

REV: PE0200