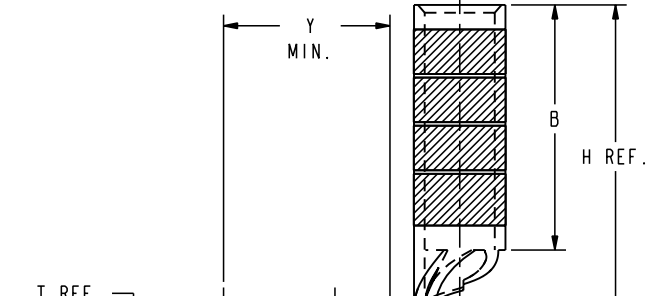
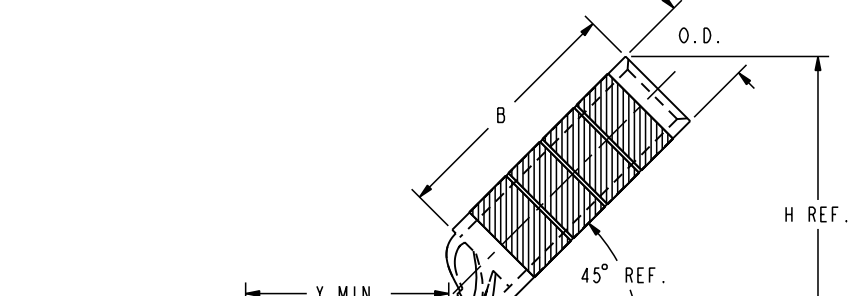
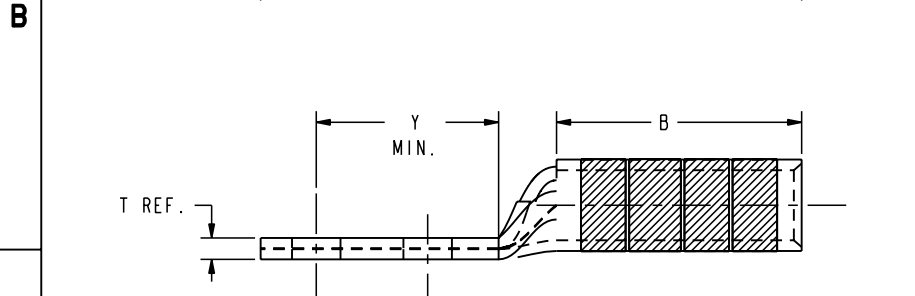
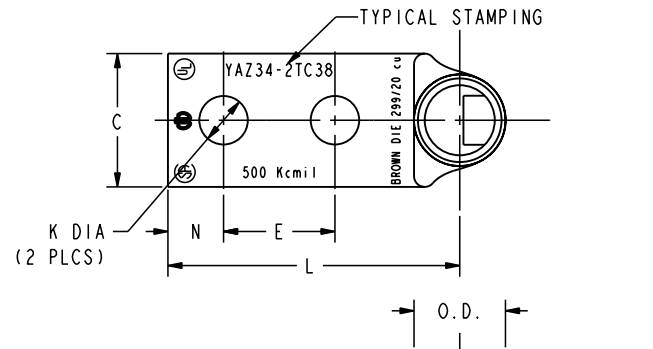
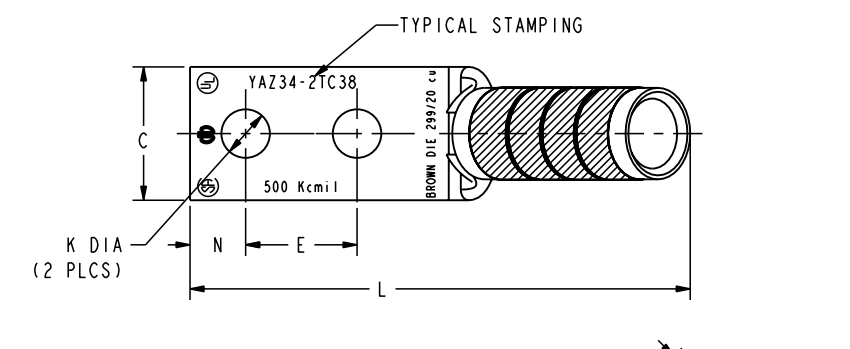
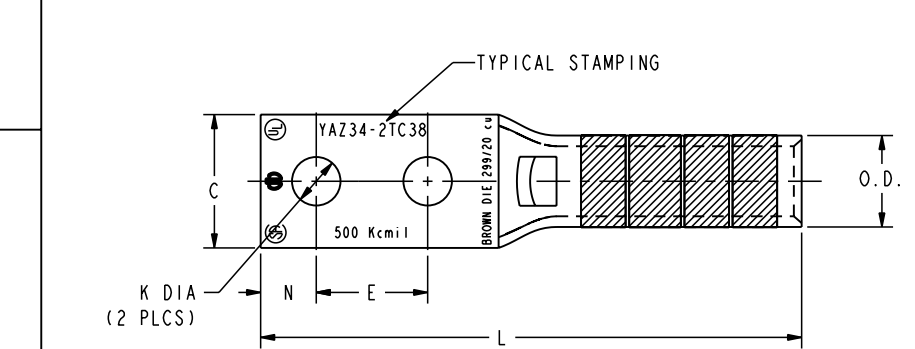


REV	DATE	DESCRIPTION	ECO	BY	C'H'K.
C	4/11/2008 12:00:00 AM	REDRAW INTO PRO-E & CATALOG NUMBER UPDATION	16757	DG	BSK

CATALOG NO.	CONDUCTOR		BOLT SIZE	FIG. NO.	DIMENSIONS										INSTALLATION TOOLING (# CRIMPS)																	
	CODE (AWG)	NAVY			B	C	E	H	K DIA.	L	N	O.D.	T REF.	Y MIN.	DIE INDEX	COLOR CODE	MECHANICAL RATCHET			HYDRAULIC				DIELESS (# CRIMPS)	WIRE STRIP LENGTH							
					±.08	±.04	±.02	REF.	±.02	±.12	±.04	±.01					MD7-34R	Y34A <6	Y750 Y35, BAT35 Y39, BAT750	Y46 <4	Y45 <3	Y48B	Y60B									
D YAZ342TC14E2	500 Kcmil [240mm ² STR]	----	1/4 [M6]	1	2.25	1.55	.75	----	.27	4.42	.31	1.06	.23	20 OR 299	BROWN	W34RT (4)	A34R (4)	U34RT (4) U31ART (2)	U34RT (4) U31ART (2)	U34RT (4) U31ART (2)	C34R (2) C31AR (1)	L34RT (2)	HYDRAULIC: Y644, Y644M Y644MBH, Y1000 Y1000BH (1)	2-5/16								
D YAZ342TC14E245					2			[39]		[19]															2.94	[75]	[103]	[8]	[28]			
D YAZ342TC14E290					3			[87]		[53]															[7]	[10]	[10]	[36]				
D YAZ342NT38					3/8 [M10]	2	2	.96	1.00	2.94	.40	4.85	.41	1.43	20 OR 299	BROWN	W34RT (4)	A34R (4)	U34RT (4) U31ART (2)	U34RT (4) U31ART (2)	U34RT (4) U31ART (2)	C34R (2) C31AR (1)			L34RT (2)							
D YAZ342NT3845																										2	[24]	[25]	[75]	[114]	[10]	[36]
D YAZ342NT3890																										3	[87]	[65]	[10]	[10]	[36]	
D YAZ342TC38					3/8 [M10]	1	1	1.55	1.00	2.94	.40	4.85	.41	1.43	20 OR 299	BROWN	W34RT (4)	A34R (4)	U34RT (4) U31ART (2)	U34RT (4) U31ART (2)	U34RT (4) U31ART (2)	C34R (2) C31AR (1)			L34RT (2)							
D YAZ342TC3845																										2	[39]	[25]	[75]	[114]	[10]	[36]
D YAZ342TC3890																										3	[87]	[65]	[10]	[10]	[36]	
C YAZ342NTC	500 Kcmil [240mm ² STR]	----	1/2 [M12]	1	2.25	1.55	1.75	----	.56	6.04	.62	1.06	.23	20 OR 299	BROWN	W34RT (4)	A34R (4)	U34RT (4) U31ART (2)	U34RT (4) U31ART (2)	U34RT (4) U31ART (2)	C34R (2) C31AR (1)	L34RT (2)	2-5/16									
C YAZ342NTC45								2		[39]														[44]	[75]	[144]	[16]	[61]				
C YAZ342NTC90								3		[87]														[87]	[14]	[94]	[16]	[61]				



- NOTES:
- MATERIAL: COPPER TUBING.
 - FINISH: TIN PLATED
 - CATALOG # PT6515 ADAPTOR IS REQUIRED TO USE "U" DIES IN Y45 SERIES TOOLS.
 - CATALOG # PUADP-1 ADAPTOR IS REQUIRED TO USE "U" DIES IN Y46 SERIES TOOLS.
 - DIMENSIONS, METRIC WIRE, & METRIC BOLT SIZES IN BRACKETS [] ARE IN MILLIMETERS. DIMENSIONS ARE ROUNDED OFF TO THE NEAREST MILLIMETER, UNLESS OTHERWISE NOTED, AND ARE FOR REFERENCE ONLY.
 - FOR USE BY CUSTOMERS THAT HAVE THIS HYPRESS™ NO NEW Y34A HYPRESS™ ARE BEING PROCESSED.

TO ORDER BURNDY® PRODUCTS CALL		HYLUG™	
UNITED STATES 1-800-346-4175 (LONDONDERRY, NH)		ITEM NO: N/A	CAT. NO: YAZ34-2- (SEE TABLE)
CANADA: 1-800-361-6975 (QUEBEC) 1-800-387-6487 (ALL OTHER PROVINCES)		DRAWN BY: D. BOISVERT 11/12/98	CHECKER: K. HENRY 12/03/98
FOR PRODUCT INFO: http://www.burndy.com		DSN APPVL: B. MACDONALD 12/02/98	MFG APPVL: N/A
		QA APPVL: S. GARY 11/30/98	MKT APPVL: B. HARDGROVE 11/25/98
		PROJ #:	SCALE: 4:1
		SIZE: D	DRAWING NO: SE211915
		DOCUMENT TYPE: Sales	REV: C
		REL LEVEL: Released	SHEET 33 OF 36