

DRAWING NO.  
SE211915

7

6

5

4

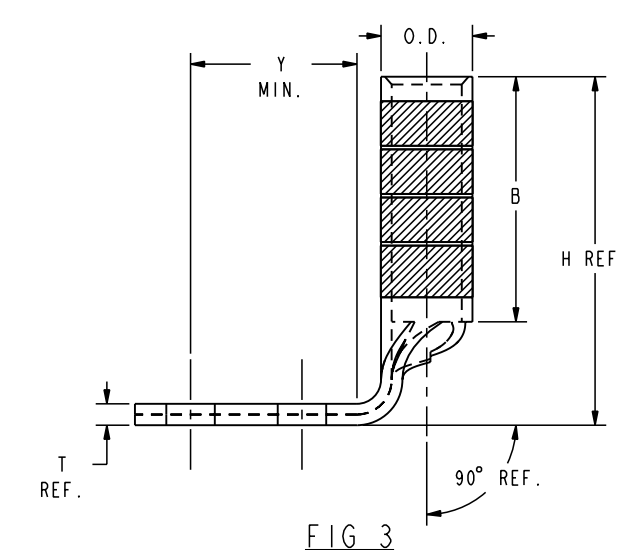
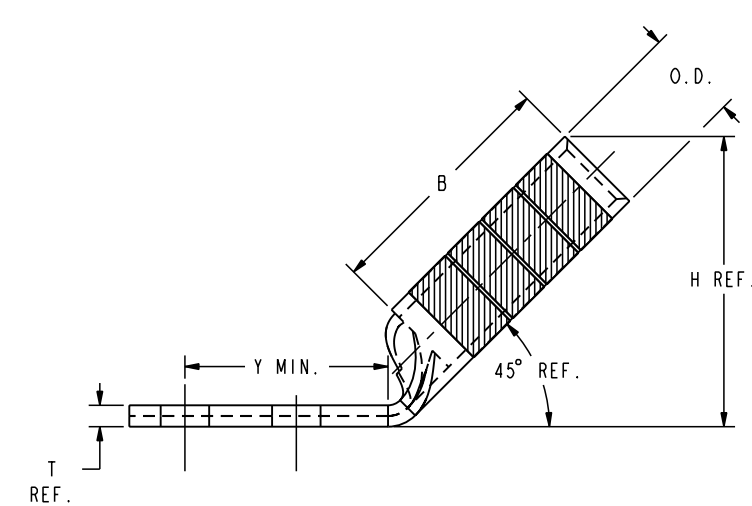
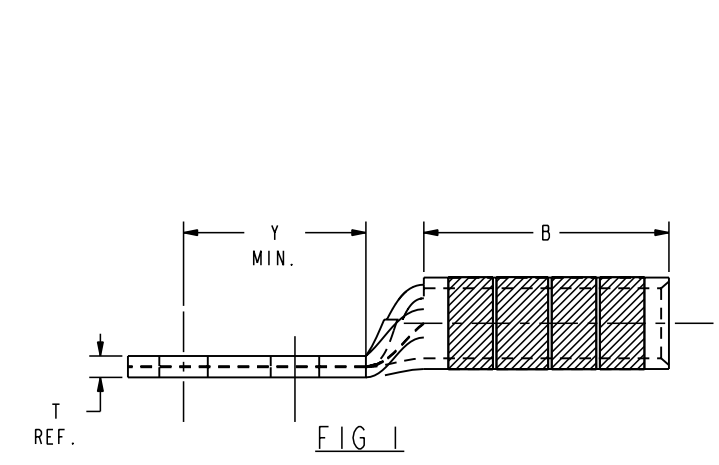
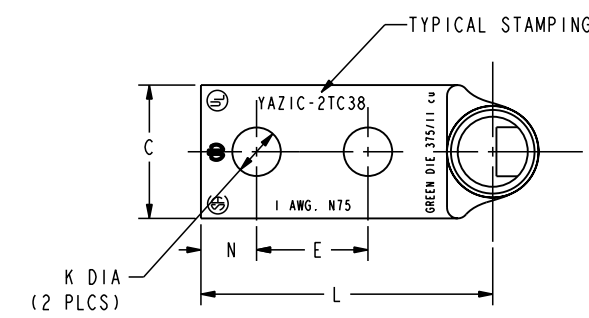
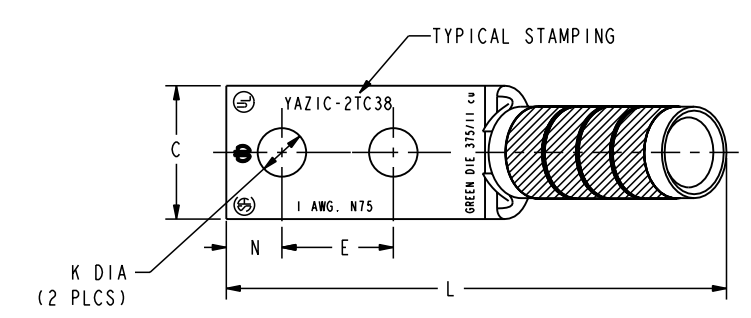
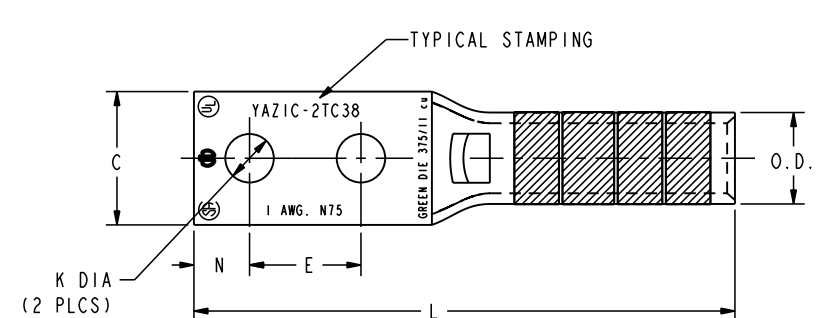
3

2

1

| REV | DATE                  | DESCRIPTION                                 | ECO   | BY | C'H'K. |
|-----|-----------------------|---|-------|----|--------|
| A   | 4/11/2008 12:00:00 AM | REDRAW INTO PRO-E & CATALOG NUMBER UPDATION | 16757 | DG | BSK    |

| CATALOG NO.  | CONDUCTOR     |      | BOLT SIZE | FIG. NO. | DIMENSIONS |          |           |        |          |          |          |         |           | INSTALLATION TOOLING (# CRIMPS) |           |                 |                    |        |                |                             |                             |                  |   |                    |                   |
|--------------|---------------|------|-----------|----------|------------|----------|-----------|--------|----------|----------|----------|---------|-----------|---------------------------------|-----------|-----------------|--------------------|--------|----------------|-----------------------------|-----------------------------|------------------|---|--------------------|-------------------|
|              | CODE (AWG)    | NAVY |           |          | B          | C        | E         | H REF. | K DIA.   | L        | N        | O.D.    | T REF.    | Y MIN.                          | DIE INDEX | COLOR CODE      | MECHANICAL RATCHET |        |                | HYDRAULIC                   |                             |                  |   | DIELESS (# CRIMPS) | WIRE STRIP LENGTH |
|              |               |      |           |          |            |          |           |        |          |          |          |         |           |                                 |           |                 | MD7-34R MD6        | OUR840 | Y2MR           | Y34A                        | Y750 Y35, BAT35 Y39, BAT750 | Y46              | Y45   |                    |                   |
| YAZIC2TC38   | #1 AWG [----] | 75   | 3/8 [M10] | 1        | 1.38 [35]  | .67 [17] | 1.00 [25] | ----   | .40 [10] | .41 [10] | .46 [12] | .10 [3] | 1.43 [36] | 11 OR 375                       | GREEN     | WICVT WICRT (2) | WICVT WICRT (2)    | ----   | AICR A4CAB (2) | UICRT U4CABT (2)            | UICRT U4CABT (2)            | UICRT U4CABT (2) | MECHANICAL: MY29-11 (1)<br>HYDRAULIC: Y644, Y644M, Y644MBH, Y1000 Y1000BH (1) | 1-7/16             |                   |
| YAZIC2TC3845 |               |      |           |          |            |          |           |        |          |          |          |         |           |                                 |           | MD7-34R MD6     | OUR840             | Y2MR   | Y34A           | Y750 Y35, BAT35 Y39, BAT750 | Y46                         | Y45              |   |                    |                   |
| YAZIC2TC3890 |               |      |           |          |            |          |           |        |          |          |          |         |           |                                 |           | MD7-34R MD6     | OUR840             | Y2MR   | Y34A           | Y750 Y35, BAT35 Y39, BAT750 | Y46                         | Y45              |   |                    |                   |



- NOTES:
1. MATERIAL: COPPER TUBING.
  2. FINISH: TIN PLATED
  3. CATALOG # PT6515 ADAPTOR IS REQUIRED TO USE "U" DIES IN Y45 SERIES TOOLS.
  4. CATALOG # PUADP-1 ADAPTOR IS REQUIRED TO USE "U" DIES IN Y46 SERIES TOOLS.
  5. NAVY CABLE SIZE MAY BE OMITTED ON SOME SIZES BECAUSE OF SPACE LIMITATIONS.
  6. DIMENSIONS, METRIC WIRE, & METRIC BOLT SIZES IN BRACKETS [ ] ARE IN MILLIMETERS. DIMENSIONS ARE ROUNDED OFF TO THE NEAREST MILLIMETER, UNLESS OTHERWISE NOTED, AND ARE FOR REFERENCE ONLY.
  7. FOR USE BY CUSTOMERS THAT HAVE THIS HYPRESS.™ NO NEW Y34A HYPRESS™ ARE BEING PROCESSED.

|  |            |                        |
|--|------------|------------------------|
| <p>TO ORDER BURNDY® PRODUCTS CALL</p> <p>UNITED STATES<br/>1-800-346-4175 (LONDONDERRY, NH)</p> <p>CANADA:<br/>1-800-361-6975 (QUEBEC)<br/>1-800-387-6487 (ALL OTHER PROVINCES)</p> <p>FOR PRODUCT INFO: <a href="http://www.burndy.com">http://www.burndy.com</a></p> | HYLUG™     |                        |
|  | ITEM NO:   | N/A                    |
|  | CAT. NO:   | YAZIC-2TC- (SEE TABLE) |
|  | DRAWN BY:  | D. BOISVERT 11/13/98   |
|  | CHECKER:   | K. HENRY 12/03/98      |
|  | DSN APPVL: | B. MACDONALD 12/02/98  |
|  | MFG APPVL: | N/A                    |
|  | QA APPVL:  | S. GARY 11/30/98       |
|  | MKT APPVL: | B. HARDGROVE 11/25/98  |
|  | PROJ #:    | ---                    |
| PROJECT #:   | ---        |                        |
| DOCUMENT TYPE:   | Sales      |                        |
| REL LEVEL:   | Released   |                        |
| SCALE:   | 4:1        |                        |
| DRAWING NO:  | SE211915   |                        |
| REV:   | A          |                        |
| SHEET:   | 19 OF 36   |                        |

8

7

6

5

4

3

2

1