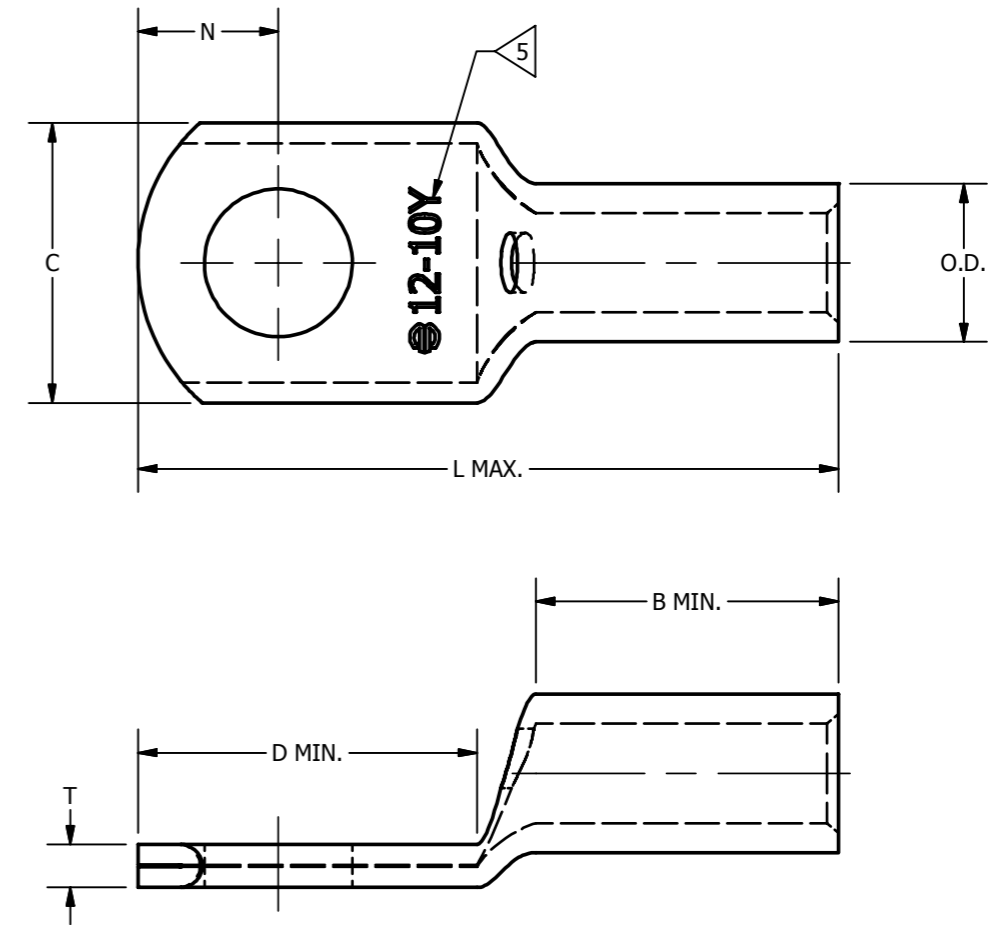


BURNDY CATALOG NUMBER	COPPER AIRCRAFT CABLE MIL-W-5036	MS26059 DASH NO.	STUD SIZE	C ±.020	D MIN.	L MAX.	N ±.010	O.D. ±.015	T ±.015	B MIN.	TOOL INDEX NUMBER
YAV18T4	AN 22 - 18	--	3-4	.188 [5]	.256 [7]	.618 [16]	.093 [2]	.210 [5]	.051 [1]	.210 [5]	1
YAV18L33		--	4-6	.250 [6]	.310 [8]	.600 [15]	.125 [3]		.040 [1]		
YAV18T5		--	4-6	.316 [8]	.404 [10]	.760 [19]	.156 [4]		.032 [1]		
YAV18T1		--	6-8								
YAV18		--	8-10								
YAV14T5	AN 16 - 14	--	4-6	.300 [8]	.404 [10]	.783 [20]	.156 [4]	.042 [1]	.250 [6]	2	
YAV14T1		--	6-8								
YAV14		--	8-10								
YAV14T2		--	1/4	.422 [11]	.576 [15]	.985 [25]	.250 [6]	.031 [1]			
YAV14T3		--	5/16	.438 [11]							
YAV10T7	AN 12 - 10	165	4-6	.298 [8]	.405 [10]	.930 [24]	.156 [4]	.210 [5]	.070 [2]	.392 [10]	4
YAV10T11		--	6-8	.380 [10]	.450 [11]	.971 [25]	.188 [5]		.060 [2]	.402 [10]	
YAV10		102	8-10	.290 [7]	.343 [9]	.860 [22]	.156 [4]		.070 [2]	.395 [10]	
YAV10L36		--	8-10	.469 [12]	.574 [15]	1.093 [28]	.234 [6]		.050 [1]	.392 [10]	
YAV10T3		--	1/4	.532 [14]	.606 [15]	1.126 [29]	.266 [7]		.040 [1]	.451 [11]	
YAV10T2		106	5/16	.558 [14]	.654 [17]	1.174 [30]	.281 [7]				
YAV10T4	128	3/8									

REV	DATE	DESCRIPTION	ECO	BY	CHK.
B	08/27/2013	REMOVE REDUNDANT YAV SALES DRAWING	29636	RK	MB



NOTES:

1. DIMENSIONS IN BRACKETS [] ARE IN MILLIMETERS ROUNDED OFF TO THE NEAREST MILLIMETER, UNLESS OTHERWISE SPECIFIED AND ARE FOR REFERENCE ONLY.
2. MATERIAL: SEAMLESS COPPER TUBING
3. FINISH: TIN PLATED
4. AVAILABLE WITH SILVER PLATING (ADD SUFFIX "SV") OR NICKEL PLATING (ADD SUFFIX "NK").

5. TYPICAL TONGUE MARKING

TO ORDER BURNDY® PRODUCTS CALL		HYLUG™ (MULTI. PEEP HOLE)	
UNITED STATES 1-800-346-4175 (LONDONDERRY, NH)		ITEM NO: SEE TABLE	
CANADA: 1-800-361-6975 (QUEBEC) 1-800-387-6487 (ALL OTHER PROVINCES)		CAT. NO: YAV-- (SEE TABLE)	
FOR PRODUCT INFO: http://www.burndy.com		DRAWN BY: E.MARTIN 07/02/2013	
		CHECKER: E.MARTIN 07/03/2013	
		DSN APRVL: E.MARTIN 07/03/2013	
		MFG APRVL: --	
		QA APRVL: C ACKERMAN 08/22/2013	
		MKT APRVL: M BAILLY 07/04/2013	
		PROJ FAM: --	
		PROJECT #: --	
		DOCUMENT TYPE: SALES	
		REL LEVEL: Released	
		DRAWING NO: 30024543	
		REV: B	
		SHEET 1 OF 1	