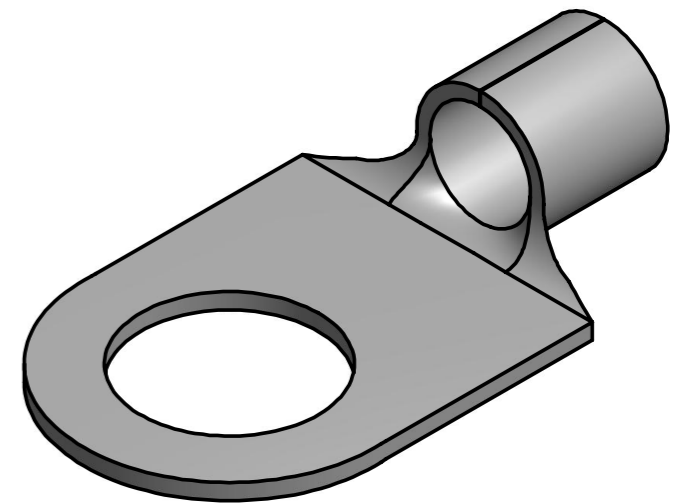
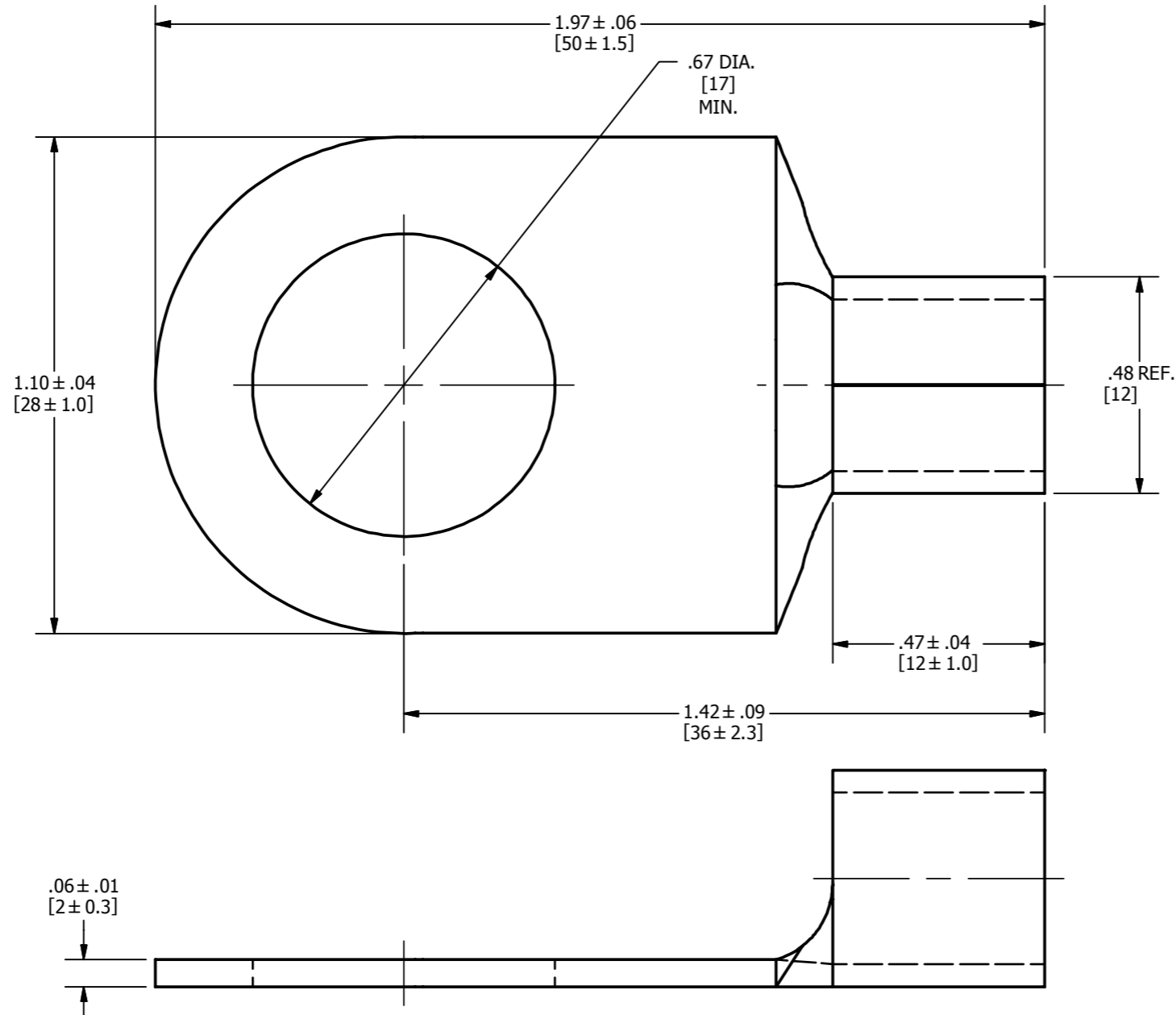


CATALOG NUMBER	WIRE RANGE	STUD SIZE [METRIC SIZE]	HYDRAULIC TOOLING				DIELESS TOOLING	NO. OF CRIMPS	WIRE STRIP LENGTH
			DIE INDEX	TOOL CAT. NO.	DIE TYPE	DIE CAT. NO.			
YAD2CM16E58	2 AWG STR.CU CODE & FLEX [25 - 35] mm ²	5/8" [16]	1018	Y35, Y39, Y750, PAT750	NEST	U1CD1	Y81KFT- SERIES PAT81KFT- SERIES Y4PC834- SERIES PAT4PC834- SERIES	1	17/32"
					INDENTOR	Y34PR			

REV	DATE	DESCRIPTION	ECO	BY	C'H'K.
A	10/25/12	CREATE INDIVIDUAL SALES DRAWINGS AS PER MARK-UP	29233	VK	MA



NOTES:

1. MATERIAL: COPPER.
2. FINISH: TIN PLATED.
3. Y35P3 ADAPTOR REQUIRED FOR Y34PR INDENTORS IN Y35, Y39, Y750 AND PAT750 TOOLS.
4. DIMENSIONS IN BRACKETS [] ARE IN MILLIMETERS ROUNDED OFF TO THE NEAREST MILLIMETER, UNLESS OTHERWISE NOTED, AND ARE FOR REFERENCE ONLY.

TO ORDER BURNDY PRODUCTS CALL		NON-INSULATED BRAZED BARREL COPPER TERMINALS	
UNITED STATES		ITEM NO: 50002409	
1-800-346-4175 (LONDONDERRY, NH)		CAT. NO: YAD2CM16E58	
CANADA:		DRAWN BY: V KAMAL 10/25/12	
1-800-361-6975 (QUEBEC)		CHECKER: J MICHAUD 11/27/12	
1-800-387-6487 (ALL OTHER PROVINCES)		DSN APRVL: J MICHAUD 11/27/12	
FOR PRODUCT INFO: http://www.burndy.com		MFG APRVL: --	
		QA APRVL: C KOWALCZYK 11/29/12	
		MKT APRVL: S GALE 11/27/12	
		PROJ #:	
		DRAWING NO	
		50012176	
		REV	
		A	
		SHEET 1 OF 1	