

*BURNDY® Engineered System*

# Tooling Solutions



 **BURNDY®**

*Experience. Technology. Answers.™*



# On the Mark. *We're Standing Behind It.*

Since 1924, BURNDY® has been at the forefront of technological innovation. From the first universal connector to the most up-to-date battery technology, our engineering has built one of the most widely used and reliable product lines available.

In fact, our products come with the assurance of the BURNDY® Engineered System. Our coordinating dies, connectors and tools are designed to work together and meet stringent, accepted quality standards.

Plus, when improving our products or debuting new ones, we're committed to ensuring they continue to work with the BURNDY® pieces you already have.

**There is no substitute for the BURNDY® system.**  
*Why take the risk with anyone else?*

# What's New

## PATRIOT® LITHIUM-ION SERIES Lithium-Ion Battery Actuated Crimping and Cutting Tools



PAT46-LI .....	7
PAT750-LI .....	9
PAT644-LI .....	12
PAT81KFT-LI .....	14
PAT4PC834-LI .....	16
PAT600-LI .....	18
PATMD6-LI Series .....	20
PATCUT129-LI .....	68
PATCUT245-LI .....	70



<b>PATRIOT® HIGH PERFORMANCE PAT750XT-18V Ni-MH Battery Actuated Crimping Tool .....</b>	<b>10</b>
--	-----------



<b>PATRIOT® IN-LINE® HIGH PERFORMANCE PATMD6-14V Ni-MH Battery Actuated IN-LINE® Crimping Tool .....</b>	<b>21</b>
--	-----------



<b>PATRIOT® PATHCC10-18V SERIES Ni-MH Battery Actuated Cutting Tool .....</b>	<b>67</b>
---	-----------



<b>DIE KITS U-Die Kits .....</b>	<b>4</b>
--------------------------------------	----------



<b>FORCEGAUGE12-15 Force Test Gauge for 12-ton &amp; 15-ton Battery and Hydraulic Crimping Tools .....</b>	<b>6</b>
--	----------

*(Continued on next page)*

# What's New

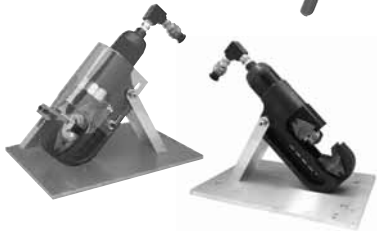
---



**MRE10-22B & MRE10-22NV**  
Ergonomic Full Cycle Ratchet Hand Tools ..... 46



**MRC840AL**  
Mechanical Crimping Tool ..... 51



**OEM CRIMPERS**  
Y46OEM12T and Y46OEM11T  
Hydraulic Crimpers ..... 62 - 63



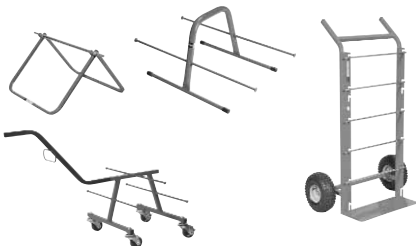
**ENFORCER™ HIW716ENF**  
Low Pressure Hydraulic Impact Wrench ..... 88



**KOMPRESSOR™ LPHY750CXT**  
Remote Operated, Low Pressure  
Hydraulic Crimper – Covered Model ..... 90



**WIRE MANAGEMENT**  
The SmartCart® ..... 110 - 112



Wire Caddies ..... 113 - 119

**TABLE OF CONTENTS**

**DIES & GAUGES**

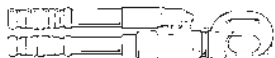
12 Ton U Dies ..... 4  
 W Dies ..... 4  
 UDIEKITCU, UDIEKITAL,  
 UDIEKITHYGRD U Die Kits ..... 5  
 FORCEGAUGE12-15. .... 6

**CRIMPERS**

**BATTERY ACTUATED**

PAT46-LI ..... 7  
 PAT46-18V ..... 8  
 PAT750-LI ..... 9  
 PAT750XT-18V ..... 10  
 PAT750K-18V ..... 11  
 PAT644-LI ..... 12  
 PAT644XT-18V ..... 13  
 PAT81KFT-LI ..... 14  
 PAT81KFT-18V ..... 15  
 PAT4PC834-LI ..... 16  
 PAT4PC834-18V ..... 17  
 PAT600-LI ..... 18  
 PAT600-18V ..... 19  
 PATMD6-LI ..... 20  
 PATMD6-14V ..... 21

**SELF-CONTAINED  
 HYDRAULIC**



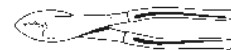
Y750HSXT & Y750CHSXT ..... 22  
 Y35 & Y35-2 ..... 23  
 Y35 Accessories ..... 24  
 Y39 ..... 25  
 Y644HSXT ..... 26  
 Y81KFT ..... 27  
 Y4PC834 ..... 28  
 Y500CT-HS ..... 29

**REMOTE HYDRAULIC**



Y60BHU & Y60BHUD ..... 30  
 Y46, Y46C ..... 31  
 Y45 ..... 32  
 Y750BHXT & Y750CBHXT ..... 33  
 Y35BH ..... 34  
 Y39BH ..... 35  
 Y644MBH ..... 36  
 Y81KFTMBH ..... 37  
 Y4PC834MBH ..... 38  
 Y34BH ..... 39  
 Y29BH ..... 40

**MECHANICAL  
 AND RATCHET**



Y10D ..... 41  
 Y10-22 ..... 42  
 YF-TOOL ..... 43  
 Y8MRB-1 ..... 44  
 MR8 ..... 45  
 MRE10-22B, MRE10-22NV ..... 46  
 MR15, MR18, MR20 ..... 47  
 MR4C ..... 48  
 Y1MRTC ..... 49  
 M8ND ..... 50  
 MRC840, MRC840AL ..... 51  
 MY29, MY28 ..... 52  
 OH25 ..... 53  
 OUR840 ..... 54  
 MD6, MD6-4, MD6-6, MD6-8, MD6-12,  
 MD6-14, MD6-37, MD6-38, MD6-K ..... 55  
 MD7, MD7-6, MD7-8 ..... 56  
 MD7-34R ..... 57  
 MD6R ..... 58  
 MD6 Hotstick Tools ..... 59  
 MD6/MD7 Accessories ..... 60  
 RK147-2 & WIREMIKE ..... 61

**OEM HYDRAULIC**

Y46OEM12T ..... 62  
 Y46OEM11T ..... 63

**OEM PNEUMATIC**

Y29NC ..... 64  
 TFM Tape Fed Machine ..... 65  
 TFM Installation Tooling Chart ..... 66

**CUTTERS**

**BATTERY ACTUATED**

PATHCC10-18V ..... 67  
 PATCUT129-LI ..... 68  
 PATCUT129ACSR-18V ..... 69  
 PATCUT245-LI ..... 70  
 PATCUT245CUAL-18V ..... 71  
 BCC1000CUAL ..... 72

**SELF-CONTAINED HYDRAULIC**

Y CUT129ACSR ..... 73

**REMOTE HYDRAULIC**

RHCC129ACSR ..... 74  
 RHCC245CUAL ..... 75

*(Table of Contents continued on page 2)*

**TABLE OF CONTENTS**

(Continued)

**MECHANICAL AND RATCHET**  
 MCC500, MCC1000 ..... 76  
 RCC336, RCC556, RCC600, RCC750HD,  
 RCC954ACSR1K, RCC1000 ..... 77

**HYDRAULIC PUMPS**  
 HP10, HP8, HP6 ..... 78  
 FP10, FP8, FP6 ..... 79  
 Y10AC9 ..... 80  
 EPP10, EPP6 ..... 81  
 EPAC10, EPAC8, EPAC6 ..... 82  
 EP10, EP10-2, EP8, EP6 ..... 83  
 EP10-1HP, EP10-1HP-2 ..... 84  
 GP10 ..... 85  
 Hydraulic Hoses ..... 86  
 Accessories ..... 87

**LOW PRESSURE HYDRAULIC**  
**ENFORCER™ HIW716ENF**  
 Impact Wrench ..... 88  
**HIW-716R1, HIW716VTR1**  
 Impact Wrenches ..... 89  
**KOMPRESSOR™ LPHY750XT,**  
**LPHY750CXT** ..... 90  
**HBR40, HBR66** Hydraulic Breakers ..... 91  
**HTP3, HP3** 3" Submersible Pumps ..... 92  
**HP2HV** 2" Submersible Pump ..... 92  
**HPTR1** Pole Tampers  
 and Accessories ..... 93  
**HHS, HPS** Chain Saws ..... 94  
**HPP18, HPP18-2**  
 Hydraulic Power Packs ..... 95  
**HPP5** Hydraulic Power Pack ..... 95  
**LPHT Accessories** ..... 96

**KNOCKOUTS**  
**MECHANICAL AND RATCHET**  
**BKOM50125** Knockout Set ..... 97  
**BKOM152** Knockout Set ..... 98  
**BKOH2540** Knockout Set ..... 99  
**BKOW520** Knockout Set ..... 100  
**BKOR520** Knockout Set ..... 101

**HYDRAULIC**  
**BKOS5290** Knockout Set ..... 102  
**BKOS520** Knockout Set ..... 103  
**BKOH520A** Knockout Set ..... 104  
**BKOH540A** Knockout Set ..... 105  
**BKOF520** Knockout Set ..... 106  
**BKOF540** Knockout Set ..... 107

**BENDERS**  
**HAND BENDERS**  
**B12E, B34E12R, B1E34R**  
 Conduit Hand Benders ..... 108

**ELECTRIC BENDERS**  
**BEB122** Electric Conduit Bender ..... 109

**WIRE MANAGEMENT**  
**The SmartCart®**  
**BSC2H** 2 Wheel Heavy Duty Cart ..... 110  
**BSC2L** 2 Wheel Light Duty Cart ..... 111  
**BSCWS40, BSCWS80**  
 Wall Wire Reel Storage Systems ..... 112

**WIRE CADDIES**  
**BWC04EHC** Economy Hand Caddy ..... 113  
**BWC06FHC** Folding Wire Caddy ..... 113  
**BWC01CMC**  
 Compact Medium Caddy ..... 113  
**BWC01CDC** Compact Caddy ..... 113  
**BWC46CWD** Wire Dispenser ..... 114  
**BWC01FCMR** Folding  
 Caddy Mount Reel ..... 114  
**BWC28FAC** Folding A-Frame Caddy ..... 114  
**BWC01FSMC** Folding  
 Stud Mount Caddy ..... 115  
**BWC01FAR** Folding Add-On Reel ..... 115  
**BWC01FFMC** Folding  
 Floor Mount Caddy ..... 115  
**BWC46RC** 6 Spindle Reel Caddy ..... 116  
**BWC410RC** 10 Spindle Reel Caddy ..... 116  
**BWC420MSC** Multi-Spool Caddy ..... 116  
**BWC24HTC** Hand Truck Caddy ..... 117  
**BWC24LHTC, BWC00ADP,**  
**BWC27LHTCADP** Wire Caddies ..... 117  
**BWC24MTHTC** Wire Caddy ..... 117  
**BWC00JS** Jack Stand ..... 118  
**BWC20PRSF** Portable  
 Reel Support Frame ..... 118  
**BWC32DCC** Double Coil Caddy ..... 118  
**BWC40PC** Push Cart Caddy ..... 119  
**BWC43UC** Utility Cart Caddy ..... 119  
**BWC43TRC** Triple Reel Caddy ..... 119

**REFERENCE**  
**TABLES** ..... 120-133  
**Alpha-Numeric Index** ..... 134-136

## INTRODUCTION

### INSTALLATION TOOLS

The BURNDY® total compression program offers the most complete line of installation tooling whether mechanical, full cycle ratchet, self contained hydraulic, remote controlled hydraulic, power actuated pumps, hoses and accessories, available to the electrical industry. These tools have been designed to integrate with the complete line of BURNDY® compression connectors. Whether you're a small contractor working with #22 wire or a large utility working with 2500 kcmil conductor, there's a BURNDY® compression tool available to do the job. The benefits of compression are many; however, probably the most significant benefit is reliability. There's nothing more important to the electrical industry today than reliability. It represents the one area that leads to economical installations that will endure for the life of the installation.

### TOOL CENTER

An important element of the BURNDY® engineered system is the Tool Center, 150 Burndy Road, Littleton, NH 03561 (800-426-8720). This center provides advice and information on the operation, maintenance and repair of BURNDY® tools. The repair center is staffed with specialized technicians who provide the best possible tool repair service, for all BURNDY® tools, pumps and accessories. We designed and produced the first self contained hydraulic compression electrical connector installation tool in 1934. In our continuing efforts to provide the highest quality and highest value connection systems, we offer the current BURNDY® tool policy.

### LIMITED WARRANTY

The majority of BURNDY® tools are warranted to be free of defects in materials and workmanship for a period of five (5) years from the date of shipment. Please contact the Tool Center (800-426-8720) for warranty information on a specific item. If inspection by a certified tool technician shows the issue is due to by defective workmanship or material, BURNDY® will repair (or at our option), replace the tool.

### This Warranty does not apply where:

- Repairs or alterations have been made or attempted by others
- Repairs are required because of normal wear and tear
- The tool has been abused, misused or improperly maintained
- The use of any non-BURNDY® products has resulted in damage to the tool

### STANDARD LIMITED WARRANTY AND LIMITATION OF LIABILITY

BURNDY® warrants that the goods and services stated on the face hereof, when furnished to Buyer by BURNDY®, conform with the current written specifications and drawings of BURNDY® (or with those of the Buyer specifically accepted by BURNDY® in writing), and will be free of defects in materials and workmanship. The sole obligation of BURNDY® (and Buyer's sole and exclusive remedy) for any breach of warranty under the foregoing warranty shall be to repair (at location designated by BURNDY®) or, at the option of BURNDY®: To replace FOB the original point of delivery any goods which are non-conforming or defective and are so specified by Buyer in a written certified mail notice to an officer of BURNDY® within the applicable warranty period. BURNDY® expressly disclaims any and all express or implied warranties other than the warranty of its title to goods and the warranty hereinabove set forth. Such disclaimer includes, without limitation, warranty of fitness for a particular purpose and warranty of merchantable quality.

**Limitation of Liability** — BURNDY® will not, under any circumstances, be liable for the cost of removal or reinstallation of goods or the cost of disassembly or reassembly of equipment in connection therewith, or for loss of the use of Buyer's equipment or facilities, or for loss of business or good will or profits, or for cost of inspection or storage, or for any incidental or consequential damages of any nature or description whatever which may arise from the sale of goods to Buyer from BURNDY®.

### REPAIR POLICY

All non-warranty repaired tools are completely reconditioned and receive a limited 1-year warranty. Non-warranty repair returns tools to like new condition at a maximum cost of 40% the current cost of a new tool. A nominal service charge of \$5.00 is applied to all repairs to cover shop supplies, oil disposal and other miscellaneous services not covered as part of the standard repair. If the decision is made not to repair, a handling charge of \$25.00 will be applied plus return freight costs.

### RETURN PROCEDURE

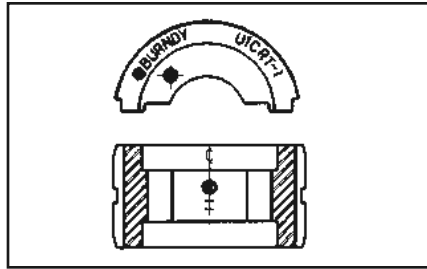
All tools sent to the BURNDY® Tool Center or an authorized repair center must be accompanied by a purchase order with detailed bill to and ship to address authorizing repair. Requests for repair charges before work is done must be stated on the purchase order. All tools sent to the BURNDY® Tool Center or an authorized repair center as a warranty claim must be accompanied by a proof of purchase such as a BURNDY® invoice or invoice from any BURNDY® distributor.

All tools must be shipped at the owner's expense, prepaid. BURNDY® pays for the return freight, same surface freight as received. Airfreight returns will be returned same way collect for non-warranty repair and prepaid for warranty repairs. This warranty and repair policy supersedes all previous policies and is in effect January 1, 2005.

## 12-TON U DIES\*

### BURNDY® Die Sets

Fits Y35, Y39, Y750 Series,  
PAT750-18V Series,  
PAT46-18V, Y46  
(W/PUADP-1 Adapter)



U die case Part# **PT29291**, holds up to 15 dies

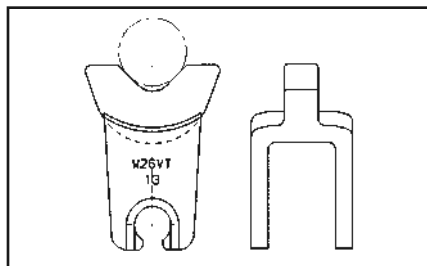
	Wire Size	Copper	Aluminum
Small	#8	U8CRT	U8CABT
	#6	U5CRT	U6CABT
	#4	U4CRT	U4CABT
	#3	U3CRT	N/A
	#2	U2CRT	U2CABT
	#1	U1CRT-1	U1CART
	1/0	U25RT	U25ART
	2/0	U26RT	U26ART
	3/0	U27RT	U27ART
	4/0	U28RT	U28ART
Large	250 kcmil	U29RT	U29ART
	300 kcmil	U30RT	U30ART
	350 kcmil	U31RT	U31ART
	400 kcmil	U32RT	U32ART
	500 kcmil	U34RT	U34ART
	535 Flex kcmil	U38XRT	N/A
	600 kcmil	U36RT	U36ART
	750 kcmil	U39RT	U39ART-2
	777 Flex	U44XRT	N/A

\* Non-tension U-type 12-ton dies for YA, YS, YA-A, YS-A style connectors.  
**NOTE:** N/A = not applicable.

## W DIES

### BURNDY® Die Sets

Fits Tools MD6, MD7,  
Y500CTHS, PAT600-18V,  
PATMD6



Cat. No. **CASEWDIES**

### Compact Die Case

Compact die case for (12) "W" or "X" die sets. Dies purchased separately.

	Wire Size	Copper	Copper	Aluminum
Small	#8	W8CVT	W8CRT	X8CART
	#6	W5CVT	W5CRT	W161
	#4	W4CVT	W4CRT	W162
	#3	W3CRT	W3CRT	N/A
	#2	W2CVT	W2CRT	W239
	#1	W1CVT	W1CRT	W163
	1/0	W25VT	W25CRT	W241
	2/0	W26VT	W26CRT	W245
	3/0	W27VT	W27CRT	W166
	4/0	W28VT	W28CRT	W660
Large	250	*W29VT	W29CRT	N/A
	300	*W30VT	W30CRT	N/A
	350	*W31VT	W31CRT	*W31ART
	400	*W32VT	W32CRT	N/A
	450	W33VT	W33CRT	
	500	*W34VT	W34CRT	N/A
	600	**W36RT	W36CRT	N/A

\* These sizes (250-500) for Y5000CTHS, MD7-34(R), BAT500, BCT500HS only.

\*\* For PAT600-18V only.

**NOTE:** N/A = not applicable.  
Suitable for use on YA, YS, YA-A, YS-A type non-tension connectors.



# UDIEKITCU, UDIEKITAL, UDIEKITHYGRD

## BURNDY® U Die Kits

Each UDIEKITCU and UDIEKITAL die kit includes 15 sets of “U” dies and the PT29291 die case. These stainless steel color coded dies are for crimping BURNDY® YA, YS, YA-A and YS-A type HYLUG™ and HYLINK™ color coded terminals and splices ranging from #6 AWG through 750 kcmil.

The UDIEKITHYGRD kit includes eight die sets. Seven dies sets are used to install the BURNDY® HYGROUND® irreversible compression grounding connectors, and the U2CABT die set for pre-crimping 1/2”, 5/8” and 3/4” ground rods for increased rotational resistance.

BURNDY® “U” dies are used in the Y35, Y39, Y750 series, PAT750-18V series, Y46, and PAT46-18V (with PUADP-1 adapter) tools.



UDIEKITHYGRD Includes	
<b>Catalog Number</b>	
<b>UC</b>	
<b>UO</b>	
<b>U997</b>	
<b>PU998</b>	
<b>U1011</b>	
<b>U1104</b>	
<b>U1105</b>	
<b>U2CABT</b> (Ground rod pre-crimp die)	
<b>PT29291</b> (Die case)	

UDIEKITCU Includes		UDIEKITAL Includes	
Copper Wire Size	Catalog Number	Aluminum Wire Size	Catalog Number
#6 AWG	<b>U5CRT</b>	#6 AWG	<b>U6CABT</b>
#4 AWG	<b>U4CRT</b>	#4 AWG	<b>U4CABT</b>
#2 AWG	<b>U2CRT</b>	#2 AWG	<b>U2CABT</b>
#1 AWG	<b>U1CRT-1</b>	#1 AWG	<b>U1CART</b>
1/0 AWG	<b>U25RT</b>	1/0 AWG	<b>U25ART</b>
2/0 AWG	<b>U26RT</b>	2/0 AWG	<b>U26ART</b>
3/0 AWG	<b>U27RT</b>	3/0 AWG	<b>U27ART</b>
4/0 AWG	<b>U28RT</b>	4/0 AWG	<b>U28ART</b>
250 kcmil	<b>U29RT</b>	250 kcmil	<b>U29ART</b>
300 kcmil	<b>U30RT</b>	300 kcmil	<b>U30ART</b>
350 kcmil	<b>U31RT</b>	350 kcmil	<b>U31ART</b>
400 kcmil	<b>U32RT</b>	400 kcmil	<b>U32ART</b>
500 kcmil	<b>U34RT</b>	500 kcmil	<b>U34ART</b>
600 kcmil	<b>U36RT</b>	600 kcmil	<b>U36ART</b>
750 kcmil	<b>U39RT</b>	750 kcmil	<b>U39ART-2</b>
Die Case	<b>PT29291</b>	Die Case	<b>PT29291</b>

### FORCEGAUGE12-15

#### Force Test Gauge

The BURNDY® FORCEGAUGE12-15 is a force gauge designed to assure users that their BURNDY® tool is supplying sufficient force to crimp connectors properly. This force gauge is a precision, self-contained load cell which converts the tool's output force into a pointer motion on a calibrated dial. The calibrated dial has two different green ranges that make it easy to identify the correct output force for either a 12 ton or 15 ton output force BURNDY® tool. The gauge is designed to work specifically on the BURNDY® PATRIOT® PAT46 and PAT750 family as well as the Y750 and Y35 self-contained family of tools. For remote head tools, BURNDY® recommends the use of our inline pressure gauge, PT11018.

The FORCEGAUGE12-15 includes two blank "U" dies, force test gauge, safety operating and maintenance instructions (SOMI) and a high impact molded carry case. The gauge comes with a 1-year limited warranty.



#### Features and Benefits

- Custom "U" die blanks with detent
  - ◇ Provides secure aligned fit onto the force gauge
- Accommodates 12 ton or 15 ton tools
  - ◇ Just one gauge can accommodate a larger family of tools
- Custom Carry Case
  - ◇ Protects the gauge, "U" die blanks and SOMI in a durable, compact polymer based case

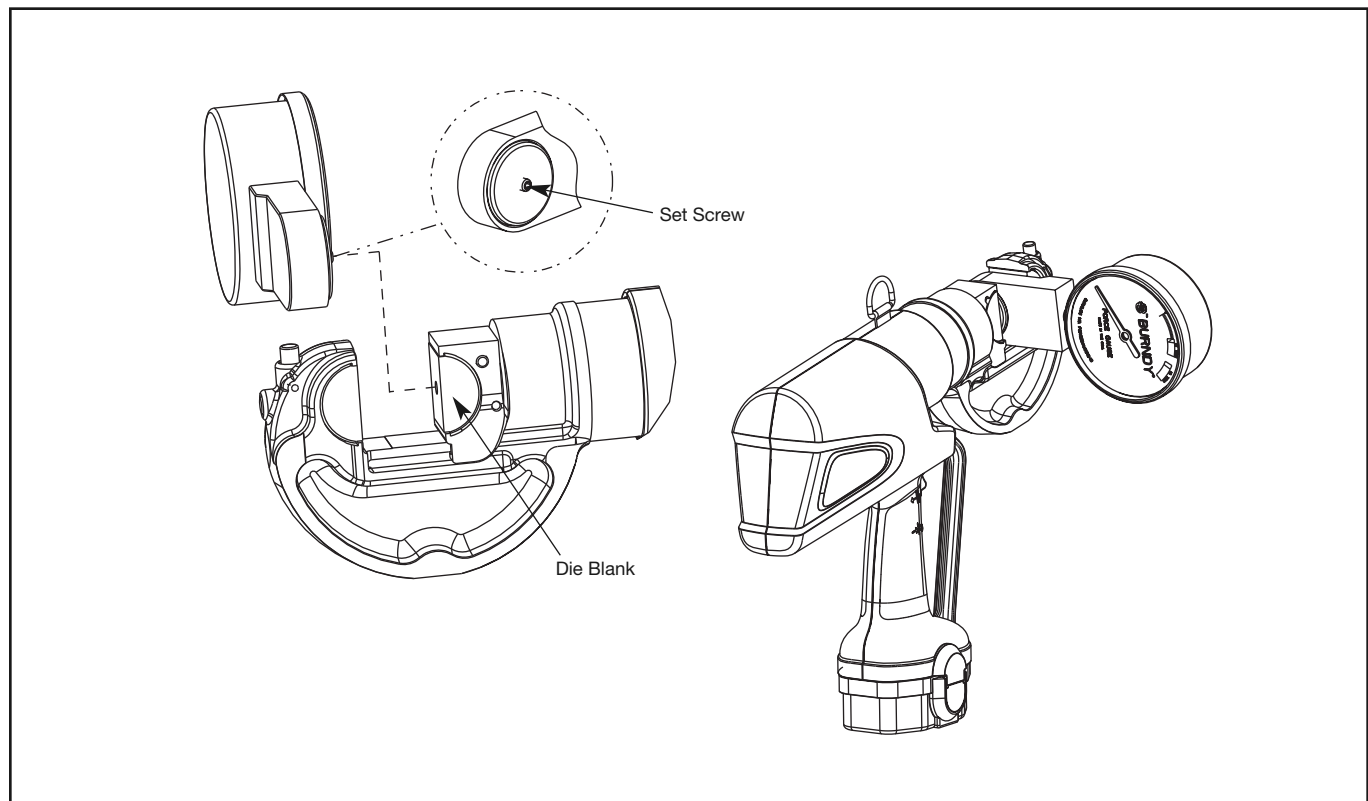
#### Specifications

Gauge	
<b>Length:</b>	8.3"
<b>Width:</b>	4.3"
<b>Height:</b>	1.5"
<b>Weight:</b>	2.7 lbs
Kit	
<b>Weight:</b>	4.5 lbs

#### For Use On

The following series of tools: PAT46\*, PAT750, BAT750, Y750 and Y35

\* The BURNDY® PUADP-1 adaptor will be required to accommodate the "U" die blanks in the 15 ton PAT46 tool.



**PATRIOT® PAT46-LI**

**18 Volt Lithium-Ion  
Battery Actuated Tool**

**Hydraulic Self-Contained  
15-Ton Crimping Tool**

The BURNDY® PATRIOT® PAT46-LI Lithium-Ion tool incorporates the latest engineering technology with a patented high speed hydraulic pump. The redesigned field proven electronics provides the ultimate reliability in the harshest work environments. BURNDY® battery actuated hydraulic tools provide a consistent, reliable connection every time. The PAT46-LI features BURNDY's Y46 tool head, capable of using all "P" and "U" style dies.

Each PATRIOT® tool uses standard BURNDY® dies and off-the-shelf connectors available world-wide. Supplied with a durable high impact formed carrying case to hold the tool, battery charger, two 18 volt Lithium-Ion batteries, tool retention lanyard, and die compartments to hold both "P" and "U" die sets (dies sold separately). All BURNDY® PATRIOT® tools are provided with a 5-year limited warranty. All PATRIOT® tools feature the BURNDY® INFINITY DRIVE® transmission which has a lifetime warranty.

**PAT46C-LI** — with rubber covered head is available.

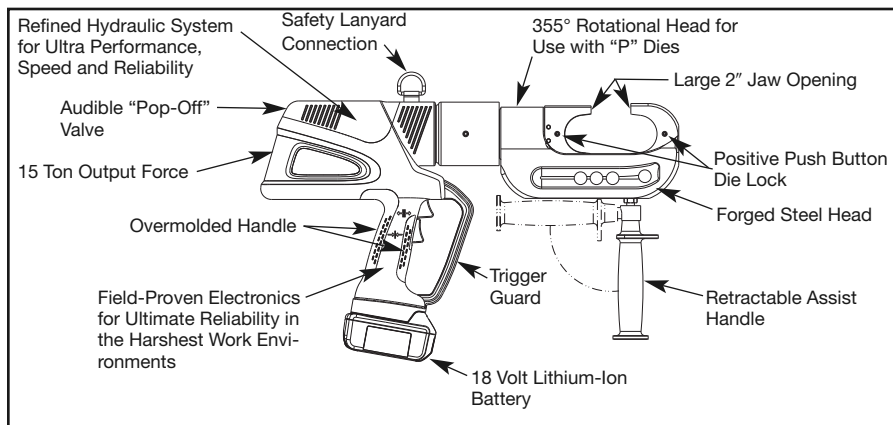
**Features and Benefits**

- BURNDY's largest battery actuated crimp tool providing 15-tons of output force with a 2" jaw opening
  - ◇ Allows users to install largest variety of splices, taps and terminals with one tool and provides easy placement and removal from continuous conductor lengths
- Redesigned field proved electronics
  - ◇ Provides the ultimate reliability in the harshest work environments



**Features and Benefits (continued)**

- Overmolded ergonomic handle
  - ◇ For comfort and improved grip; allows for one handed operation for advance, retract, and hold
- 18-volt (3.0 AH) Li-Ion batteries
  - ◇ Batteries provide 2.5 times more charge/discharge cycles than traditional Ni-Cd batteries and 430% more lifetime work
  - ◇ Less "down-time" due to high capacity (3.0 AH), 18 volt Li-Ion battery
  - ◇ No voltage depression (memory issues)
- 30-minute smart charger
  - ◇ Controls current, voltage and temperature to maximize battery life
  - ◇ Forced air cooling fan cools the battery by forcing cool air through the battery's built-in air vents
- State of the art C-Head crimp design with 355° head rotation
  - ◇ Versatile tool head positioning lets user get into tight areas easier
- Retractable assist handle under head of tool for better handling of tool
  - ◇ Allows for better balance of tool and retractable for getting head into tight areas
- Durable high impact formed carrying case
  - ◇ Provides superior protection and stores all accessories
- PAT46C-LI with rubber covered head is available
- 5-year limited warranty on tool
- Lifetime warranty on INFINITY DRIVE®
- 1-year warranty on batteries and charger



**SPECIFICATIONS**

- Output Force:** 15 tons  
(13.6 metric tons)
- Total Weight:** 25.5 lbs. (11.88 kg)
- Length:** 20.77" (52.76 cm)
- Height:** 14.43" (36.65 cm)
- Width:** 3.70" (9.40 cm)
- Operating Voltage:** 18V-DC
- Recharge Time:** 30 minutes

**FOR USE ON**

Connector Type	Conductor Range
Copper, Terminals, grounding: to 500 kcmil #8 AWG str. - 1500 kcmil Code Cable, Navy Cable, Flexible and Extra Flexible 1/2" - 1" Ground Rods	YGA, YGHA, YGF Terminals, uninsulated: #8 to 1500 kcmil: YA, YA-2N, YA-L, YA-LB, YA-TC, YA-2LN, YAB-4N YAV-L Box, YAV-L, YAV-RS Box, YAV-RS, YA-TC-FX Terminals, insulated: #8 to 2/0 YAEV-L Box, YAEV-L, YAEV-H, YAEV-RS, YAEV-RH Splices: #8 to 1500 kcmil YS, YS-T, YS-L, YS-LB, YST, YSP-T, YGS, YGHS Taps: YH, YCHC #14 to 1000 kcmil, YC-C to 4/0 AWG Taps, grounding: to 500 kcmil YGHC-C, YGHP-C, YGHR-C
Aluminum #8 AWG - 1250 kcmil Code Cables	Terminals: YA-A, AYP, AYPO Splices: YS-A, YS-AT, YRB Taps: YFD, YFN, YFO, YFR
ACSR	See BURNDY® Overhead Transmission and Distribution Catalog Module

**ACCESSORIES**

- Cutter Die:** Cat# **P15K**  
Maximum Dia. 1.2"
- "U" Die Adapter:** Cat# **PUADP-1**
- Battery:** Cat# **BAT18VLI**  
High Capacity Li-Ion (3.0 AH)
- Chargers:**
  - 120V-AC Cat# **PATCHGR-LI18V**
  - 12/24V-DC Cat# **PATCHGR-LIDC**
  - 240/250V-AC Cat# **PATCHGR-LI250V**

### PATRIOT® PAT46-18V

#### Battery Actuated Tool

#### Hydraulic Self-Contained 15-Ton Crimping Tool

The BURNDY® PATRIOT® PAT46-18V incorporates the latest engineering technology with a patented high speed hydraulic pump. Our battery actuated hydraulic tool provides a consistent, reliable connection every time. The PAT46-18V features BURNDY's Y46 tool head, capable of using all "P" and "U" style dies.

Each PATRIOT® uses standard BURNDY® dies and off-the-shelf connectors available worldwide. Supplied with a durable high impact formed carrying case to hold the tool, battery charger, two batteries, tool retention lanyard, and die compartments to hold both "P" and "U" die sets (dies sold separately). All BURNDY® PATRIOT® PAT46 tools are provided with a 5-year limited warranty.

**PAT46C-18V** — with rubber covered head is available.



#### Features and Benefits

- BURNDY's largest battery actuated crimp tool, providing 15-tons of output force with a 2" jaw opening.
  - ◇ Allows users to install the largest variety of splices, taps and terminals with one tool. Also provides easy placement and removal from continuous conductor lengths.
- State of the art C-Head crimp design with 355° head rotation.
  - ◇ Versatile tool head positioning lets user get into tight areas easier.
- Retractable assist handle under head of tool for better handling of tool.
  - ◇ Allows for better balance of tool and retractable for getting head into tight areas.
- Durable high impact formed carrying case.
  - ◇ Provides superior protection and stores all accessories.
- 18-volt Ni-MH battery eliminates voltage depression (memory issues).
  - ◇ Less "down-time" due to high capacity, high voltage 18-volt battery
- 5-year limited warranty on tool. 1-year warranty on battery and charger.

#### SPECIFICATIONS

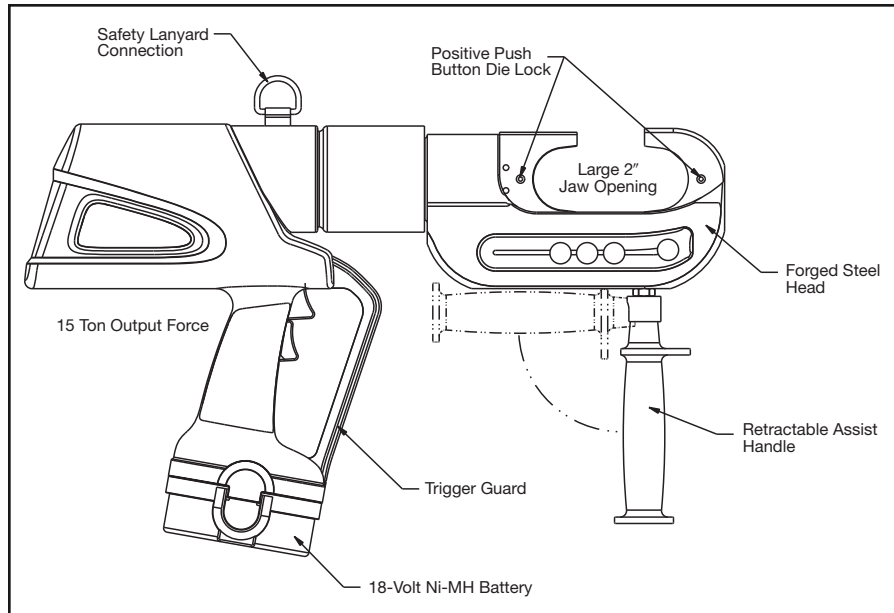
- Output Force:** 15 tons (13.6 metric tons)
- Weight:** 26.2 lbs. (11.88 kg)
- Length:** 20.77" (52.76 cm)
- Height:** 14.43" (36.65 cm)
- Width:** 3.70" (9.40 cm)
- Operating Voltage:** 18V-DC
- Battery Recharge Time:** <45 minutes

#### FOR USE ON

Connector Type	Conductor Range
Copper, Terminals, grounding: to 500 kcmil #8 AWG str. - 1500 kcmil Code Cable, Navy Cable, Flexible and Extra Flexible 1/2" - 1" Ground Rods	YGA, YGHA, YGF Terminals, uninsulated: #8 to 1500 kcmil: YA, YA-2N, YA-L, YA-LB, YA-TC, YA-2LN, YAB-4N, YAV-L Box, YAV-L, YAV-RS Box, YAV-RS, YA-TC-FX Terminals, insulated: #8 to 2/0 YAEV-L Box, YAEV-L, YAEV-H, YAEV-RS, YAEV-RH Splices: #8 to 1500 kcmil YS, YS-T, YS-L, YS-LB, YST, YSP-T, YGS, YGHS Taps: YH, YCHC #14 to 1000 kcmil, YC-C to 4/0 AWG Taps, grounding: to 500 kcmil YGHC-C, YGHP-C, YGHR-C
Aluminum #8 AWG - 1250 kcmil Code Cables	Terminals: YA-A, AYP, AYPO Splices: YS-A, YS-AT, YRB Taps: YFD, YFN, YFO, YFR
ACSR	See BURNDY® Overhead Transmission and Distribution Catalog Module

#### ACCESSORIES

- Cutter Die:** Cat# **P15K**  
Die max. 1.2" dia.
- "U" Die Adapter:** Cat# **PUADP-1**
- Battery:** Cat# **BAT18V**  
High Capacity Ni-MH (2.6 AH)
- Chargers:** Cat# **PATCHGR18V**  
120V-AC  
Cat# **BCT/PATDCCHGR**  
12/24V-DC  
Cat# **PATCHGR250V**  
240/250V-AC



**PATRIOT® HIGH PERFORMANCE PAT750-LI**

**18 Volt Lithium-Ion Battery Actuated Tool**

**Hydraulic Self-Contained 12-Ton Crimping Tool**

The BURNDY® PATRIOT® PAT750-LI Lithium-Ion tool is approximately 25% faster than the previous models. In addition to faster crimp cycles, the High Performance PAT750-LI has newly designed electronics that are field proven for ultimate reliability and proven to handle the harshest work environments.

The PAT750-LI incorporates the latest engineering technology with a refined hydraulic system for ultra performance, speed and reliability. The redesigned field proven electronics provides the ultimate reliability in the harshest work environments. All BURNDY® battery actuated hydraulic tools provide a consistent, reliable connection every time. The PAT750-LI features the BURNDY® Y750 tool head, capable of using all “U” style dies, and incorporates a bearing and alignment guide for use on HYGROUND® and other asymmetrical connectors. The crimp head rotates 355° for operation in virtually any position.

Each PATRIOT® tool uses standard BURNDY® dies and off-the-shelf connectors available world-wide. Supplied with a durable high impact formed carrying case to hold the tool, battery charger, two 18 volt Lithium-Ion batteries, tool retention lanyard, and die compartment to hold “U” die sets. (Dies sold separately.) Provided with a 5-year limited warranty. All PATRIOT® tools feature the BURNDY® INFINITY DRIVE® transmission which has a lifetime warranty.



**Features and Benefits**

- Refined hydraulic system for ultra performance, speed and reliability
- Field proven electronics for ultimate reliability in the harshest environments
- Overmolded handle for comfort and improved grip; allows for one-handed operation for advance, retract, and hold
- 18 volt Lithium-Ion batteries provide 2.5 times more charge/discharge cycles than traditional Ni-Cd batteries and provide 430% more lifetime work
- 30-minute charger controls current, voltage & temperature to maximize battery life. Forced air cooling fan cools the battery by forcing cool air through the battery’s built-in air vents
- State of the art crimping head design, 355° head rotation lets user get into tight areas easier
- Allows use of standard BURNDY® dies already in use
- Ergonomically balanced tool design eases operation
- Durable high impact formed carrying case provides superior protection and stores all accessories
- PAT750C-LI with rubber covered head is available
- 5-year limited warranty on tool
- Lifetime warranty on INFINITY DRIVE®
- 1-year warranty on batteries and charger

**SPECIFICATIONS**

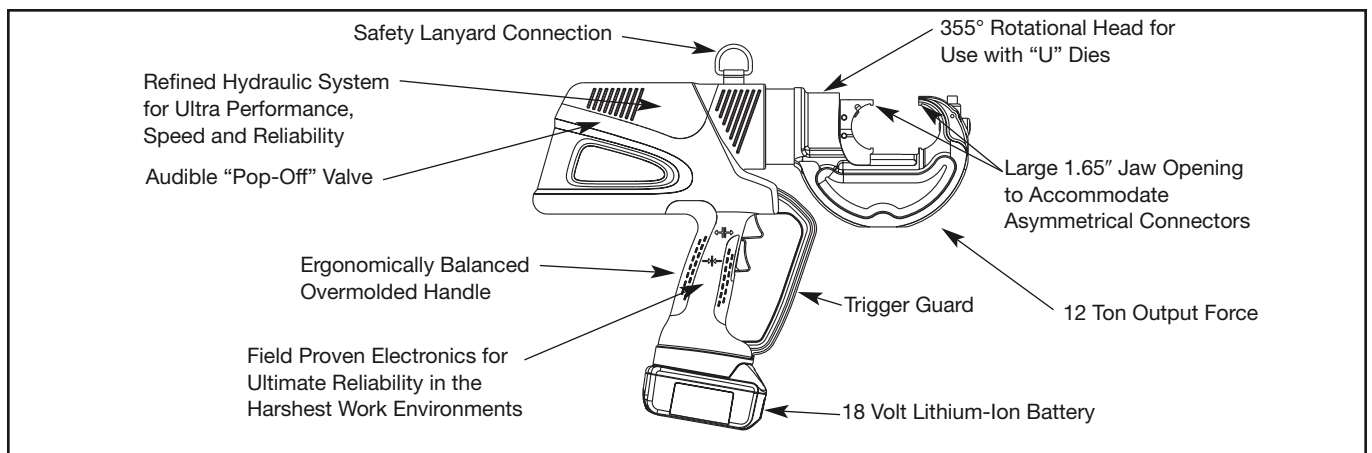
- Output Force:** 12 tons (10.9 metric tons)
- Tool Weight:** 15.7 lbs. (7.12 kg) With Battery
- Length:** 15.75” (40 cm)
- Width:** 3.5” (8.89 cm)
- Height:** 13.5” (34.29 cm)
- Operating Voltage:** 18 V-DC
- Recharge Time:** 30 minutes

**FOR USE ON**

- Tension Sleeves
  - Copper #9 sol. - 500 kcmil
  - Aluminum #8 sol. - 587.2 kcmil
  - ACSR #4 - 556.5 kcmil
- Taps
  - Copper #14 sol. - 500 kcmil
  - Aluminum #8 - 500 kcmil
- Aerial Cable
  - Copper #6 - 500 kcmil
- Terminals & Splices
  - Aluminum #8 - 750 kcmil
  - Copper #8 - 750 kcmil
  - ACSR #4 - 556 kcmil
- HYGROUND®
  - Copper #8 - 500 kcmil (cable/ground rod)
  - Ground Rods 1/2” - 1” Diameter

**ACCESSORIES**

- Battery:** Cat# **BAT18VLI** (3.0 AH) Hi-capacity
- Chargers:**
  - 120V-AC Cat# **PATCHGR-LI**
  - 12/24V-DC Cat# **PATCHGR-LIDC**
  - 240/250V-AC Cat# **PATCHGR-LI250V**
- Lanyard:** Cat# **PT208620**





### PATRIOT® HIGH PERFORMANCE PAT750XT-18V

#### Battery Actuated Tool

#### Hydraulic Self-Contained 12-Ton Crimping Tool

The BURNDY® PATRIOT® High Performance PAT750XT-18V tool is 25% faster than previous models. In addition to faster crimp cycles, the High Performance PAT750XT-18V has newly designed electronics that are field proven for ultimate reliability and proven to handle the harshest work environments.

The High Performance PAT750XT-18V incorporates the latest engineering technology with a refined hydraulic system for ultra performance, speed and reliability. All PATRIOT® tools feature the BURNDY INFINITY DRIVE® transmission which has a lifetime warranty.

The High Performance PAT750XT-18V features the BURNDY® Y750 tool head, capable of using all “U” style dies, and incorporates a bearing and alignment guide for use on HYGROUND® and other asymmetrical connectors. Features reliable head rotation design for operation in virtually any position. All PATRIOT® battery actuated hydraulic tools provide a consistent, reliable connection every time.

Each PATRIOT® tool uses standard BURNDY® dies and off-the-shelf connectors available world-wide. Supplied with a durable high impact formed carrying case to hold the tool, battery charger, two batteries, tool retention lanyard, and die compartment to hold “U” die sets. (Dies sold separately.) Provided with a 5-year limited warranty.



#### Features and Benefits

- Refined hydraulic system for ultra performance, speed and reliability.
- Field proven electronics for ultimate reliability in the harshest environments.
- True, one-handed operation for advance, retract, and hold.
- 12 tons of output force for use on virtually all compression applications.
- State of the art crimping head design, 360° head rotation lets user get into tight areas easier.
- Allows use of standard BURNDY® dies already in use.
- Ergonomically balanced tool design eases operation and helps lessen fatigue.
- Durable high impact formed carrying case provides superior protection and stores all accessories.
- PAT750CXT-18V — with rubber covered head is available.
- 18 volt Ni-MH battery eliminates voltage depression (memory issues).
- 5-year limited warranty on tool.
- Lifetime warranty on INFINITY DRIVE®.
- 1-year warranty on batteries and charger.

#### SPECIFICATIONS

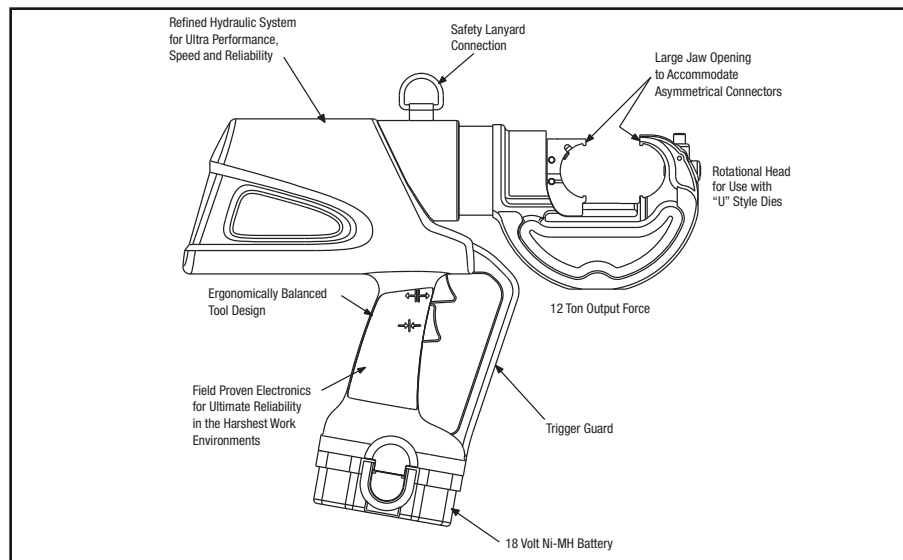
- Output force:** 12 tons  
(10.9 metric tons)
- Tool Weight:** 16.5 lbs (7.5 kg)  
With Battery
- Length:** 15.75" (40 cm)
- Width:** 3.5" (8.89 cm)
- Height:** 13.5" (34.29 cm)
- Operating Voltage:** 18 V-DC
- Recharge Time:** < 45 minutes

#### FOR USE ON

- Tension Sleeves
  - Copper #8 sol. - 500 kcmil
  - Aluminum #8 sol. - 587.2 kcmil
  - ACSR #4 - 556.5 kcmil
- Taps
  - Copper #14 sol. - 500 kcmil
  - Aluminum #8 - 500 kcmil
- Aerial Cable
  - Copper #6 - 500 kcmil
- Terminals & Splices
  - Aluminum #8 - 750 kcmil
  - Copper #8 - 750 kcmil
  - ACSR #4 - 556 kcmil
- HYGROUND®
  - Copper #8 - 500 kcmil  
(cable/ground rod)
  - Ground Rods 1/2" - 1" Diameter

#### ACCESSORIES

- Battery:** Cat# **BAT18V**  
Hi-capacity (2.6 AH)
- Chargers:**
  - 120V-AC Cat# **PATCHGR18V**
  - 12/24V-DC Cat# **BCT/PATDCCHGR**
  - 240/250V-AC Cat# **PATCHGR250V**
- Lanyard:** Cat# **PT208620**



**PATRIOT®  
PAT750K-18V**

**Battery Actuated Tool**

**Hydraulic Self-Contained  
12-Ton Crimping Tool**

The BURNDY® PATRIOT® tools can be operated with only one hand, making them the most ergonomic, one-handed battery powered crimping and cutting tools available in the world today.

The PAT750K-18V incorporates the latest engineering technology with the patented high speed hydraulic pump. Our battery actuated hydraulic tool provides a consistent, reliable connection every time. The PAT750K-18V is capable of using KEARNEY™ WH1 and WH2 and BURNDY® “U” style dies with the KUADP adapter. The PAT750K-18V head rotates 355° for operation in virtually any position.

Each PATRIOT® tool uses standard BURNDY® dies and off-the-shelf connectors available world-wide. The PAT750K-18V is supplied with a durable high impact formed carrying case to hold the tool, battery charger, two batteries, tool retention lanyard, and die compartment to hold “U” die sets. (Dies sold separately.) Provided with a 5-year limited warranty.



**Features and Benefits**

- True, one-handed operation for advance, retract, and hold.
- 12-ton output force.
- State of the art crimping head design with 355° rotation.
- Positive lock die buttons to secure dies or die adapter.
- Allows use of standard BURNDY® “U” dies with KUADP adapter, and KEARNEY™ WH1 and WH2 dies.
- Smoother, quieter, more efficient tool operation.
- **PAT750CK-18V** with rubber covered head is available.
- Ergonomically balanced tool design to help lessen operator fatigue.
- Durable high impact formed carrying case.
- 18 volt Ni-MH battery eliminates voltage depression (memory issues).
- 5-year limited warranty on tool.
- Lifetime warranty on INFINITY DRIVE®.
- 1-year warranty on battery and charger.

**SPECIFICATIONS**

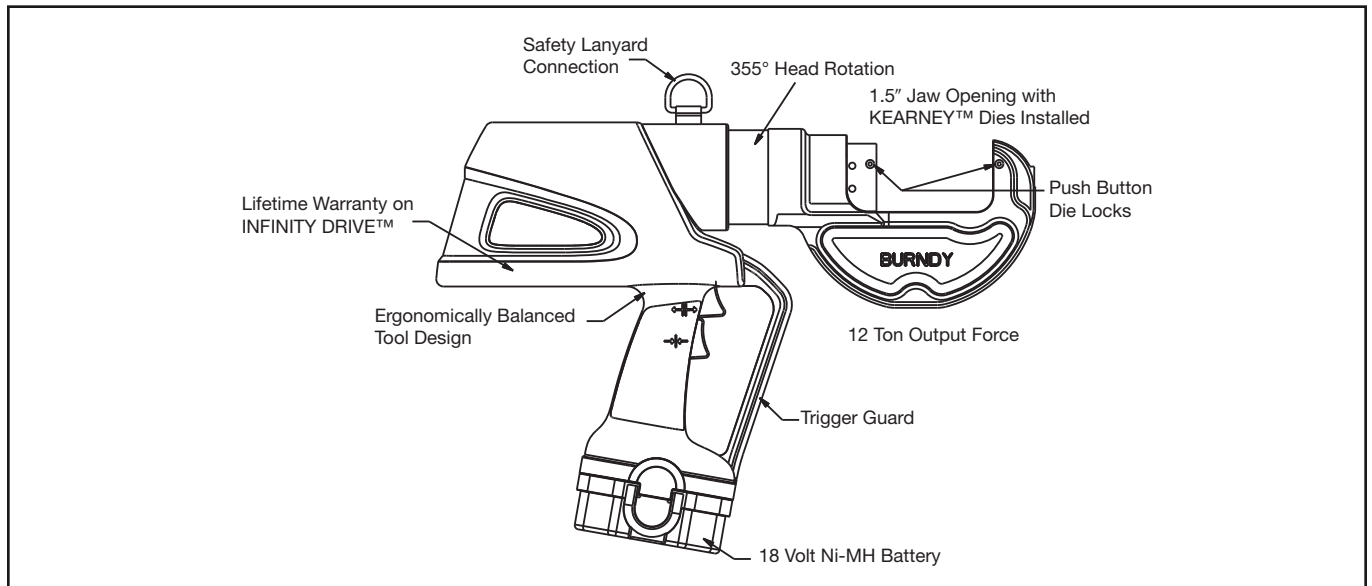
- Output Force:** 12 tons (10.9 metric tons)
- Tool Weight:** 18.4 lbs. (8.3 kg) with battery
- Length:** 17.5" (44.45 cm)
- Width:** 3.5" (8.89 cm)
- Height:** 13.5" (34.29 cm)
- Operating Voltage:** 18 V-DC
- Recharge Time:** < 45 minutes

**FOR USE ON**

- Tension Sleeves up to 477 ACSR
- Taps through 500 kcmil
- Terminals up to 1033 kcmil

**ACCESSORIES**

- “U” Die Adapter:** Cat# **KUADP**
- Battery:** Cat# **BAT18V**  
Hi-capacity (2.6 AH)
- Chargers:**
  - 120V-AC Cat# **PATCHGR18V**
  - 12/24V-DC Cat# **BCT/PATDCCHGR**
  - 240/250V-AC Cat# **PATCHGR250V**
- Lanyard:** Cat# **PT208620**



**PATRIOT®  
HIGH PERFORMANCE  
PAT644-LI**

**18 Volt Lithium-Ion  
Battery Actuated Tool**

**Hydraulic Self-Contained  
11-Ton Dieless Crimping Tool**

The BURNDY® PATRIOT® PAT644-LI Lithium-Ion tool is approximately 25% faster than the previous models. In addition to faster crimp cycles, the High Performance PAT644-LI has newly designed electronics that are field proven for ultimate reliability and proven to handle the harshest work environments.

The PAT644-LI incorporates the latest engineering technology with a refined hydraulic system for ultra performance, speed and reliability. The redesigned field proven electronics provides the ultimate reliability in the harshest work environments. All BURNDY® battery actuated hydraulic tools provide a consistent, reliable connection every time. The PAT644-LI features the BURNDY® Y644 dieless latch head which eliminates the need to purchase and maintain dies. The crimp head rotates 355° for operation in virtually any position.

The PAT644-LI is supplied with a durable high impact formed carrying case to hold the tool, battery charger, two 18 volt Lithium-Ion batteries and tool retention lanyard. Most BURNDY® PATRIOT® 18V series tools are provided with a 5-year limited warranty. All PATRIOT® tools feature the BURNDY® INFINITY DRIVE® transmission which has a lifetime warranty.

**PAT644-LI Range Taking Capabilities:**

Refer to the individual connector pages for detailed information on the PAT644-LI range taking capabilities.



**Features and Benefits**

- Refined hydraulic system for ultra performance, speed and reliability
- Field proven electronics for ultimate reliability in the harshest environments
- Overmolded handle for comfort and improved grip; allows for one-handed operation for advance, retract, and hold
- 18-volt Lithium-Ion batteries provide 2.5 times more charge/discharge cycles than traditional Ni-Cd batteries and provide 430% more life time work
- 30-minute charger controls current, voltage & temperature to maximize battery life.
- Forced air cooling fan cools the battery by forcing cool air through the battery's built-in air vents
- Dieless system eliminates the need to purchase and maintain dies
- Dieless system allows connectors and splices to become range taking
- State of the art crimping head design, 355° head rotation lets user get into tight areas easier
- Ergonomically balanced tool design eases operation
- Durable high impact formed carrying case provides superior protection and stores all accessories
- 5-year limited warranty on tool
- Lifetime warranty on INFINITY DRIVE®
- 1-year warranty on batteries and charger

**SPECIFICATIONS**

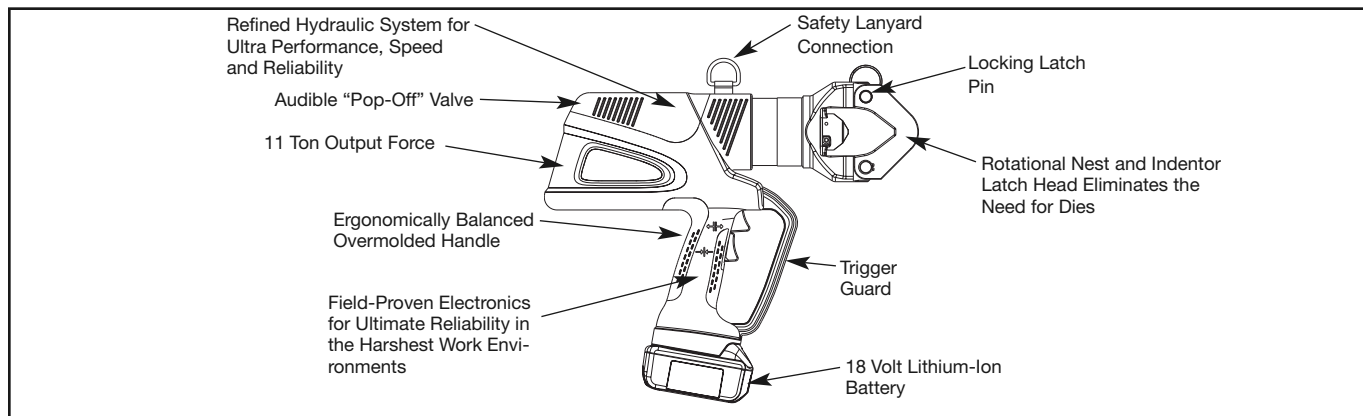
- Output Force:** 11 tons (10 metric tons)
- Tool Weight:** 16.3 lbs (7.39 kg)  
With Battery
- Length:** 15.6" (39.6 cm)
- Width:** 3.2" (8.1 cm)
- Height:** 14.1" (35.8 cm)
- Operating Voltage:** 18 V-DC
- Recharge Time:** 30 minutes

**FOR USE ON**

AWG/kcmil Wire Size Range	Connector Types
<b>Copper</b> 6-1000 kcmil	<b>Terminals:</b> YA-L, YA-2LN, YA, YA-2N, YA-L-2TC, YAB-4N, YA-L-TC, YA-2L, YA-4N <b>Splices:</b> YS-L, YS, YS-T
<b>Aluminum</b> #6 – 750 kcmil	<b>Terminals:</b> YA-A, YA-A-TN <b>Splices:</b> YS-A
<b>Aluminum</b> #6 – 750 kcmil	<b>HYPLUG™:</b> AYP, AYP0

**ACCESSORIES**

- Battery:** Cat# **BAT18VLI**  
(3.0 AH) Hi-capacity
- Chargers:**  
120V-AC Cat# **PATCHGR-LI**  
12/24V-DC Cat# **PATCHGR-LIDC**  
1240/250V-AC Cat# **PATCHGR-LI250V**
- Lanyard:** Cat# **PT208620**





**PATRIOT®  
PAT644XT-18V**

**Battery Actuated Tool**

**Hydraulic Self-Contained  
11-Ton Dieless Crimping Tool**

The BURNDY® PATRIOT® series of battery actuated tools can be operated with only one hand, which allows the other hand to be free to position the connector and conductor prior to crimping.

The BURNDY® PATRIOT® PAT644XT-18V incorporates the latest engineering technology with patent pending pump, transmission and piston component designs. Our self-contained hydraulic tool provides a consistent, reliable connection every time. The PAT644XT-18V features the BURNDY® Y644 dieless latch head which eliminates the need to purchase and maintain dies. Features reliable head rotation design for operation in virtually any position.

Each PATRIOT® uses standard BURNDY® off-the-shelf connectors available worldwide. Supplied with a durable high impact formed carrying case to hold the tool, battery charger, two batteries, and tool retention lanyard. Provided with a 5-year limited warranty.

**PAT644XT-18V Range Taking Capabilities:**  
Please refer to the individual connector pages for detailed information on the PAT644XT-18V range taking capabilities.



**FEATURES**

- Dieless system.
- True, one-handed operation for advance, retract, and hold.
- 11-ton output force.
- State of the art crimping head design, 360° head rotation.
- Audible “pop-off” indicates properly completed crimps.
- Ergonomically balanced tool design.
- Durable High Impact Formed carrying case.
- Ni-MH battery eliminates voltage depression (memory issues).
- 5-year limited warranty on tool.
- 1-year warranty on batteries and charger.

**SPECIFICATIONS**

- Crimp Force:** 11 Tons (10.9 metric tons)
- Tool Weight:** 17 lbs (7.7 kg)
- Length:** 14.9” (37.8 cm)
- Width:** 3.7” (9.4 cm)
- Height:** 14” (35.6 cm)
- Operating Voltage:** 18 V-DC
- Recharge Time:** < 45 mins.

**BENEFITS**

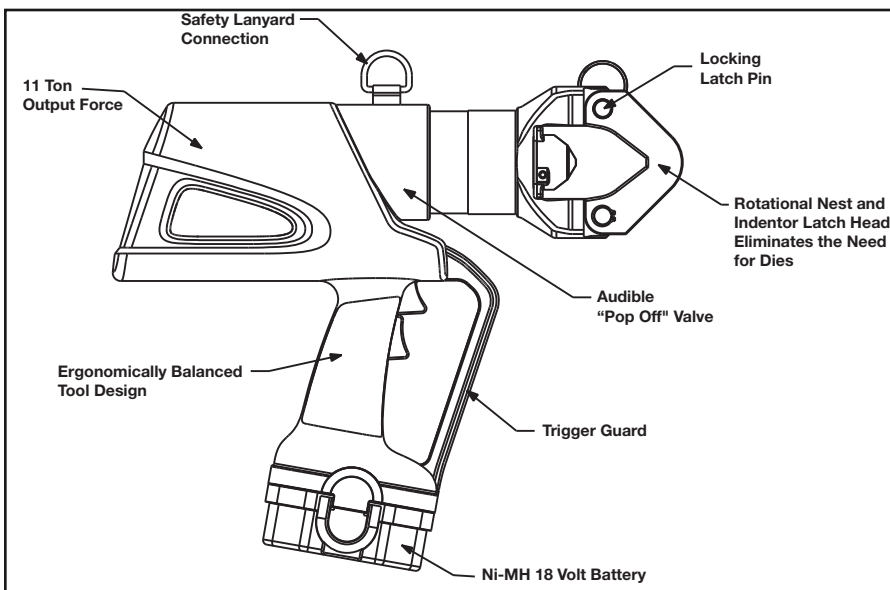
- Eliminates the need to purchase and maintain dies.
- Easier tool operation.
- Versatile tool head positioning lets user get into tight areas easier.
- Less “down-time” due to high capacity, high voltage 18 volt battery.
- Assures proper crimps with both audible and visual indicators, leaving no doubt for the tool user.
- Ergonomically balanced tool eases operation and helps lessen fatigue.
- Smoother, quieter, more efficient tool operation.
- Durable high impact formed case provides superior protection and stores all accessories.

**FOR USE ON**

<b>AWG/kcmil Wire Size Range</b>	<b>Connector Types</b>
Copper #6 - 1000 kcmil	Terminals YA-L, YA-2LN, YA, YA-2N, YA-L-2TC, YAB-4N, YA-L-TC, YA-2L, YA-4N Splices YS-L, YS, YS-T
Aluminum #6 - 750 kcmil	Terminals YA-A, YA-A-TN Splices YS-A
Aluminum #6 - 750 kcmil	HYPLUG™ AYP, AYPO

**ACCESSORIES**

- Battery:** Cat# **BAT18V**  
Hi-capacity Ni-MH (2600 mA-hr)
- Chargers:** Cat# **PATCHGR18V**  
120V-AC Cat# **BCT/PATDCCHGR**  
12/24V-DC Cat# **PATCHGR250V**  
240/250V-AC
- Lanyard:** Cat# **PT208620**



### 4-POINT® PATRIOT® PAT81KFT-LI

#### 18 Volt Lithium-Ion Battery Actuated Tool

#### Hydraulic Self-Contained 6-Ton 4-POINT® Dieless Crimping Tool

The BURNDY® PAT81KFT-LI Lithium-Ion tool incorporates the latest engineering technology with a refined hydraulic system for ultra performance, speed and reliability. The redesigned field proven electronics provide the ultimate reliability in the harshest work environments. All BURNDY® battery actuated hydraulic tools provide a consistent, reliable connection every time. The PAT81KFT-LI features a dieless latch head design which eliminates the need to purchase and maintain dies. The crimp head rotates 360° for operation in virtually any position.

The PAT81KFT-LI is supplied with a durable high impact formed carrying case to hold the tool, battery charger, two 18 volt Lithium-Ion batteries and tool retention lanyard. Provided with a 5-year limited warranty on the tool and a 1-year warranty on batteries and chargers. All PATRIOT® tools feature the BURNDY® INFINITY DRIVE® transmission which has a lifetime warranty.

#### PAT81KFT-LI Range Taking Capabilities:

The PAT81KFT-LI provides range taking capabilities that are UL Listed and CSA Certified for copper (code, compact and flex) and aluminum (code and compact) conductors when used in conjunction with BURNDY® HYLUG™ terminals and HYLINK™ splices.



### Features and Benefits

- Refined hydraulic system for ultra performance, speed and reliability
- Field proven electronics for ultimate reliability in the harshest environments
- Overmolded handle for comfort and improved grip; allows for one-handed operation for advance, retract, and hold
- 18-volt Lithium-Ion batteries provide 2.5 times more charge/discharge cycles than traditional Ni-Cd batteries and provide 430% more lifetime work
- 30-minute charger controls current, voltage and temperature to maximize battery life
- Forced air cooling fan cools the battery by forcing cool air through the battery's built-in air vents
- Dieless system eliminates the need to purchase and maintain dies
- Dieless system allows connectors and splices to become range taking
- State of the art crimping head design, 360° head rotation lets user get into tight areas easier
- Ergonomically balanced tool design eases operation and helps lessen fatigue
- Durable high impact formed carrying case provides superior protection and stores all accessories
- 5-year limited warranty on tool
- Lifetime warranty on INFINITY DRIVE®
- 1-year warranty on batteries and charger

### SPECIFICATIONS

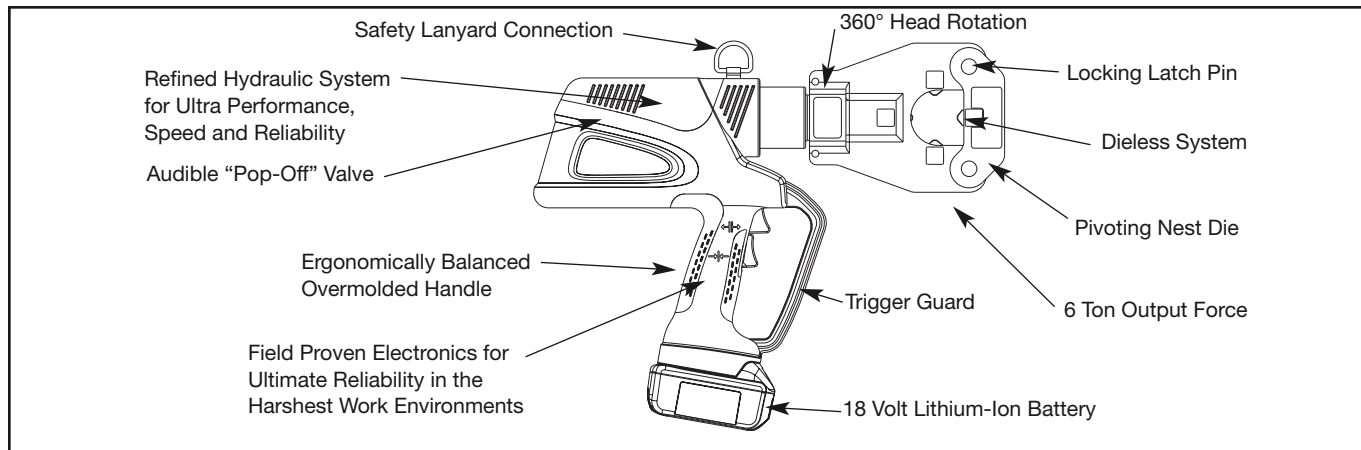
<b>Output Force:</b>	6 tons (5.4 metric tons)
<b>Tool Weight:</b>	13.2 lbs. (5.9 kg) with Battery
<b>Length:</b>	15.6" (39.6 cm)
<b>Width:</b>	3.2" (8.1 cm)
<b>Height:</b>	14.1" (35.8 cm)
<b>Operating Voltage:</b>	18 V-DC
<b>Recharge Time:</b>	30 minutes

### FOR USE ON

AWG/kcmil Wire Size Range	Connector Types
<b>Copper</b> #8-1000 kcmil	<b>Terminals</b> YA, YA-L <b>Splices</b> YS-L, YS, YS-T, Y-R
<b>Copper Flex</b> #8 - 777.7 kcmil Flex (750 Nominal)	<b>Terminals</b> YA-FX, YAV, YA-L-FX <b>Splices</b> YS, YSV-FXB
<b>Aluminum</b> #8 - 750 kcmil	<b>Terminals</b> YA-A, YA-A-TN <b>Splices</b> YS-A
<b>Aluminum</b> #8 - 750 kcmil	<b>HYPLUG™</b> AYP, AYPO

### ACCESSORIES

<b>Battery:</b>	Cat# <b>BAT18VLI</b> (3.0 AH) Hi-capacity
<b>Chargers:</b>	120V-AC Cat# <b>PATCHGR-LI</b> 12/24V-DC Cat# <b>PATCHGR-LIDC</b> 240/250V-AC Cat# <b>PATCHGR-LI250V</b>
<b>Lanyard:</b>	Cat# <b>PT208620</b>



**4-POINT® PATRIOT®  
PAT81KFT-18V**

**Battery Actuated Tool**

**Hydraulic Self-Contained  
Crimping Tool**

#8-1000 kcmil Copper HYLUG™ Terminals and HYLINK™ Splices

#8-750 kcmil Aluminum HYLUG™ Terminals and HYLINK™ Splices

The BURNDY® PAT81KFT-18V is a battery powered crimping tool that provides a powerful 6 tons of crimping force. It is compact, fast, easy to use and incorporates the latest in battery tool technology. The ergonomic design allows for one hand operation so that the other is free to position the connectors and conductor prior to crimping. The PAT81KFT-18V features a dieless latch head design which eliminates the need to purchase and maintain dies. Featuring 360° head rotation, the PAT81KFT-18V is designed for easy operation in virtually any position.

The PAT81KFT-18V is supplied with a high impact carrying case, battery charger, lanyard and two batteries. The PAT81KFT-18V comes complete with a 5-year limited warranty on the tool and 1 year limited warranty on the batteries.

**PAT81KFT-18V Dieless HYPRESS™ Range Taking Capabilities:** The PAT81KFT-18V provides range taking capabilities that is UL and CSA Listed for Copper (Code, Compact and Flex) and Aluminum (Code and Compact) conductors when used in conjunction with BURNDY® HYLUG™ terminals and HYLINK™ splices. *See chart for connector, conductor and range taking combinations.*



**Features and Benefits**

- Dieless installation system.
  - ◇ Eliminates the need to purchase and maintain dies.
- UL Listed and CSA Certified with Range Taking Capabilities
  - ◇ Provides the installer with UL Listed and CSA Certified crimps with Range Taking Capabilities when used in conjunction with BURNDY® HYLUG™ Terminals and HYLINK™ Splices
- Audible pressure “pop-off” valve and die embossment providing 360° inspectability.
  - ◇ Assures proper crimps with both audible and visual indicators for the installer.
- Battery powered crimp technology.
  - ◇ Easy Tool Operation and portability.
- Advanced high speed pump design.
  - ◇ Provides faster crimps, longer life, efficiency, and reliability.
- Ergonomic design allows one hand operation for ram advance and ram retraction.
  - ◇ User always has one hand free to manipulate connector and conductor.
- 360 Degree head rotation.
  - ◇ Versatile tool head positioning lets the user get into tight areas easier.

**SPECIFICATIONS**

- Output Force:** 6 tons (5.4 Metric Tons)
- Weight:** 14 lbs. (6.35 kg)
- Length:** 17.6 (447 mm)
- Height:** 13.9 in (354 mm)
- Width:** 3.7 in (94 mm)
- Operating Voltage:** 18V-DC
- Battery Recharge Time:** <45 Mins

**FOR USE ON**

- Copper, Aluminum, Compressed, Compact, Stranded, Solid and Flex Conductors.
- Installs Splices, Taps and Terminations:
  - #8 - 1000 kcmil Copper (YA, YA-L, YS, YS-L, YS-T, Y-R )
  - #8 - 777.7 (750 Nominal Flex Wire Size) kcmil Flex (YA-FX, YAV, YA-L-FX, YS, YSV-FXB)
  - #8 - 750 kcmil Aluminum (YA-A, YS-A)
  - #8 - 750 kcmil Aluminium Pin Adapters (AYP, AYPO)

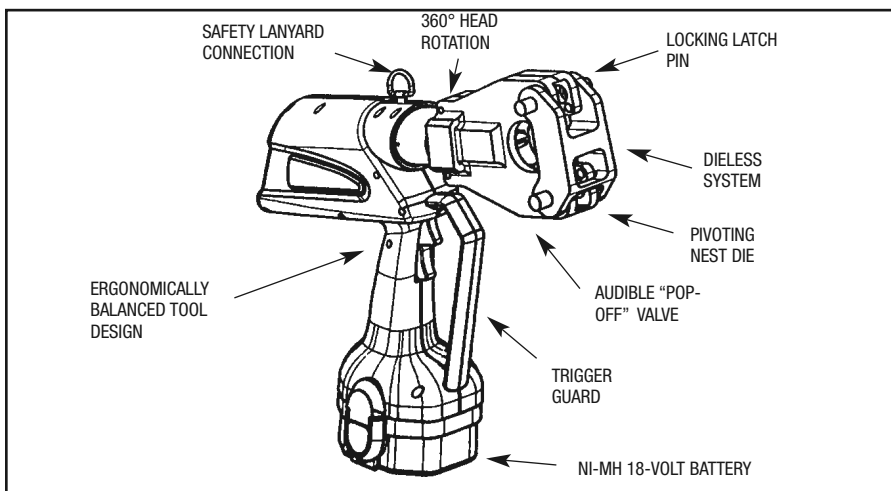
**ACCESSORIES**

- Battery:** Cat# **BAT18V**  
Hi Capacity Ni-MH (2.6 AH)
- Chargers:** 120V-AC Cat# **PATCHGR18V**  
12/240V-DC Cat# **BCT/PATDCCHGR**
- Lanyard:** Cat# **PT208620**

**Features and Benefits**

*(Continued)*

- Ram holds position when trigger is released.
  - ◇ Provides the ability to hold the connector between the indentors and check for alignment prior to crimping action.
- Mechanical ram release.
  - ◇ Reliable ram release (no battery consumption).
- Uses 18 volt Ni-MH batteries.
  - ◇ Eliminates voltage depression or “memory”.
- Audible pressure “pop-off” value.
  - ◇ Indicates properly completed crimps.
- Durable high impact formed carrying case.
  - ◇ Provides tool protection and stores all accessories.
- 5-year limited warranty on tool, 1-year on batteries and charger.
  - ◇ Customer satisfaction and support.



### 4-POINT® PATRIOT® PAT4PC834-LI

#### 18 Volt Lithium-Ion Battery Actuated Tool

#### Hydraulic Self-Contained 6-Ton 4-POINT® Dieless Crimping Tool

The BURNDY® PAT4PC834-LI 4-POINT® dieless C-head Lithium-Ion tool incorporates the latest engineering technology with a refined hydraulic system for ultra performance, speed and reliability. The redesigned field proven electronics provide the ultimate reliability in the harshest work environments. All BURNDY® battery actuated hydraulic tools provide a consistent, reliable connection every time. The PAT4PC834-LI features a C-shaped head design making it ideal for crimping in tight areas and can be easily removed from continuous conductor runs. The dieless capability of this tool eliminates the need to purchase and maintain dies. The crimp head rotates 360° for operation in virtually any position.

The PAT4PC834-LI is supplied with a durable high impact formed carrying case to hold the tool, battery charger, two 18 volt Lithium-Ion batteries and tool retention lanyard. All BURNDY® PATRIOT® 18V series tools are provided with a 5-year limited warranty on the tool and a 1-year warranty on batteries and chargers. All PATRIOT® tools feature the BURNDY® INFINITY DRIVE® transmission which has a lifetime warranty.

#### PAT4PC834-LI Range Taking Capabilities:

The PAT4PC834-LI provides range taking capabilities that are UL Listed and CSA Certified for copper (code, compact and flex) and aluminum (code and compact) conductors when used in conjunction with BURNDY® HYLUG™ terminals and HYLINK™ splices. Refer to charts on pages C-7 and C-8 for connector, conductor and range taking combinations.



#### Features and Benefits

- Refined hydraulic system for ultra performance, speed and reliability
- Field proven electronics for ultimate reliability in the harshest environments
- Overmolded handle for comfort and improved grip; allows for one-handed operation for advance, retract, and hold
- 18-volt Lithium-Ion batteries provide 2.5 times more charge/discharge cycles than traditional Ni-Cd batteries and provide 430% more lifetime work
- 30-minute charger controls current, voltage and temperature to maximize battery life
- Forced air cooling fan cools the battery by forcing cool air through the battery's built-in air vents
- Dieless system eliminates the need to purchase and maintain dies
- Dieless system allows connectors and splices to become range taking
- C-shaped head design rotates 360° and allows for easy removal on continuous conductors
- Ergonomically balanced tool design eases operation and helps lessen fatigue
- Durable high impact formed carrying case provides superior protection and stores all accessories
- 5-year limited warranty on tool
- Lifetime warranty on INFINITY DRIVE®
- 1-year warranty on batteries and charger

#### SPECIFICATIONS

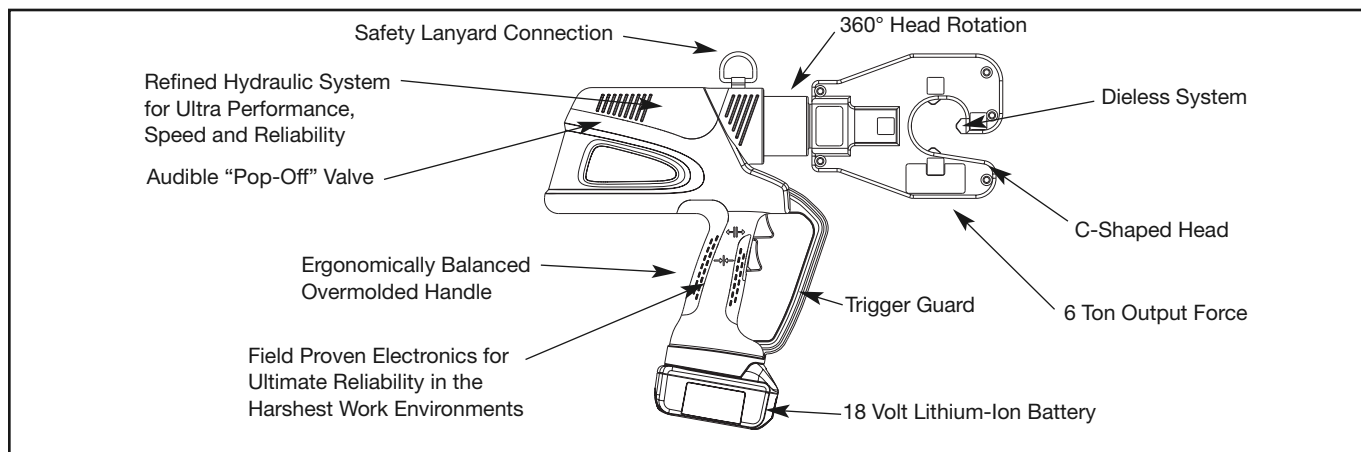
<b>Output Force:</b>	6 tons (5.4 metric tons)
<b>Tool Weight:</b>	13 lbs. (5.9 kg) with Battery
<b>Length:</b>	15.6" (39.6 cm)
<b>Width:</b>	3.2" (8.1 cm)
<b>Height:</b>	14.1" (35.8 cm)
<b>Operating Voltage:</b>	18 V-DC
<b>Recharge Time:</b>	30 minutes

#### FOR USE ON

AWG/kcmil Wire Size Range	Connector Types
<b>Copper</b> #8 - 1000 kcmil	<b>Terminals</b> YA, YA-L
#8 - 500 kcmil	<b>Splices</b> YS, YS-L, YS-T, YS-R
<b>Copper Flex</b> #8 - 777.7 kcmil Flex (750 Nominal)	<b>Terminals</b> YA-FX, YAV, YA-L-FX
	<b>Splices</b> YS, YS-LB, YSV-FXB
<b>Aluminum</b> #8 - 750 kcmil	<b>Terminals</b> YA-A
	<b>Splices</b> YS-A
<b>Aluminum</b> #8 - 750 kcmil	<b>HYPLUG™</b> AYP, AYPO

#### ACCESSORIES

<b>Battery:</b>	Cat# <b>BAT18VLI</b> (3.0 AH) Hi-capacity
<b>Chargers:</b>	120V-AC Cat# <b>PATCHGR-LI</b> 12/24V-DC Cat# <b>PATCHGR-LIDC</b> 240/250V-AC Cat# <b>PATCHGR-LI250V</b>
<b>Lanyard:</b>	Cat# <b>PT208620</b>



**4-POINT® PATRIOT®  
PAT4PC834-18V**

**Battery Actuated Tool**

**Hydraulic Self-Contained  
6 Ton Dieless Crimping Tool**

The BURNDY® PATRIOT® 4-POINT® C-shaped head dieless HYPRESS™ is a battery actuated 6 ton hydraulic crimping tool for use on a wide variety of tap, terminate, and splice compression applications. The dieless capability of this tool eliminates the need to purchase or maintain additional dies. It is compact, fast, easy to use and incorporates the latest in battery tool technology. The ergonomic design allows for one hand operation so that the other is free to position the connector and conductor prior to crimping. The PAT4PC834-18V incorporates a C-shaped head design making it ideal for crimping in tight areas and can be easily removed from continuous conductor runs. The head rotates 360° and is mated to a patented rapid advance pump. The PAT4PC834-18V weighs only 13.8 pounds and delivers 6 tons of crimping force. The result allows for easy tap, termination and splicing of compression connectors.

The PAT4PC834-18V is supplied with a molded high impact carry case, battery charger, lanyard, and two batteries. The PAT4PC834-18V comes with a 5-year limited warranty.

The PAT4PC834-18V provides range taking capabilities that are UL and CSA Listed for Copper (Code, Compact and Flex) and Aluminum (Code and Compact) conductors when used in conjunction with BURNDY® HYLUG™ terminals and HYLINK™ splices as listed on page C-7 in the Master Catalog.



**Features and Benefits**

- Dieless installation system
  - ◊ Eliminates the need to purchase and maintain dies.
- UL Listed and CSA Certified with range taking capabilities
  - ◊ Provides the installer with a UL Listed and CSA Certified crimp when used in conjunction with BURNDY® HYLUG™ and HYLINK™ compression connectors.
- C-shaped head Design
  - ◊ For easily removing tool from continuous run conductors — simply slide the opening of the head off the conductor. Also ideal for use in tight or constrained spaces.
- Audible pressure “pop-off” valve and die embossment providing 360° inspectability.
  - ◊ Assures proper crimps with both audible and visual indicators for the installer.
- Handle Trigger release
  - ◊ Convenient ram release located in the handle.

**SPECIFICATIONS**

- Output Force:** 6 Ton (5.4 Metric Tons)
- Weight:** 13.85 lbs (6.28 kg)
- Length:** 17.6 in (448 mm)
- Height:** 13.9 in (354 mm)
- Width:** 3.7 in (94 mm)

**FOR USE ON**

Copper, Aluminum, Compressed, Compact, Stranded, Solid and Flex Conductors

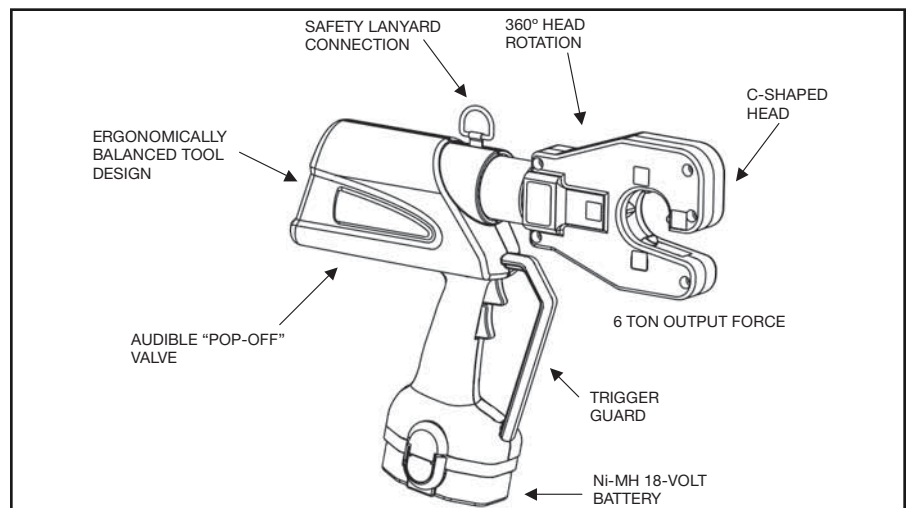
Installs Splices, Taps and Terminations

- #8 - 1000 kcmil Copper (YA, YA-L)
- #8 - 500 kcmil Copper (YS, YS-T, YS-L, Y-R)
- #8 - 777 (750 Nominal Flex Wire Size) kcmil Flex (YA-FX, YAV, YA-L-FX)
- #8 - 535 (500 kcmil nominal flex wire size) kcmil flex (YS, YS-LB, YSV-FXB)
- #8 - 750 kcmil Aluminum (YA-A)
- #8 - 350 kcmil Aluminum (YS-A)
- #8 - 750 kcmil Aluminum Pin Adaptors (AYP, AYPO)

**Features and Benefits**

*(Continued)*

- Advanced high speed pump design.
  - ◊ Provides fast crimps, longer life, efficiency, and reliability.
- 360° head rotation
  - ◊ Versatile tool head positioning lets the user get into tight areas easier.
- Durable high impact formed carrying case
  - ◊ Provides tool protection and stores all accessories.
- 5-year limited warranty
  - ◊ Customer satisfaction and support.





### PATRIOT® PAT600-LI

#### 18 Volt Lithium-Ion Battery Actuated Tool

#### Hydraulic Self-Contained 6-Ton Crimping Tool

The BURNDY® PAT600-LI Lithium-Ion tool incorporates the latest engineering technology with a refined hydraulic system for ultra performance, speed and reliability. The re-designed field proven electronics provide the ultimate reliability in the harshest work environments. All BURNDY® battery actuated hydraulic tools provide a consistent, reliable connection every time.

The PAT600-LI battery actuated tool provides 6 tons of crimping force and completes a crimp in approximately 3 seconds. The PAT600-LI incorporates a specialized latch-style head with enhanced working stroke and clearance capabilities. The latch-style head allows interference-free closure on tap connections up to the BURNDY® YHD-400 size.

Die selection with the PAT600-LI includes “W”, “X” and “W-VT” style dies which seat in the permanent “D3” crimp groove. Installation applications include #8 AWG to 600 kcmil copper lugs and splices (YA and YS), #8 AWG to 350 kcmil aluminum lugs and splices (YA-A and YS-A), and up to 4/0 aluminum tap connections.

The PAT600-LI is supplied with a durable high impact formed carrying case to hold the tool, battery charger, two 18 volt Lithium-Ion batteries and tool retention lanyard. All BURNDY® PATRIOT® 18V series tools are provided with a 5-year limited warranty on the tool and a 1-year warranty on batteries and chargers. All PATRIOT® tools feature the BURNDY® INFINITY DRIVE® transmission which has a lifetime warranty.



#### Features and Benefits

- Refined hydraulic system for ultra performance, speed and reliability
- Field-proven electronics for ultimate reliability in the harshest environments
- Overmolded handle for comfort and improved grip; allows for one-handed operation for advance, retract, and hold
- 18-volt Lithium-Ion batteries provide 2.5 times more charge/discharge cycles than traditional Ni-Cd batteries and provide 430% more lifetime work
- 30-minute charger controls current, voltage & temperature to maximize battery life
- Forced air cooling fan cools the battery by forcing cool air through the battery’s built-in air vents
- Specialized latch head design allows interference free closure on tap connections
- Permanent “D3” crimp groove accepts “W”, “X” and “W-VT” dies
- PAT600C-LI with covered head is available
- State of the art crimping head design, 180° head rotation lets user get into tight areas easier
- Ergonomically balanced tool design eases operation and helps lessen fatigue
- Durable high impact formed carrying case provides superior protection and stores all accessories
- 5-year limited warranty on tool
- Lifetime warranty on INFINITY DRIVE®
- 1-year warranty on batteries and charger

#### SPECIFICATIONS

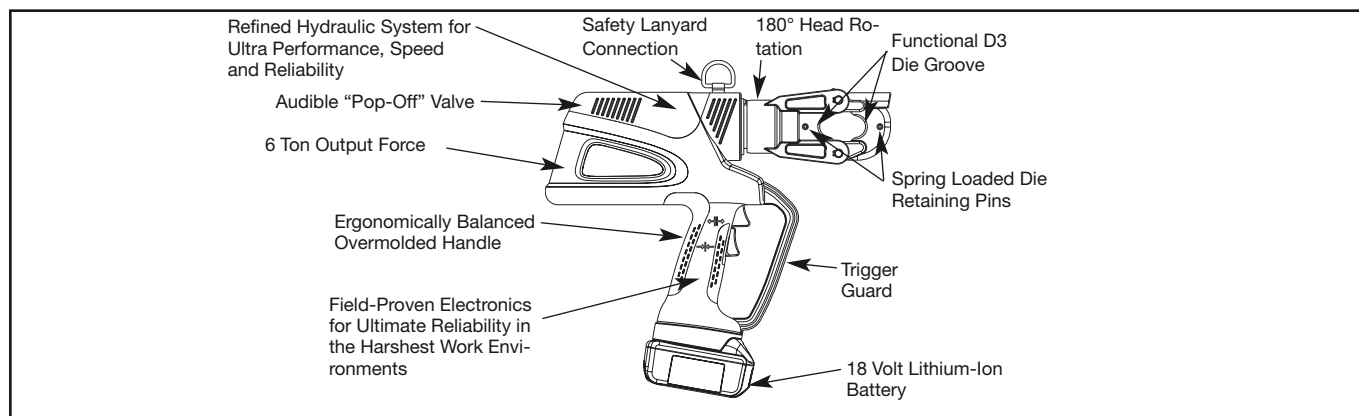
**Output Force:** 6 tons (5.4 metric tons)  
**Tool Weight:** 10.1 lbs (4.5 kg)  
 With Battery  
**Length:** 14.5” (36.8 cm)  
**Width:** 3.5” (8.9 cm)  
**Height:** 13.7” (34.9 cm)  
**Operating Voltage:** 18 V-DC  
**Recharge Time:** 30 minutes

#### FOR USE ON

AWG/kcmil Wire Size Range	Connector Types
<b>Copper</b> #8 - 600 kcmil	<b>Terminals:</b> YA, YA-L <b>Splices:</b> YS, YS-L, YS-T, YS-R
<b>Copper Flex</b> #8 - 350 kcmil Flex	<b>Terminals:</b> YA-FX, YAV, YA-L-FX <b>Splices:</b> YS, YSV-FXB
<b>Aluminum</b> #8 - 350 kcmil	<b>Terminals:</b> YA-A, YA-A-TN <b>Splices:</b> YS-A

#### ACCESSORIES

- Battery:** Cat# **BAT18VLI**  
(3.0 AH) Hi-capacity
- Chargers:**  
 120V-AC Cat# **PATCHGR-LI**  
 12/24V-DC Cat# **PATCHGR-LIDC**  
 1240/250V-AC Cat# **PATCHGR-LI250V**
- W Die Holder:** Cat# **WDIETREE**
- Lanyard:** Cat# **PT208620**



**PATRIOT® PAT600-18V**

**Battery Actuated Tool**

**Hydraulic Self-Contained  
6-Ton Crimping Tool**

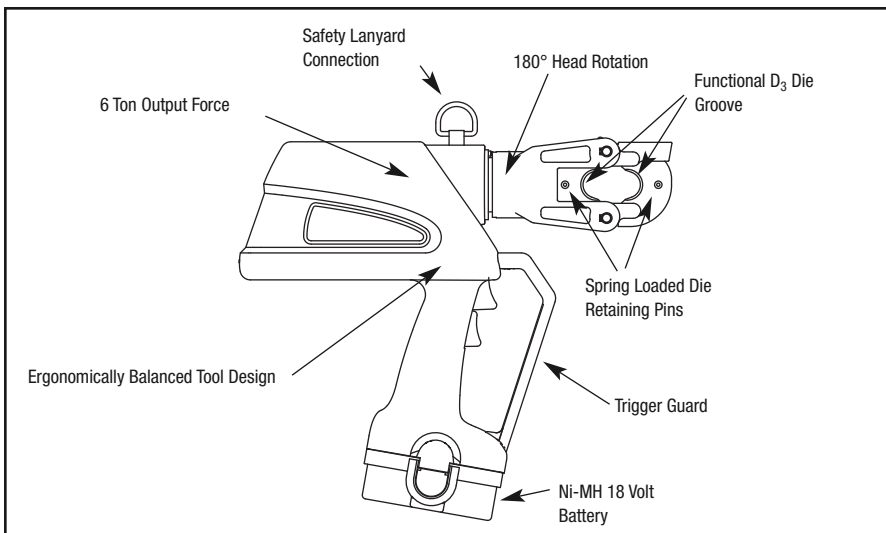
The BURNDY® PAT600-18V battery powered crimping tool provides a powerful 6 tons of crimping force and completes a crimp in approximately 3 seconds. The PAT600-18V is compact, easy to use and incorporates the latest in battery tool technology. The PAT600-18V tool incorporates a specialized latch style head with enhanced working stroke and clearance capabilities. The specialized head allows interference-free closure on tap connections up to the BURNDY® YHD-400 size including 350 kcmil aluminum connectors. Die selection with this tool includes all BURNDY® “W” and “W-VT” style dies which seat in the permanent “D<sub>3</sub>” crimping groove. Installation applications include #8 AWG to 600 kcmil copper lugs and splices, #8 AWG to 350 kcmil aluminum lugs and splices (YA-A and YS-A), and up to 4/0 aluminum tap connections. The permanent “D<sub>3</sub>” groove and 180 degree rotatable head are standard on the PAT600-18V.

Each PAT600-18V tool uses BURNDY® dies and off-the-shelf connectors available worldwide. The PAT600-18V comes equipped with a high impact formed carrying case to hold the tool, a battery charger and two batteries. The case houses up to 10 “W” dies (dies purchased separately). The PAT600-18V uses industry standard batteries and chargers. The PAT600-18V comes complete with a 5-year limited warranty and one year on batteries and charger.



**Features and Benefits**

- Battery powered crimp technology.
  - ◊ Easy tool operation and portability.
- Advance design high speed pump completes crimp in approximately 3 seconds.
  - ◊ Longer life, efficiency, and reliability.
- Ergonomic design allows one hand operation for ram advance and ram retraction.
  - ◊ User always has one hand free to manipulate connector and conductor.
- Variable speed trigger.
  - ◊ Provides flexibility in speed of ram advance.
- Ram holds position when trigger is released.
  - ◊ Provides ability to hold the connector between dies and check for proper alignment prior to crimping action.
- Mechanical ram release.
  - ◊ Reliable ram release (no battery power consumption).
- Specialized latch head design.
  - ◊ Provides enhanced clearance on tap connectors when compared with competitive designs.



**SPECIFICATIONS**

- Crimp Force:** 6 Tons (US)  
(5.4 metric tons)
- Tool Weight:** 10.9 lbs. (4.9 kg)
- Length:** 14.5" (36.8 cm)
- Width:** 3.5" (8.9 cm)
- Height:** 13.75" (34.9 cm)
- Operating Voltage:** 18 V-DC
- Crimp Time:** Approx. 3 seconds
- Recharge Time:** < 45 mins.

**FOR USE ON**

- Copper, Aluminum, ACSR, Steel, Copperweld, Alumoweld, 6201, 5005, Compressed, Compact, Stranded & Solid
- Installs splices, taps, or terminations:
  - #8 - 600 kcmil Copper Str. (YA, YA-L, YS, YS-L)
  - #8 - 350 kcmil Flex
  - #8 - 350 kcmil Aluminum (YA-A & YS-A)

**ACCESSORIES**

<b>Lanyard:</b>	Cat# <b>PT208620</b>
<b>W Die Holder</b>	Cat# <b>WDIETREE</b>
<b>Battery:</b>	Cat# <b>BAT18V</b> (2.6 AH) Hi-capacity
<b>Chargers:</b>	Cat# <b>PATCHGR18V</b> 120V-AC Cat# <b>BCT/PATDCCHGR</b> 12/24V-DC Cat# <b>PATCHGR250V</b> 240/250V-AC

**Features and Benefits**

*(Continued)*

- 180 degree head rotation.
  - ◊ Versatile tool head positioning lets user get into tight areas easier.
- Uses 18 volt Ni-MH batteries.
  - ◊ Eliminates voltage depression or "memory".
- Audible pressure "pop-off" valve.
  - ◊ Indicates properly completed crimp.
- Permanent D<sub>3</sub> crimp groove accepts all "W-Dies".
  - ◊ Uses standard die design with proven performance.
- PAT600C-18V with covered head is available.
  - ◊ Covered head for impact protection.
- Durable high impact formed carrying case.
  - ◊ Provides tool protection and stores all accessories.
- 5-year limited warranty on tool, 1-year on batteries and charger.
  - ◊ Customer satisfaction and support.

### PATRIOT® IN-LINE® HIGH PERFORMANCE PATMD6-LI SERIES

#### 18 Volt Lithium-Ion Battery Actuated Tool

#### Hydraulic Self-Contained 6-Ton Crimping Tool

The BURNDY® PATRIOT® High Performance IN-LINE® series of tools are approximately 80% faster than previous models. In addition to faster crimp cycles, these tools have newly designed electronics that are field proven for ultimate reliability to handle the harshest work environments. Now further enhanced, the High Performance IN-LINE® PATMD6-LI series is offered with 18 volt Lithium-Ion technology.

The BURNDY® High Performance IN-LINE® tools are battery actuated and can be operated with one hand allowing for advance, retract and hold functions for easier operation. One hand operation allows the operator one free hand to position the connector and conductor while crimping. The High Performance PATMD6-LI series of tools incorporate a high speed hydraulic pump generating 6 tons of crimping force and completes a crimp (YS28 4/0 copper cable) in approximately 2 seconds. This design provides a consistent, reliable connection every time.

The High Performance IN-LINE® tools feature interchangeable MD6 series jaws, capable of using “W” and “X” style dies in the permanent D3 groove. The PATMD6-K-LI accepts KEARNEY™ type “O” dies and BURNDY® “W” and “X” style dies with KWADP adapter. When ordering choose the tool that best suits your crimping needs. The IN-LINE® tools feature 350° rotatable heads for operation in virtually any position.

Each High Performance IN-LINE® tool uses standard BURNDY® dies and off-the-shelf connectors available world-wide. IN-LINE® tools are supplied with a durable vinyl tool bag, battery charger, and two batteries. All BURNDY® High Performance IN-LINE® tools are provided with a 3-year limited warranty. All PATRIOT® tools feature the BURNDY® INFINITY DRIVE® transmission which has lifetime warranty.

KEARNEY™ is a registered trademark of COOPER TECHNOLOGIES COMPANY.

#### PATRIOT® IN-LINE® VARIATIONS

- PATMD6-LI** Permanent “BG” (5/8”) and “D3” grooves.
- PATMD6-8-LI** Permanent “O” and “D3” grooves.
- PATMD6-6-LI** “Snub-Nose” version with permanent “D3” groove.
- PATMD6-K-LI** Accepts KEARNEY™ “O” type dies and BURNDY® “W” and “X” dies with KWADP adapter.



#### Features and Benefits

- Refined hydraulic system for ultra performance, speed and reliability.
- Field proven electronics for ultimate reliability in the harshest environments.
- 18 volt Lithium-Ion batteries provide 2.5 times more charge/discharge cycles than traditional Ni-Cd batteries and provide 430% more lifetime work.
- Advanced design high speed pump completes a crimp in approximately 2 seconds.
- Overmolded handle for comfort and improved grip.
- 30-minute battery charger controls current, voltage and temperature to maximize battery life.
- True, one-handed operation for advance, retract, and hold.
- 6-ton output force for reliable compression connections.
- Pressure “pop-off” valve indicates completion of crimp.
- Interchangeable scissor action crimp jaws allow easier access to tight spaces.
- Ram holds position when trigger is released to allow the operator to check alignment prior to crimping.
- Allows the use of standard BURNDY® “W” and “X” dies already in use.
- Large hand grip area allows easier operation with gloves.
- Ergonomically balanced tool design helps lessen operator fatigue.
- High capacity 3.0 AH batteries provide more crimps per charge.
- 3-year limited warranty on tool.
- Lifetime warranty on INFINITY DRIVE®.
- 1-year warranty on batteries and charger.

#### SPECIFICATIONS

- Output Force:** 6 tons (5.4 metric tons)
- Tool Weight:** 7.8 lbs (3.5 kg)  
With Battery
- Length:** 20.91” (53.11cm)
- Width:** 3.69” (9.37 cm)
- Height:** 5.48” (13.91 cm)
- Operating Voltage:** 18 V-DC
- Recharge Time:** 30 minutes

#### FOR USE ON

- Copper, Aluminum, ACSR, Steel, Copperweld, Alumoweld, 6201, 5005, Compressed, and Compact conductors
- Copper Taps: #10 solid - 2/0 stranded
- Aluminum and ACSR Taps: #14 solid - 4/0 ACSR
- Stirrups: #6 - 4/0 ACSR
- Overhead Full Tension Deadends, Full Tension Splices and Terminals #10 str. - 4/0 ACSR
- Installs splices, taps or terminations:
  - #8 - 500 kcmil Copper Str. (YA, YA-L, YS, YS-L)
  - #8 - 350 kcmil Copper flex
  - #8 - 350 kcmil Aluminum (YA-A, & YS-A)

#### ACCESSORIES

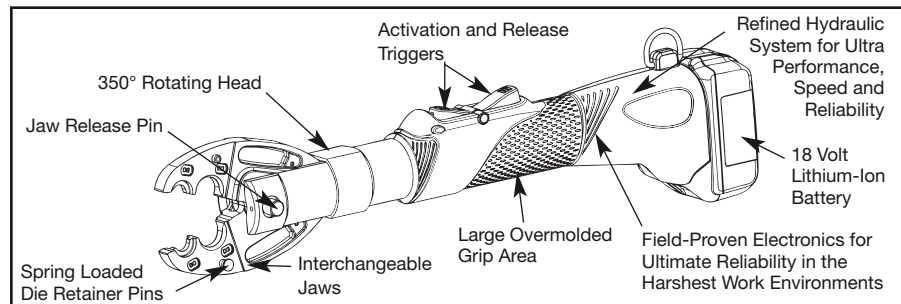
**Battery:** Cat# **BAT18VLI**  
(3.0 AH) Hi-capacity Li-Ion

**Chargers:**  
120V-AC Cat# **PATCHGR LI**  
12/24V-DC Cat# **PATCHGR-LIDC**  
240/250V-AC Cat# **PATCHGR-LI250V**

**Cutter Dies:** Cat# **W28K**  
For cutting #4-4/0 Copper, Aluminum & ACSR

**Interchangeable Jaw Assemblies:**  
“BG” and “D3” Grooves **PATJAWSMD6**  
“O” and “D3” Grooves **PATJAWSMD6-8**  
“D3” Only (“Snub-Nose”) **PATJAWSMD6-6**  
KEARNEY™ Groove **PATJAWSMD6K**  
 (“Snub-Nose”)

**Jaw Covers:** **PATMD6JC, PATMD66JC, PATMD6KJC**





**PATRIOT® IN-LINE®  
HIGH PERFORMANCE  
PATMD6-14V SERIES**

**Battery Actuated Tool**

**Hydraulic Self-Contained  
6-Ton Crimping Tool**

The BURNDY® PATRIOT® High Performance PATMD6-14V series of tools are approximately 80% faster than previous models. In addition to faster crimp cycles, the High Performance PATMD6-14V series tools have newly designed electronics that are field proven for ultimate reliability to handle the harshest work environments.

The BURNDY® High Performance IN-LINE® tools are battery actuated and can be operated with one hand allowing for advance, retract and hold functions for easier operation. One hand operation allows the operator one free hand to position the connector and conductor while crimping. The High Performance PATMD6-14V series of tools incorporate a high speed hydraulic pump generating 6 tons of crimping force and completes a crimp (YS28 4/0 copper cable) in approximately 2 seconds. This design provides a consistent, reliable connection every time.

The High Performance IN-LINE® tools feature interchangeable MD6 series jaws, capable of using “W” and “X” style dies in the permanent D3 groove. The PATMD6-K-14V accepts KEARNEY™ type “O” dies and BURNDY® “W” and “X” style dies with KWADP adapter. When ordering choose the tool that best suits your crimping needs. The IN-LINE® tools feature 350° rotatable heads for operation in virtually any position.

Each High Performance IN-LINE® tool uses standard BURNDY® dies and off-the-shelf connectors available world-wide. IN-LINE® tools are supplied with a durable high impact formed carrying case, battery charger, two batteries, and die compartment to hold dies. (Dies are sold separately.) All BURNDY® High Performance IN-LINE® tools are provided with a 3-year limited warranty on the tool and a lifetime warranty on the INFINITY DRIVE®.

KEARNEY™ is a registered trademark of COOPER TECHNOLOGIES COMPANY.

**PATRIOT® IN-LINE® VARIATIONS**

- PATMD6-14V** Permanent “BG” (5/8”) and “D3” grooves.
- PATMD6-8-14V** Permanent “O” and “D3” grooves.
- PATMD6-6-14V** “Snub-Nose” version with permanent “D3” groove.
- PATMD6-K-14V** Accepts KEARNEY™ “O” type dies and BURNDY® “W” and “X” dies with KWADP adapter.



**Features and Benefits**

- Refined hydraulic system for ultra performance, speed and reliability.
- Field proven electronics for ultimate reliability in the harshest environments.
- Advanced design high speed pump completes a crimp in approximately 2 seconds.
- True, one-handed operation for advance, retract, and hold.
- 6-ton output force for reliable compression connections.
- Pressure “pop-off” valve indicates completion of crimp.
- Interchangeable scissor action crimp jaws allow easier access to tight spaces.
- Ram holds position when trigger is released to allow the operator to check alignment prior to crimping.
- Allows the use of standard BURNDY® “W” and “X” dies already in use.
- Large hand grip area allows easier operation with gloves.
- Ergonomically balanced tool design helps lessen operator fatigue.
- Durable high impact formed carrying case.
- High capacity 2.6 AH Ni-MH batteries provide more crimps per charge.
- 3-year limited warranty on tool.
- Lifetime warranty on INFINITY DRIVE®.
- 1-year warranty on batteries and charger.

**SPECIFICATIONS**

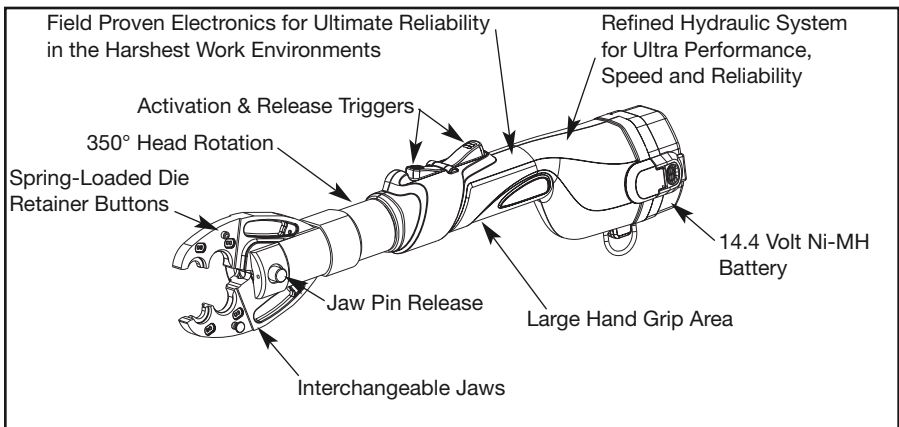
- Output Force:** 6 tons (5.4 metric tons)
- Tool Weight:** 7.8 lbs (3.5 kg) with Battery
- Length:** 20.91” (53.11 cm)
- Width:** 3.69” (9.37 cm)
- Height:** 5.48” (13.91 cm)
- Operating Voltage:** 14.4 V-DC
- Recharge Time:** < 45 minutes

**FOR USE ON**

- Copper, Aluminum, ACSR, Steel, Copperweld, Alumoweld, 6201, 5005, Compressed, and Compact conductors
- Copper Taps: #10 solid - 2/0 stranded
- Aluminum and ACSR Taps: #14 solid - 4/0 ACSR
- Stirrups: #6 - 4/0 ACSR
- Overhead Full Tension Deadends, Full Tension Splices and Terminals #10 str. - 4/0 ACSR
- Installs splices, taps or terminations:
  - #8 - 500 kcmil Copper Str. (YA, YA-L, YS, YS-L)
  - #8 - 350 kcmil Copper flex
  - #8 - 350 kcmil Aluminum (YA-A, & YS-A)

**ACCESSORIES**

- Battery:** Cat# **BAT14V** (2.6 AH) Hi-capacity Ni-MH
- Chargers:**
  - 120V-AC Cat# **PATCHGR18V**
  - 12/24V-DC Cat# **BCT/PATDCCHGR**
  - 240/250V-AC Cat# **PATCHGR250V**
- Cutter Dies:** Cat# **W28K**  
For cutting #4-4/0 Copper, Aluminum & ACSR
- Interchangeable Jaw Assemblies:**
  - “BG” and “D3” Grooves **PATJAWSMD6**
  - “O” and “D3” Grooves **PATJAWSMD6-8**
  - “D3” Only (“Snub-Nose”) **PATJAWSMD6-6**
  - KEARNEY™ Groove **PATJAWSMD6K** (“Snub-Nose”)
- Jaw Covers:** **PATMD6JC, PATMD66JC, PATMD6KJC**



### Y750HSXT AND Y750CHSXT RUBBER COVERED HEAD

#### 750 REVOLVER HYPRESS™

Hydraulic Hand Operated Tool  
12-Ton Crimp Force

Conductor Range:  
#14 - 750 kcmil Cu/Al  
#4 - 556.5 kcmil ACSR

The BURNDY® Y750HSXT Series HYPRESS™ is a wide mouth (1.65") hand operated hydraulic 12 ton crimping tool for use on virtually all compression applications. The C-shaped head rotates 355° relative to the handle and is mated to a patented rapid advance pump. The Y750HSXT provides easy tapping, splicing, and terminating of overhead lines, the full line of HYGROUNDO® compression grounding connectors, NEC cable connections, and N30 - N650 Navy cable connections.

The Y750HSXT accepts all BURNDY® "U" dies for use on conductor ranges of #14 - 750 kcmil AL/CU and #4 - 556.5 kcmil ACSR conductors.

The Y750CHSXT HYPRESS™ has a rubber-covered head and handles for tool impact protection.

Each Y750HSXT uses standard BURNDY® dies and off-the-shelf connectors available world-wide. Supplied with a durable high impact formed carrying case to hold the tool, and die compartment to hold "U" die sets. (Dies sold separately.) All BURNDY® Y750HSXT series tools are provided with a 5-year limited warranty.



### BENEFITS

- Covers a wide range of applications with a lightweight, self-contained system and provides easy tool removal from continuous conductors with its C-shaped head.
- Easy tool positioning with its 355° head rotation.
- Patented rapid advance pump for faster crimps.
- Exposed positive die lock buttons for easy die change out and die retention.
- Handle trigger drain for convenient ram retraction.
- Quality assurance is provided with an audible "Pop-Off" pressure relief valve.
- Comfort grip handles help ease operator fatigue with continuous use.
- Long life expectancy from the company that provided the industry with the first self-contained hydraulic tool in 1934.
- Rubber covered head and handles on Y750CHSXT for tool impact protection.
- Supplied with high impact plastic carrying case.
- 5-year limited warranty.

### SPECIFICATIONS

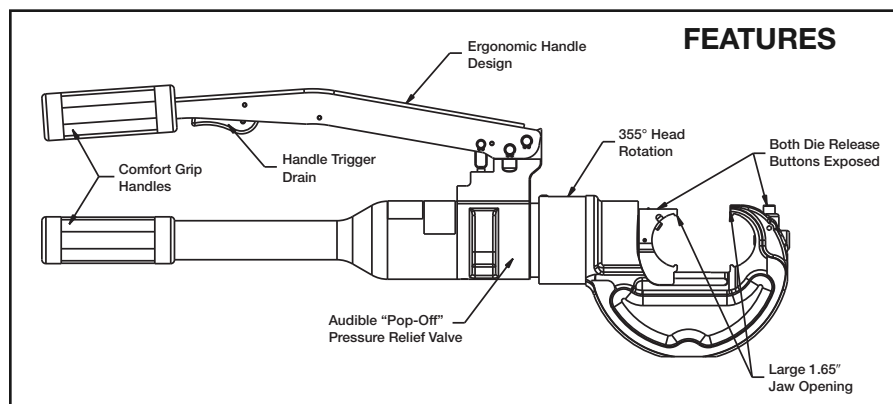
Force developed: 12 tons  
Weight: 14.5 lbs. (6.6 kg)  
Length: 23.96" (608 mm)  
Height: 2.86" (78 mm)  
Width: 8.71" (222 mm)  
Jaw opening: 1.65" (42 mm)

### FOR USE ON

- Tension Sleeves
  - Copper #8 sol. - 500 kcmil
  - Aluminum #8 sol. - 556.5 kcmil
  - ACSR #4 - 556.5 kcmil
- Taps
  - Copper #14 sol. - 500 kcmil
  - Aluminum #8 - 500 kcmil
- Aerial Cable
  - Copper #6 - 500 kcmil
- Terminals & Splices
  - Aluminum #8 - 750 kcmil
  - Copper #8 - 750 kcmil
  - ACSR #4 - 556 kcmil
- HYGROUNDO® (Compression Grounding)
  - Copper #8 - 500 kcmil (cable/ground rod)
  - Ground Rods 1/2" - 1" Diameter

### ACCESSORIES:

Cat. No.	Description
Y750HSCASE	Plastic Carrying Case for Y750HSXT or Y750CHSXT.
PT29279-2	Force test gauge for accurate visual reading of output force.
PT29291	Die Case Steel case for storage and protection of "U" dies.
WIREMIKE	Provides quick and easy identification of commonly used conductors.



## Y35 AND Y35-2

### HYPRESS™

#### Hand-Operated Hydraulic Tool

The Y35 HYPRESS™ Tool incorporates a C-shaped, rotatable head for overhead line work and compression grounding applications. The hook style head with extensive ram travel provides for easy tapping and splicing of overhead lines as well as HYGROUND® compression grounding systems.

The Y35-2 HYPRESS™ head, body and handles are covered with 3/16" rubber for tool impact protection.

Order the hot-line handle assembly, "U" dies and accessories separately. 5-year limited warranty.



### SPECIFICATIONS

	Y35	Y35-2
Force developed:	12 tons	12 tons
Operating pressure:	10,000 psi	10,000 psi
Weight (less case):	13 lbs.	13-1/2 lbs.
Overall length:	23-1/4"	24"
Head width:	4-3/4"	6"
Molded Covering:	Body & Handles	Head, Body and Handles

### FOR USE ON

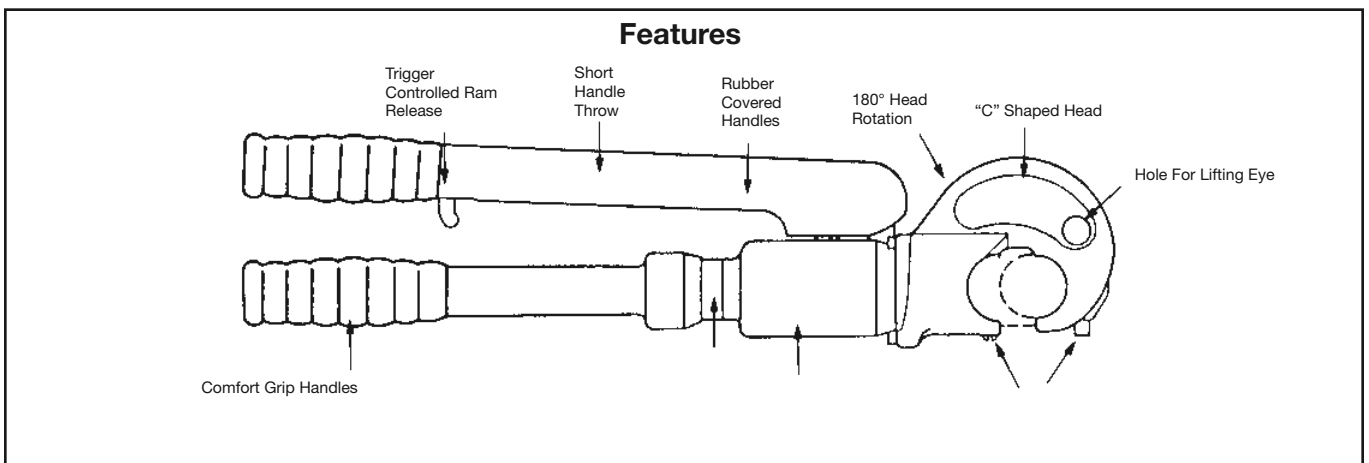
Copper #8 str.-500 kcmil Code Cables	Terminals-grounding YGH, YGHA, YGF Splices-grounding YGS, YGHS
Copper #8 str.-kcmil and up to 3/4" ground rod	Taps-grounding YGHC-C, YGHP-C YGHR-C
Copper #8 str.-750 kcmil Code Cables N30-N500 Navy Cables Flexible and Extra Flex	Terminals Uninsulated YA, YA-2N, YA-L, YA-LB YA-2LN Terminals Insulated YAEV-L Box, YAEV-L YAEV-H, YAEV-RS, YAEV-RH Splices To Size 400 kcmil YS, YS-T, YS-L YS-LB, YSV-L Box YSV-L, YSM
Aluminum #8 str.-750 kcmil Code Cables	Terminals YA-A AYP, AYP0 Splices To Size 350 kcmil YSA, YRB, YS-AT
ACSR	See Burndy Overhead Transmission and Distribution Catalog Module

### BENEFITS

- Compact "C" shaped head allows easy placement and removal from continuous conductor lengths.
- Easy to position tool for work with 180° head rotation.
- Versatile and economical-tool works with all commonly used copper, aluminum and ACSR conductors from #6 str. to #556.5 26/7 stranding.
- Body and handles covered with 3/16" molded rubber for tool impact protection.
- Easy die change accomplished with push button die locks.
- Quality assurance is provided with automatic 10,000 PSI blow-off pressure release valve for positive crimping.

### BENEFITS (Continued)

- Rapid ram advance reduces installation time by eliminating need to pump handles to advance ram to connector.
- Saves installation time with trigger controlled return release which returns ram to its preset starting point.
- Long continuous usage is aided with comfort grip handles.
- Provides UL Listed and CSA Certified connections when installed in conjunction with listed BURNDY® HYLUG™ terminals and HYLINK™ splices.
- 5-year limited warranty.



## Y35 SERIES ACCESSORIES

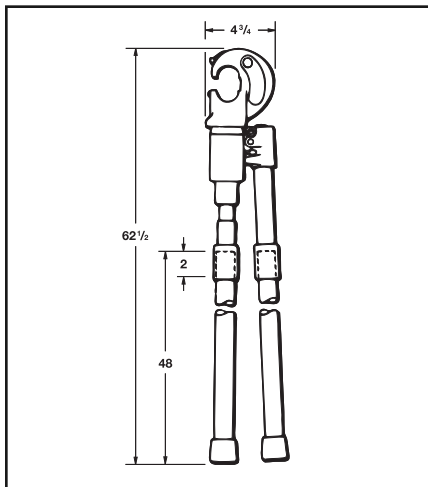


### PT29279-2 Force Test Gauge

The PT 29279-2 Force Test Gauge is designed to provide an accurate visual reading of the output force produced by the hand-hydraulic Y35, Y35-2, Y39 and Y750 HYPRESS™ tools. It is not recommended for any remote powered HYPRESS™ heads such as the Y35BH. The PT 29279-2 Force Test Gauge is factory calibrated and inspected to very stringent tolerances providing the customer accuracy and an excellent means for quality assurance control. Supplied with padded storage case.

### BENEFITS

- Easy to read
- Provides means for quality assurance control.
- Blank (test) “U” dies are provided for testing procedure.
- Tool output force is applied to load cell for visual read out of the resulting force on the dial.
- The blank (test) “U” set is included with the Force Test Gauge.
- An easy to read operating and maintenance manual is included.



### Cat. No. HH5-RL48 Hot-Line Handle Assembly

The HH5-RL48 is a 48” long fiberglass handle assembly that easily attaches to a standard Y35 HYPRESS™ tool. Rotation of the handles controls the rapid ram advance and release mechanisms. The handles are rated at 100 kV per foot for five minutes. The Catalog Number does not include the Y35.

For factory assembled unit order Catalog Number **Y35-16**.



### Cat. No. PT6733 Hot-Line Tool (Heavy-Duty) Carrying Bag

The PT6733 is a heavy-duty, adjustable canvas bag for the storage and protection of hot-line tools. The bag accommodates 48” through 72” variations of the Y35 and MD6 hot-line tools.



### Cat. No. PT29291 Die Case

Steel case designed for storage and protection of “U” dies used with the Y35 and other BURNDY® tools. Holds 15 die sets. Length 9 1/2”, width 6”, height 1-1/2”. Dies sold separately.

### Y34A Indentor Adaptor:

To use Y34A indentors in a Y35, Y39, or Y750 tool.

Cat. No. **Y35P3**

### Seal Repair Kit:

Cat. No. **Y35/Y39 REP KIT A**

### Steel Carrying Case

Cat. No. **PT2972** for Y35

Cat. No. **PT29360** for Y35-2

**Y39**

**HYPRESS™**

**Hand-Operated Hydraulic Tool**

The versatile, lightweight Y39 weighs 13 lbs., and its small 3-1/8" wide head rotates 180° for convenience and flexibility. The tool provides 12 tons of crimping power, while its built-in overload valve automatically releases pressure when the crimp is completed.

The Y39 is designed for easy die insertion and removal without ball checks or set screws. Its rapid ram advance and trigger-controlled release eliminate unnecessary pumping after every crimp. 5-year limited warranty.



**SPECIFICATIONS**

- Force developed:** 12 tons
- Operating force:** 10,000 PSI
- Weight - less case:** 12 lbs.
- Overall length:** 23"
- Max. head width:** 3-1/8"
- Die accommodation:** U-dies

**FOR USE ON**

**Copper**

- #6 AWG - 750 kcmil str.
- Code Cable
- N30 - N650 Navy Cable
- Flexible and Extra Flexible
- Terminals - Uninsulated
- YA, YA-L, YA-LB, YGH, YGHA
- Splices & Tees - Uninsulated
- YS, YS-L, YS-LB, YS-T, YSP-T, YST

**Copper AN or AIR**

- #6 AWG - #4/0 str. Code Cable
- AN6 - AN #4/0 Aircraft Cable
- Flexible and Extra Flexible
- Terminals - Uninsulated
- YAV-L Box, YAV-L, YAV-Rs Box, YAV-RS
- Splices - Uninsulated
- YSV-L Box, YSV-L

**Copper Insulated Terminals**

- #8 AWG - #2/0 str. Code Cable
- AN8 - AN #2/0 Aircraft Cable
- Flexible and Extra Flexible
- Terminals - Insulated
- YAEV- L Box, YAEV- L, YAEV- RS Box, YAEV- RS, YAEV-RH

**Copper Taps**

- #12 AWG Solid-250 kcmil
- Taps: YC-C, YGHC -C, YGHP -C, YGHR -C

**Aluminum**

- #8 AWG-750 kcmil str.
- Code Cable
- Terminals: YA-A
- Splices: YS-A, YS-AT, YRB

**Aluminum**

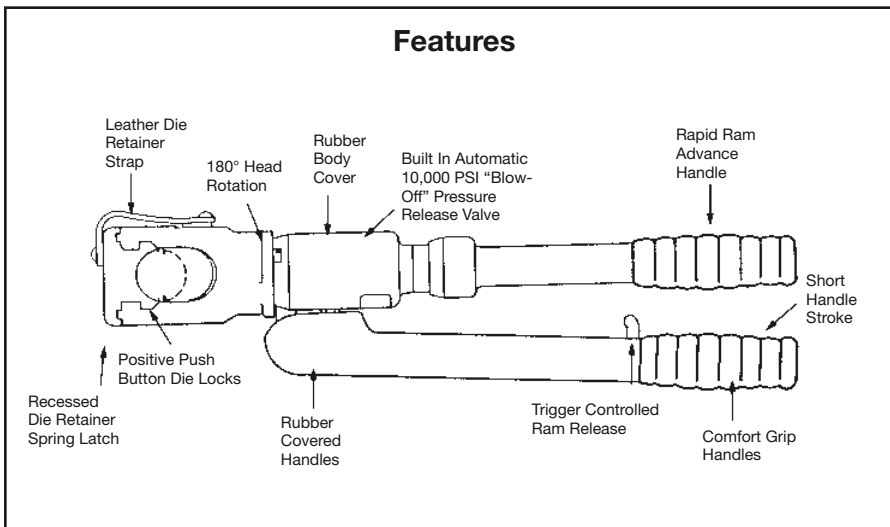
- #6 str. - 500 kcmil
- Taps: YFD, YFN, YFO

**BENEFITS**

- Easy to work in small tight spaces with only a 3-1/8" wide compression head and short handle throw.
- Easy to position tool for work with 180° head rotation.
- Versatile and economical-tool works on all commonly used copper and aluminum conductors from #6 str. to 750 kcmil.
- Body and handles covered with 3/16" rubber.
- Easy to locate and hold dies in position with the positive push button die locks plus die changing is accomplished easily without ball checks or set screws.
- Easy to remove or lock into position die holder with recessed spring latch plus leather strap to prevent loss.

**BENEFITS (Continued)**

- Quality assurance is provided with automatic 10,000 psi "blow off" pressure release valve for positive crimping.
- Rapid ram advance eliminates requirement for pumping handles to advance ram to connector.
- Trigger release allows ram to return to preset position.
- Long continuous usage is aided with comfort grip handles.
- Provides UL Listed and CSA Certified connections when used in conjunction with listed BURNDY® HYLUG™ and HYLINK™ splices.
- 5-year limited warranty.



### Y644HSXT DIELESS HYPRESS™

#### The “1” Crimp Range Taking Tool

Hydraulic Hand Operated Tool—  
11 Ton Crimp Force

#6 - 1000 kcmil Copper  
HYLUG™ Terminals and  
HYLINK™ Splices

#6 - 750 kcmil Aluminum  
HYLUG™ Terminals and  
HYLINK™ Splices

The Y644HSXT dieless HYPRESS™ is a hand operated 11 ton hydraulic crimping tool. Only 1 crimp is required for each wire termination for both long and standard length barrels on HYLUG™ terminals and HYLINK™ splices.

The Y644HSXT has a latch style head which provides easy tool removal from continuous conductor runs. The head rotates 355° relative to the handles and is mated to a patented rapid advance pump. The Y644HSXT weighs only 15 pounds and delivers 11 tons of crimping force. The result is easy terminating and splicing using BURNDY® HYLUG™ and HYLINK™ terminals and splices.

**Y644HSXT Dieless HYPRESS™ Range Taking Capabilities.** The following size HYDENT™ lugs and two way splices, when crimped with the Y644HSXT Dieless HYPRESS™ Tool, produce the following UL Listed range taking capabilities.

Aluminum Connectors		Copper Connectors	
Standard Wire Size	Expanded Wire Range	Standard Wire Size	Expanded Wire Range
#6 AWG	#6 AWG	#6 AWG	#6 AWG
#5 AWG	#5-#6 AWG	#5 AWG	#5-#6 AWG
#4 AWG	#4-#6 AWG	#4 AWG	#4-#6 AWG
#3 AWG	#3-#6 AWG	#3 AWG	#3-#6 AWG
#2 AWG	#2-#6 AWG	#2 AWG	#2-#6 AWG
#1 AWG	#1-#2 AWG	#1 AWG	#1-#6 AWG
1/0 AWG	1/0-#1 AWG	1/0 AWG	1/0-#6 AWG
2/0 AWG	2/0-#1 AWG	2/0 AWG	2/0-#4 AWG
3/0 AWG	3/0-#1 AWG	3/0 AWG	3/0-#2 AWG
4/0 AWG	4/0-#1 AWG	4/0 AWG	4/0-#1 AWG
250 kcmil	250-1/0 AWG	250 kcmil	250-1/0
300 kcmil	300-2/0 AWG	300 kcmil	300-2/0
350 kcmil	350-3/0 AWG	350 kcmil	350-3/0
400 kcmil	400-4/0 AWG	400 kcmil	400-4/0
500 kcmil	500-4/0 AWG	500 kcmil	500-4/0
600 kcmil	600-250 kcmil	600 kcmil	600-250
750 kcmil	750-500 kcmil	750 kcmil	750-500
		800 kcmil	800-500
		1000 kcmil	1000-750



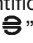
### SPECIFICATIONS

**Output Force:** 11 tons (22,000 lbs.)  
**Weight:** 15 lbs. (5.6 kg)  
**Length:** 23.20" (589 mm)  
**Height:** 3.00" (76 mm)  
**Width:** 7.04" (179 mm)

### FOR USE ON

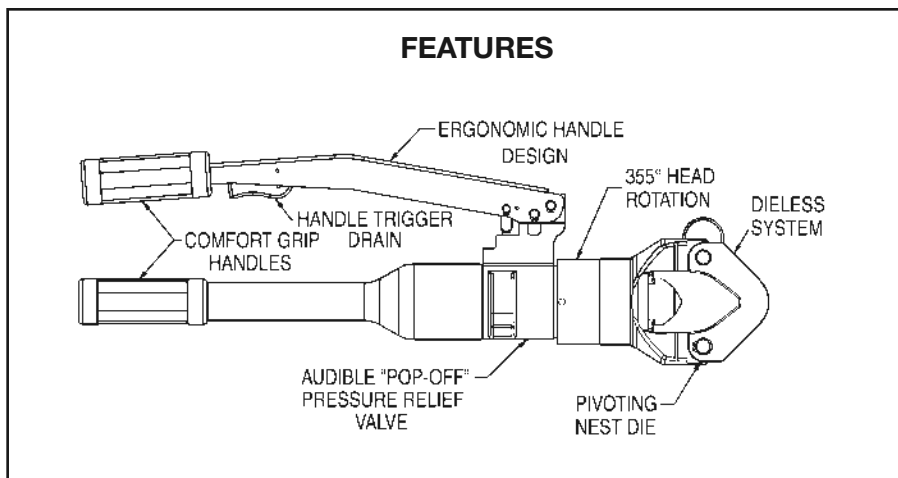
AWG/kcmil Size Range	Connector Type
Copper #6 - 1000 kcmil	Terminals YA-L, YA-2LN, YA, YA-FXB YA-2N, YA-L-2TC, YA-L-FX YAB-4N, YA-L-TC, YA-2L, YA-4N, YEV-P-FX, YE-P, YE-P-FX Splices YS-L, YS, YS-T
Aluminum #6 - 750 kcmil	Terminals YA-A, YA-A-TN Splices YS-A
Aluminum #6 - 750 kcmil	HYPLUG™ AYP, AYPO

### BENEFITS

- Dieless system, eliminates the need to purchase and maintain dies.
- Patented rapid advance pump for faster crimps.
- Pressure relief “Pop-Off” valve provides audible indication that crimp is complete.
- Handle trigger drain for convenient ram retraction.
- 355° head rotation for versatile tool head positioning in tight areas.
- Easy inspection and positive identification is provided with the BURNDY® “”.
- Comfort grip handles help ease fatigue with continuous use.
- Supplied with high impact plastic carrying case.
- 5-year limited warranty.

### ACCESSORIES

Cat. No.	Description
<b>WIREMIKE</b>	Provides quick and easy identification of commonly used conductors.
<b>Y644HSCASE</b>	Plastic carrying case.



**4-POINT® Y81KFT**

**Dieless HYPRESS™**

**Hydraulic Hand Operated Crimping Tool**

#8 – 1000 kcmil Copper HYLUG™ Terminals and HYLINK™ Splices

#8 – 750 kcmil Aluminum HYLUG™ Terminals and HYLINK™ Splices

The Y81KFT 4-POINT® dieless HYPRESS™ is a hand operated 6 ton hydraulic crimping tool for use on a wide variety of terminal and splice compression applications. The Y81KFT incorporates a dieless latch style head that provides easy tool removal from continuous conductor runs and eliminates the need to purchase and maintain dies. The head rotates 360° relative to the handles and is mated to a patented rapid advance pump. The Y81KFT weighs only 12 pounds and delivers 6 tons of crimping force. The result is easy termination and splicing using BURNDY® HYLUG™ and HYLINK™ terminals and splices.

The Y81KFT is supplied with a molded high impact plastic case and comes complete with a 5-year limited warranty.

**Y81KFT dieless HYPRESS™ Range Taking Capabilities:** The Y81KFT provides range taking capabilities that is UL Listed and CSA Certified for Copper (Code, Compact and Flex) and Aluminum (Code and Compact) conductors when used in conjunction with BURNDY® HYLUG™ terminals and HYLINK™ splices.



**SPECIFICATIONS**

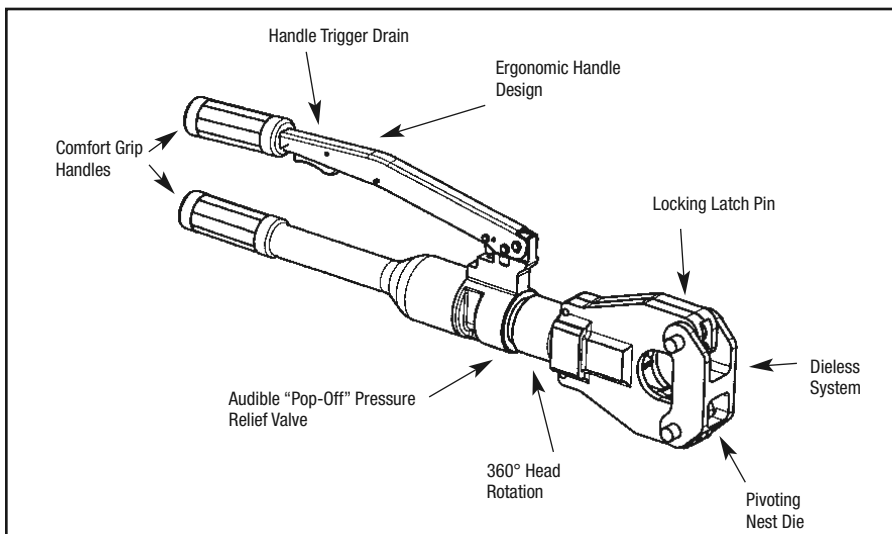
- Output Force:** 6 tons (12,000 lbs) (5450 kg)
- Weight:** 12 lbs. (5.45 kg)
- Length:** 25.6 in. (650 mm)
- Height:** 7.7 in. (196 mm)
- Width:** 2.5 in. (64 mm)

**FOR USE ON**

- Copper, Aluminum, Compressed, Compact, Stranded, Solid and Flex Conductors.
- Installs Splices, Taps and Terminations:
  - #8 - 1000 kcmil Copper (YA, YA-L, YS, YS-L, YS-T, Y-R )
  - #8 - 777.7 (750 Nominal Flex Wire Size) kcmil Flex (YA-FX, YAV, YA-L-FX, YS, YSV-FXB)
  - #8 - 750 kcmil Aluminum (YA-A, YS-A)
  - #8 - 750 kcmil Aluminium Pin Adapters (AYP, AYPO)

**Features and Benefits**

- Dieless installation system.
  - ◇ Eliminates the need to purchase and maintain dies.
- UL Listed and CSA Certified with Range Taking Capabilities
  - ◇ Provides the installer with a UL Listed and CSA Certified crimps with Range Taking Capabilities when used in conjunction with BURNDY® HYLUG™ Terminals and HYLINK™ Splices
- Flip top head design.
  - ◇ For easy loading and removal of installed terminals and splices, saving time.
- Audible pressure “pop-off” valve and die embossment providing 360° inspectability.
  - ◇ Assures proper crimps with both audible and visual indicators for the installer.
- Handle Trigger release.
  - ◇ Convenient ram release located in the handle.
- Advanced high speed pump design.
  - ◇ Provides fast crimps, longer life, efficiency, and reliability.
- 360 Degree head rotation.
  - ◇ Versatile tool head positioning lets the user get into tight areas easier.
- Durable high impact formed carrying case.
  - ◇ Provides tool protection and stores all accessories.
- 5-year limited warranty.
  - ◇ Customer satisfaction and support.





### 4-POINT® Y4PC834

#### Dieless HYPRESS™

#### Hydraulic Hand Operated Crimping Tool

The 4-POINT® C-shaped head dieless HYPRESS™ is a hand operated 6 ton hydraulic crimping tool for use on a wide variety of tap, termination, and splice compression applications. The dieless capability of this tool eliminates the need to purchase or maintain additional dies. The Y4PC834 incorporates a C-shaped head design making it ideal for crimping in tight areas and is easily removed from continuous conductor runs. The head rotates 360° and is mated to a patented rapid advance pump. The Y4PC834 weighs only 12 pounds and delivers 6 tons of crimping force. The result allows for easy tap, termination and splicing of compression connectors.

The Y4PC834 is supplied with a molded high impact carry case and comes with a 5-year limited warranty.

The Y4PC834 provides range taking capabilities that are UL Listed and CSA Certified for Copper (Code, Compact and Flex) and Aluminum (Code and Compact) conductors when used in conjunction with BURNDY® HYLUG™ terminals and HYLINK™ splices as listed on pages C-7 and C-8 in the Master Catalog.



#### Features and Benefits

- Dieless installation system
  - ◇ Eliminates the need to purchase and maintain dies.
- UL Listed and CSA Certified with range taking capabilities
  - ◇ Provides the installer with UL Listed and CSA Certified crimps when used in conjunction with BURNDY® HYLUG™ and HYLINK™ compression connectors.
- C-shaped head design
  - ◇ For easily removing tool from continuous run conductors — simply slide the opening of the head off the conductor. Also ideal for use in tight or constraint spaces.
- Audible pressure “pop-off” valve and die embossment providing 360° inspectability.
  - ◇ Assures proper crimps with both audible and visual indicators for the installer.
- Handle Trigger release
  - ◇ Convenient ram release located in the handle.
- Advanced high speed pump design
  - ◇ Provides fast crimps, longer life, efficiency, and reliability.
- 360° head rotation
  - ◇ Versatile tool head positioning lets the user get into tight areas easier.
- Durable high impact formed carrying case
  - ◇ Provides tool protection and stores all accessories.
- 5-year limited warranty
  - ◇ Customer satisfaction and support.

#### SPECIFICATIONS

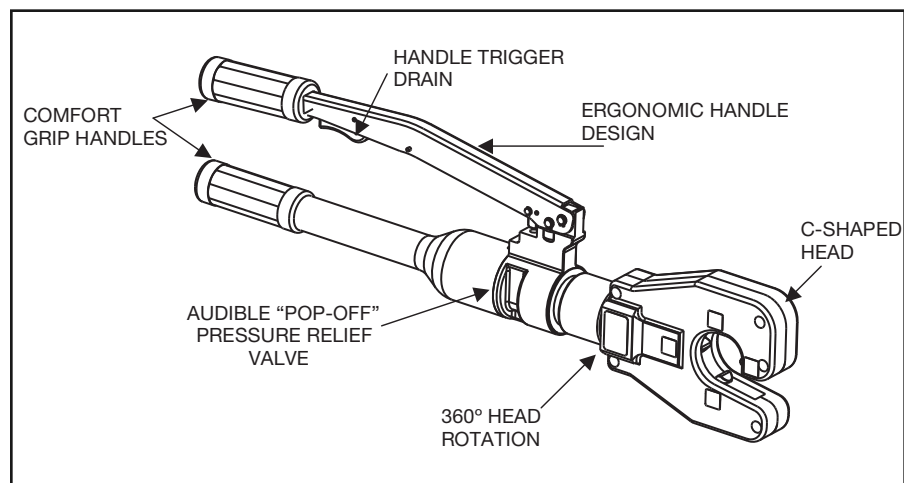
**Output Force:** 6 Tons (5.4 Metric Tons)  
**Weight:** 11.85 lbs (5.38 kg)  
**Length:** 25.6 in (651 mm)  
**Height:** 7.7 in (196 mm)  
**Width:** 2.5 in (64mm)

#### FOR USE ON

Copper, Aluminum, Compressed, Compact, Stranded, Solid and Flex Conductors

Installs Splices, Taps and Terminations

- #8 – 1000 kcmil Copper (YA, YA-L)
- #8 – 500 kcmil Copper (YS, YS-T, YS-L, Y-R)
- #8 – 777 (750 Nominal Flex Wire Size) kcmil Flex ((YA-FX, YAV, YA-L-FX)
- #8 – 535 (500 kcmil nominal flex wire size) kcmil flex (YS, YS-LB, YSV-FXB)
- #8 – 750 kcmil Aluminum (YA-A)
- #8 – 350 kcmil Aluminum (YS-A)
- #8 – 750 kcmil Aluminum Pin Adaptors (AYP, AYPO)





**Y500CT-HS**

**L'IL CRIMP™**

**6-Ton Hydraulic Crimp Tool**

The BURNDY® Y500CT-HS HYPRESS™ connector installation tool provides 6 U.S. Short tons of force in a compact and easy to use, hand-held hydraulic tool. The Y500CT-HS incorporates a specialized latch style head with a generous working stroke for a wide variety of crimping applications. The specialized head allows interference-free closures on tap connectors up to the BURNDY® YHD-400 size. The head is fitted onto a lightweight tool body with handles that are ergonomically designed to provide slip-free grip and easier crimping. The tool features a patented high speed ram advance mechanism that minimizes crimp cycle time along with an ergonomic trigger drain mechanism that allows the ram to return to the preset position. The tool accommodates all BURNDY® “X”, “W”, and “W-VT” style dies that seat in the permanent “D<sub>3</sub>” crimping groove. Installation applications include #6 AWG to 600 kcmil copper lugs and splices, #6 AWG to 350 AWG aluminum lugs and splices, and up to 4/0 aluminum tap connections. The permanent “D<sub>3</sub>” groove and 180 degree rotatable head are standard on the Y500CT-HS.

Each Y500CT-HS HYPRESS™ tool uses BURNDY® dies and off-the-shelf connectors that are available worldwide. Your Y500CT-HS HYPRESS™ comes equipped with a durable metal carry case to hold the tool and a multitude of die sets.



**Features and Benefits**

- Lightweight latch head design.
  - ◊ Provides enhanced clearance for tap connectors.
- 180° head rotation.
  - ◊ Versatile tool head allowing user crimp access into tight spaces.
- Ergonomic handle design.
  - ◊ Easier operation, helping reduce fatigue.
- Audible pressure “pop-off” valve.
  - ◊ Indicates properly completed crimp.
- Permanent “D<sub>3</sub>” crimp groove accepts all BURNDY® “W” and “X” dies.
  - ◊ Standard die design with proven performance.
- Durable metal carrying case.
  - ◊ Provides superior protection and stores all accessories.
- High speed ram advance.
  - ◊ Provides faster crimps.
- Handle trigger drain.
  - ◊ Convenient ram retraction.
- 5-year limited warranty.
  - ◊ Customer satisfaction and technical support.

**SPECIFICATIONS**

- Output Force:** 6 tons (5.4 metric tons)
- Tool Weight:** 7.8 lbs. (3.5 kg)
- Total Strokes:** 7 (w/o connector)
- Height:** 6.0” (152 mm)
- Length:** 17.6” (447 mm)

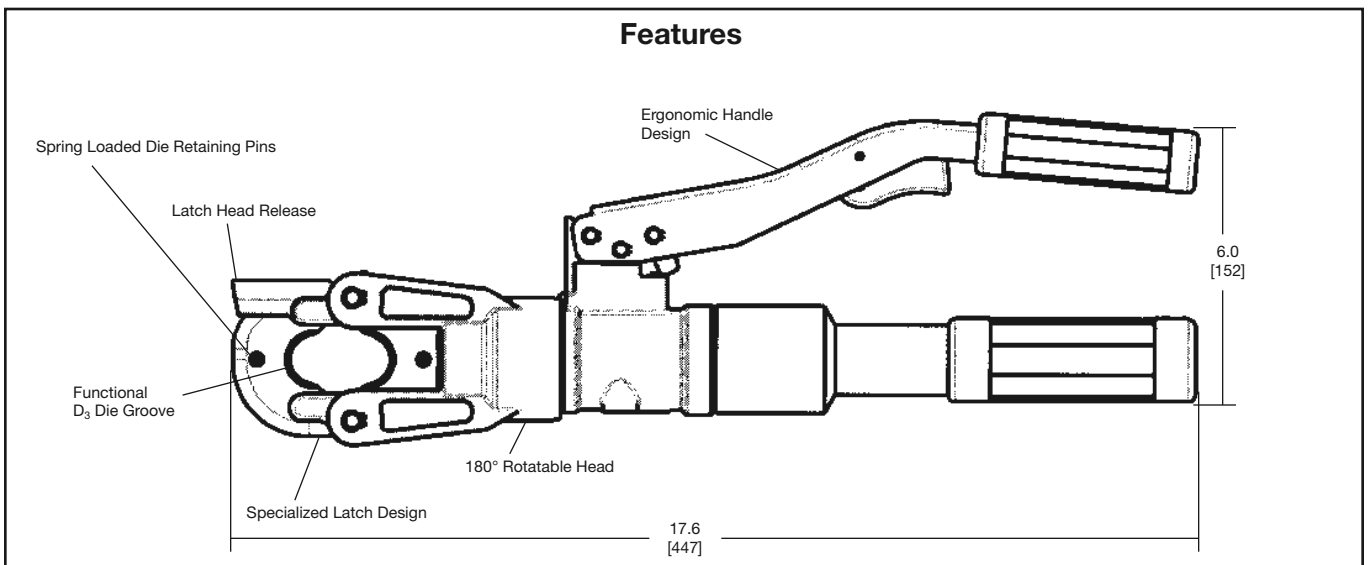
**FOR USE ON**

- Copper, Aluminum, ASCR, Steel, Copperweld, Alumoweld, 6201, 5005, Compressed, Compact, Stranded & Solid conductors
- Installs splices, taps, or terminations:
  - #8 - 600 kcmil Copper Str.
  - #8 - 350 kcmil Flex
  - #8 - 350 AWG Aluminum



**RANGE TAKING DIES**

- WDC4500:** #4-500 Cu Str.  
#2-4/0 Cu Flex  
UL and CSA for use on YA and YS series. Also for use on YAV and YSV series.
- WDA8300:** #8-300 Al  
#6-400 Cu Str.  
#2-4/0 Cu Flex  
UL and CSA for use on YA, YS, YA-A, and YS-A series. Also for use on YAV and YSV series.



### Y60BHU AND Y60BHUD

#### HYPRESS™

60 Ton Remote Power Operated Hydraulic Tools

Single and Double Acting Hydraulic Tool Designs

The Y60BHU HYPRESS™, single acting, and Y60BHU-D HYPRESS™, double acting, are both designed to provide fast, easy operation plus a durable and substantially longer design life expectancy. Both Y60BHU and Y60BHU-D HYPRESS™ tools accommodate the same “L” dies. The “L” dies are designed for copper and aluminum code cables and aerial conductor sizes through 2500 kcmil and will accommodate ACSR through 2156 (84/19) str. Five-year limited warranty.

### TYPE “L” DIES

#### For Use With Y60BHU and Y60BHUD

BURNDY® offers two types of “L” dies. Our standard width L dies (example: L735).



Standard L Die



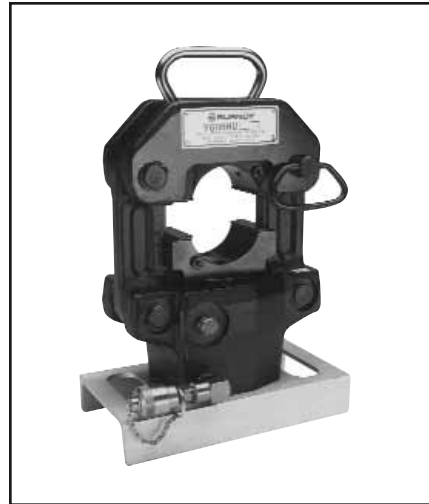
Wide L Die

Wider “L” dies with Indicia marks (example: L735W). Indicia marks on the die provide the installer with the start location for the next overlap crimp consistently on aluminum connector surfaces. Reduces the number of crimps and installation time.



The following dies are available in this series:

<b>L717W</b>	<b>L719W</b>
<b>L720W</b>	<b>L722W</b>
<b>L724W</b>	<b>L725W</b>
<b>L727W</b>	<b>L728W</b>
<b>L729W</b>	<b>L735W</b>



#### BENEFITS

- Easy to carry with heavy duty handle.
- Easy to remove splices with nest that pivots open.
- Safety and security is provided with captive locking pin for nest die.
- Long life expectancy (50,000 cycles) with heavy duty steel frame.
- Fast easy die changing and secure die positioning with positive die release locking pins.
- Faster retraction with double acting hydraulic system (Y60BHUD).
- Protected male coupler with captive cap.
- Stability is provided with sturdy steel base.
- Easy, less costly repairs with fewer parts that are easily accessible (example: Bottom die holder).
- 5-year limited warranty.

#### SPECIFICATIONS

**Force developed:** 60 tons  
**Operating pressure:** 10,000 psi  
**Hydraulic oil:** BURNDY® ALFLUID™  
**Life expectancy:** 50,000 cycles min.  
**Height:** 16.62"  
**Weight (less case):** 70 lbs.  
**Shipping weight:** 97 lbs.

#### FOR USE ON

##### Copper

300 kcmil - 2000 kcmil  
 Str. Code Cable  
 Terminals  
 YA, YA-2N, YAB-4N, YA-L, YA-2LN, YA-LB  
 Splices  
 YS, YST, YS-L, YS-T, YSP-T

##### Aluminum

250 kcmil - 2000 kcmil  
 Str. Code Cable  
 Terminals  
 YA-A  
 Splices  
 YS-A, YS-AT

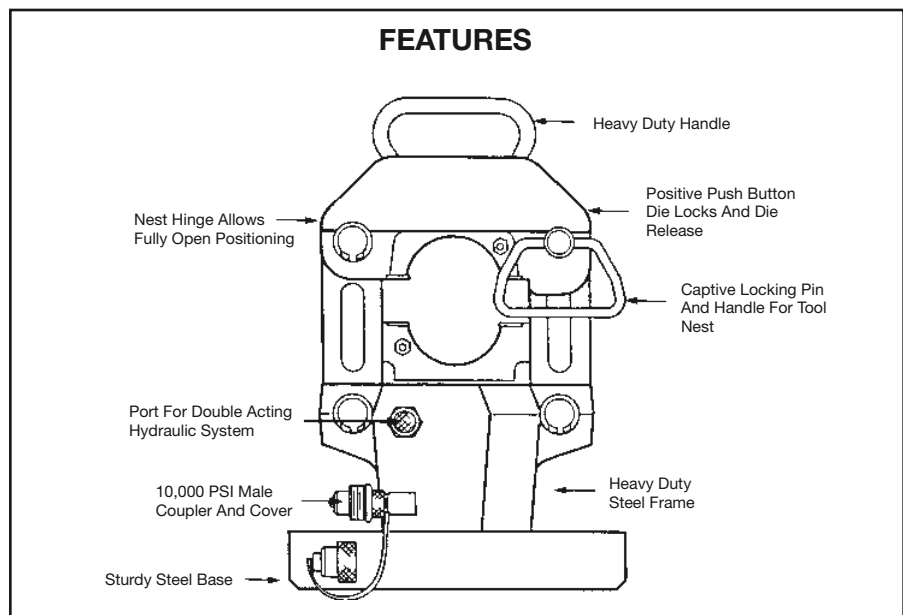
##### Transmission and Distribution Connectors

###### Tension Sleeves:

Copper: 1/0 str. - 1000 kcmil  
 Aluminum: 1/0 str. - 2300 kcmil  
 ACSR: 1/0 - 2156 (84/19 str.)

###### Aerial:

Copper: 4/0 str. - 2500 kcmil  
 Aluminum: 3/0 str. - 2500 kcmil  
 YTS, YTN, YNS, YNA, YNT, YNTA, YNU,  
 YDS, YDN, YCS, YCA, YCU



**Y46 AND Y46C**

**HYPRESS™**

**15 Ton Force Remote Operated Hydraulic Tool—10,000 PSI**

The Y46 standard tool and Y46C rubber covered tools are lightweight, compact and versatile with installation dies for both circumferential and nest-indentor types. Accessories include “U-” die adapter, a cable cutting die for 1.2” diameter non-steel conductors, plus a lifting eye and universal hot-stick adapter for overhead line construction. 5-year limited warranty.



**BENEFITS**

- Compact “C” shaped head allows easy placement and removal from continuous conductor lengths.
- Versatile and economical-HYPRESS™ tools work on all commonly used copper and aluminum products.
- Dies and adapters lock into or remove from tool head easily with the positive push button die locks.
- Safety, strength and high quality is provided with strong forged steel and precision machined components.
- Excellent for HYGROUND® compression grounding applications through 1” ground rods and up to 500 kcmil taps, terminals and splices.
- Provides UL Listed and CSA Certified connections when used in conjunction with listed BURNDY® HYLUG™ terminals and HYLINK™ splices.
- Y46C has a permanently molded head of 3/16” rubber and includes a separate molded rubber boot to cover the lower HYPRESS™ body and hydraulic coupler for impact protection.

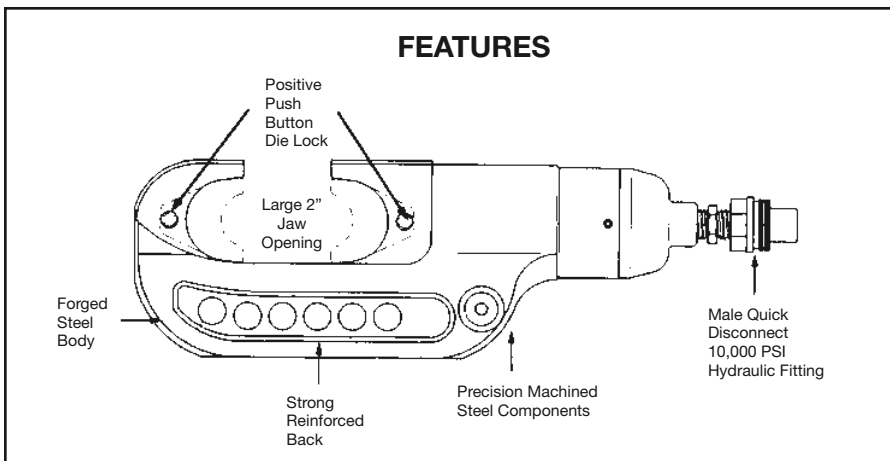
**SPECIFICATIONS**

	<b>Y46</b>	<b>Y46C</b>
<b>Force developed:</b>	15 Tons	15 Tons
<b>Operating pressure:</b>	10,000 psi	10,000 psi
<b>Jaw opening:</b>	2”	2”
<b>Maximum width:</b>	4-1/2”	4-3/4”
<b>Overall length:</b>	15”	21-3/4” (incl. boot)
<b>Weight (less case):</b>	16 lbs.	17-1/2 lbs.
<b>Molded Covering:</b>	No	Yes

**FOR USE ON**

<b>Connector Type</b>	<b>Conductor Range</b>
Copper #8 AWG str.-1500 kcmil Code Cable Navy Cables Flexible and Extra Flexible 1/2”-1” Ground Rods	Terminals-Grounding to 500 kcmil YGA, YGHA, YGF Terminals-Uninsulated #8 to 1500 kcmil YA, YA-2N, YA-L, YA-LB, YA-TC, YA-2LN, YAB-4N, YAV-L Box, YAV-L, YAV-RS Box, YAV-RS, YA-TC-FX Terminals-Insulated #8 to 2/0 YAEV-L Box, YAEV-L, YAEV-H, YAEV-RS, YAEV-RH Splices #8 to 1500 kcmil YS, YS-T, YS-L, YS-LB, YST, YSP-T, YGS, YGHS Taps YH, YCHC #14 to 1000 kcmil YC-C to 4/0 AWG Taps-Grounding to 500 kcmil YGHC-C, YGHP-C, YGHR-C
Aluminum #8 AWG-1250 kcmil Code Cables	Terminals YA-A, AYP, AYPO Splices YS-A, YS-AT, YRB Taps YFD, YFN, YFO, YFR
ACSR	See Burndy Overhead Transmission and Distribution Catalog Module

**FEATURES**



**ACCESSORIES:**

- Cat. No.**
- P15K** Cutter die max. 1.2” dia.
  - PUADP-1** “U”-die adapter
  - PT10128** Universal hotstick adapter-Y46
  - Y46-2** Same as Y46 with Female coupler

### Y45

#### HYPRESS™

#### 15-Ton Remote Power Operated Hydraulic Tool—10,000 PSI

The Y45 Series is designed for remote hydraulic operation. A C-shaped head design provides easy installation of tap and splice connectors. The hook style head with extensive ram travel operates easily on large distribution and transmission conductors. Together with accessories, the Y45 Series tooling may be used on overhead lines. The small light-weight head design is very adaptable for work in underground trenches and manholes. Uses standard BURNDY® “S” Dies.

Cat. No. **PT6515** is required to use “U-” type dies in all Y45 variations. Order Head, Hose, Pump, Dies, and accessories separately. 5-year limited warranty.



PT6545

#### BENEFITS

- Easy connector installation and tool removal from line conductors with the open C-shaped head.
- Easily lifted into working position using lifting eye.
- Easy die changing plus secure die alignment is provided with the positive die lock buttons.
- Long life expectancy is provided with fully protected ram and die buttons.
- Rapid assembly and disassembly is provided with the quick disconnect hydraulic coupler.
- Rugged design provides long life expectancy.
- 5-year limited warranty.

#### SPECIFICATIONS

	<b>Y45</b>
<b>Operating pressure:</b>	10,000 psi
<b>Force developed:</b>	15 Tons
<b>Weight (less case):</b>	15-3/4 lbs.
<b>Maximum Width:</b>	7-1/4"
<b>Maximum Height:</b>	14-1/4"

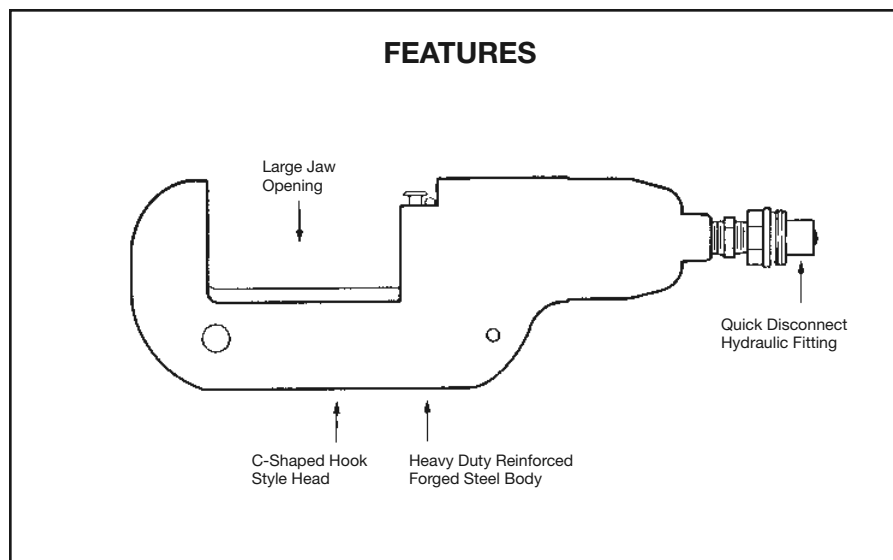
#### FOR USE ON

AWG/kcmil Wire Size Range	Connector Type
Tension Sleeves	Copper #8 sol. - 500 kcmil Aluminum #6 sol. - 954 kcmil ACSR #4 - 795 (26/7)
Taps	Aluminum #14 - 954 (18/1) ACSR ACSR #6 - 795 (54/7)
Aerial Cable Connectors	Copper #6 str. - 1500 kcmil Aluminum #4 str. - 1000 kcmil
HYGROUND®	
Compression Grounding	Copper #6 - 500 kcmil 1/2" - 1" ground rods
Code Cable Terminals and Splices	Copper #8 - 1500 kcmil Aluminum #8 - 1000 kcmil
Taps	Copper #14 - 1000 kcmil Aluminum #14 - 900 kcmil

#### ACCESSORIES:

Cat. No. **PT6515**  
Description:  
Adapter for use with “U-” die sets.

Cat. No. **PT6545**  
Description:  
Die carrying case for “S” and “P” type dies. Holds eight (8) die sets. (Dies sold separately.)



**Y750BHXT AND  
Y750CBHXT RUBBER  
COVERED HEAD**

**HYPRESS™**

12-Ton Remote Power Operated Hydraulic Tool

Conductor Range:  
#14 - 750 kcmil Al/Cu  
#4 - 556.5 kcmil ACSR

12 ton remote power operated hydraulic tool. The Y750BHXT HYPRESS™ incorporates a wide mouth (1.65") C-shaped head for all compression applications. The hook style head provides for easy tapping, splicing, and terminating of overhead lines as well as the full range of HYGROUND® compression grounding system connectors, NEC cable connections and N30 - N650 Navy cable applications.

All standard BURNDY® "U" dies fit the Y750BHXT and Y750CBHXT HYPRESS™. Dies and accessories sold separately.

The Y750CBHXT has a permanently molded rubber covered head and includes a separate rubber molded boot that covers the lower body and hydraulic fitting for tool impact protection. 5-year limited warranty.



**BENEFITS**

- Covers a wide range of applications and provides easy tool removal from continuous conductors with its C-shaped head (1.65" opening).
- Easy die change out and retention with exposed positive die lock buttons.
- Uses all standard BURNDY® U-dies.
- Y750CBHXT provides molded rubber covering on head, body and hose fittings.
- Hot stick adapter sold separately.
- Infinitely rotatable head, so hydraulic couplers won't easily loosen.
- 5-year limited warranty.

**SPECIFICATIONS**

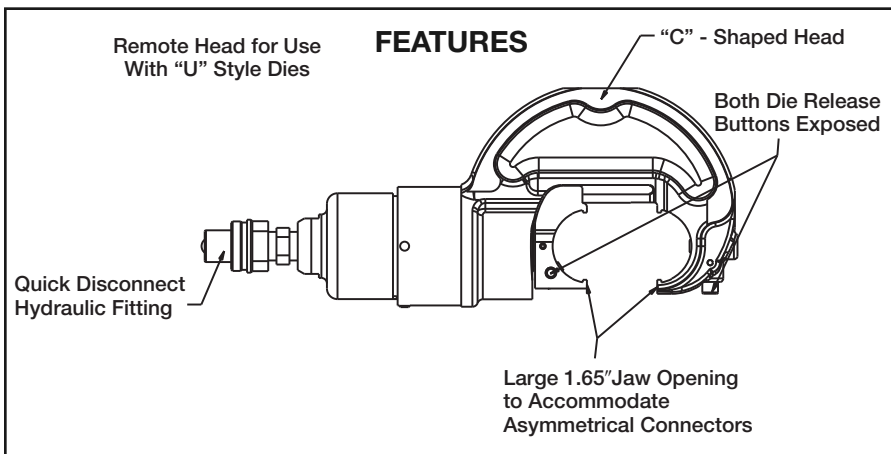
- Operating pressure: 10,000 psi
- Force developed: 12 tons
- Jaw opening: 1.65" (42 mm)
- Length: 12.8" (325 mm)
- Weight: 10.3 lbs. (4.7 kg)
- Head width: 5.2" (132 mm)

**FOR USE ON**

- **Tension Sleeves**
  - Copper #8 sol - 500 kcmil
  - Aluminum #6 sol. - 556.5 kcmil
  - ACSR #4 - 556.5 kcmil
- **Taps**
  - Copper #14 solid - 500 kcmil
  - Aluminum #6 - 500 kcmil
- **Aerial Cable**
  - Copper #6 - 500 kcmil
- **Terminals and Splices**
  - Aluminum #8 - 750 kcmil
  - Copper #8 - 750 kcmil
  - ACSR #4 - 556 kcmil
- **HYGROUND® (Compression Grounding)**
  - Copper #6 - 500 kcmil (cable/ground rod)
  - Ground Rods 1/2" - 1" Diameter

**ACCESSORIES:**

<u>Cat. No.</u>	<u>Description</u>
PT29402-1	Adjustable head grip for joining head to universal hot sticks.
PT29279-2	Force test gauge for accurate visual reading of output force.
PT29291	Die Case Steel case for storage and protection of "U" dies.
<b>WIREMIKE</b>	Provides quick and easy identification of commonly used conductors.



### Y35BH HYPRESS™ 10,000 PSI

#### Remote Power Operated Compression Tools

The Y35BH series remote head is designed for remote power operation and incorporates the same C-shaped head as the Y35. The hook style head with extensive ram travel provides for easy tapping and splicing of overhead lines as well as HYGROUND® compression grounding systems. Uses all standard BURNDY® “U” dies.

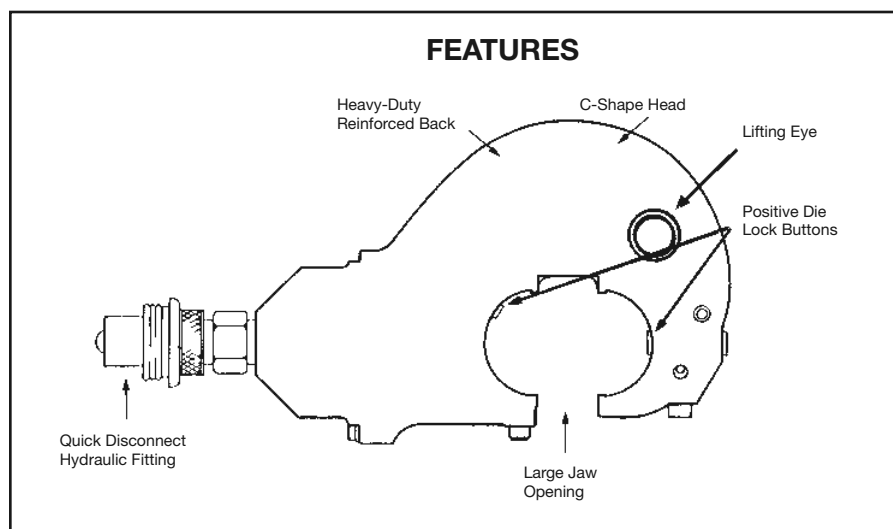
The remote power operated Y35 heads are available covered with 3/16” molded rubber for tool impact protection.

Order head, hose, pump, dies and accessories separately. Five-year limited warranty.



#### BENEFITS

- Easy tool removal from line conductor after compression taps are installed with the open “C” shaped head.
- Easily lifted into working position using the lifting eye.
- Easy die changing plus secure die alignments provided with the positive die lock buttons.
- Uses all standard BURNDY® “U” dies.
- Long life expectancy is provided with heavy duty reinforced back.
- Mates with all universal type Hot-stick tooling.
- Rapid assembly and disassembly is provided with the quick disconnect hydraulic fitting.
- Type Y35BH-4 head is covered with 3/16” molded rubber.
- 5-year limited warranty.



#### SPECIFICATIONS

	Y35BH	Y35BH-4
Operating pressure:	10,000 psi	10,000 psi
Jaw Opening:	.95"	.95"
Force developed:	12 tons	12 tons
Weight (less case):	8 lbs.	9 lbs.
Maximum width:	4-3/4"	6"
Maximum height:	9-1/4"	10-1/2"
Molded covering:	—	Yes

#### FOR USE ON

Connector Type	Conductor Range
Tension Sleeves	Copper #8 sol. - 500 kcmil Aluminum #6 sol. - 636 kcmil ACSR #4 - 556.5 (26/7)
Taps	#14 - 556.5 ACSR (18/1)
Aerial Cable Connectors	Copper #6 str. - 500 kcmil Aluminum #4 str. - 600 kcmil
Code Conductors	Copper #8 str. - 750 kcmil Term (400 kcmil splices) Aluminum #6 str. - 750 kcmil Term (400 kcmil splices)
HYGROUND® Compression Grounding	Copper (cable/cable) #6 - 500 kcmil Copper (cable/grd. rod) #6 - 250 kcmil Ground Rods 1/2" - 3/4"

#### Y35BH Variations:

- Y35BH** Head Only.
- Y35H** Includes the Y35BH HYPRESS™ head, PT29402-1 universal hot-stick adapter, and steel carrying case.
- Y35B** Includes the Y35BH HYPRESS™ head, PT91 steel reinforced hydraulic hose and an FP10 foot pump in a steel carrying case. Note: NOT for use on energized conductors.
- Y35BH-4** Permanent Molded Rubber Head. The Y35BH-4 is covered with 3/16” molded rubber for tool impact protection (not insulation).

**Y39BH HYPRESS™  
10,000 PSI**

**Remote Power Operated  
Compression Tool**

The Y39BH Remote Head is designed for remote power operation and incorporates the same small head as the Y39. Convenient die holder with recessed spring latch makes it easy to remove or lock into position. Dies are located and held in position with positive push button die locks. Dies sold separately. Uses all standard BURNDY® “U” dies. Five-year limited warranty.



**SPECIFICATIONS**

- Operating pressure:** 10,000 psi
- Force developed:** 12 tons
- Weight:** 6-1/2 lbs.
- Maximum head width:** 3-1/8"
- Minimum height:** 9-1/8"

**FOR USE ON**

**Copper**

- #6 AWG - 750 kcmil str. Code Cable
- N30 - N650 Navy Cable
- Flexible and Extra Flexible
- Terminals—Uninsulated  
YA, YA-L, YA-LB, YGH, YGHA
- Splices and Tees—Uninsulated  
YS, YS-L, YS-LB, YS-T, YSP-T, YST

**Copper-AN or AIR**

- #6 AWG - 4/0 str. Code Cable
- AN6 - AN 4/0 Aircraft Cable
- Flexible and Extra Flexible
- Terminals—Uninsulated  
YAV-L Box, YAV-L, YAV-RS Box, YAV-RS
- Splices and Tees—Uninsulated  
YSV-L Box, YSV-L

**Copper-Insulated Terminals**

- #8 AWG - 2/0 str. Code Cable
- AN8 - AN 2/0 Aircraft Cable
- Flexible and Extra Flexible
- Terminals—Insulated  
YAEV-L Box, YAEV-L, YAEV-RS Box, YAEV-RS, YAEV-RH

**Copper - Taps**

- #12 AWG Solid - 250 kcmil
- Taps—YC-C, YGHC-C, YGHP-C, YGHR-C, YH, YCHC

**Aluminum**

- #8 AWG - 750 kcmil str. Code Cable
- Terminals—YA-A
- Splices—YS-A, YS-AT, YRB

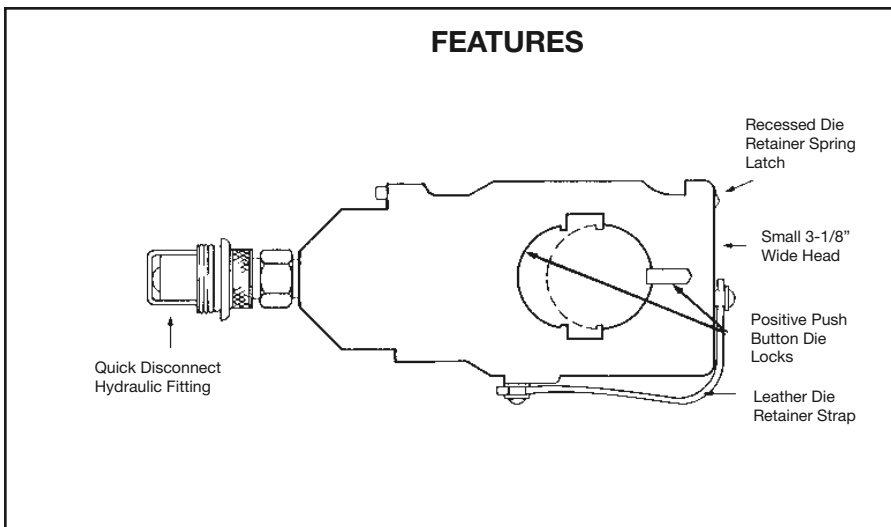
**Aluminum**

- #6 str. - 500 kcmil
- Taps—YFD, YFN, YFO

**BENEFITS**

- Easy to work in small tight spaces with only a 3-1/8" wide compression head.
- Easy to locate and hold dies in position with the positive push button die locks plus die changing is accomplished easily without ball checks or set screws.
- Easy to remove or lock into position die holder with recessed spring latch plus leather strap to prevent loss.
- Provides UL Listed and CSA Certified connections when used in conjunction with listed BURNDY® HYLUG™ terminals and HYLINK™ splices.
- Uses all standard BURNDY® “U” dies.
- Very versatile tool that is able to work with 10,000 PSI pumps.
- 5-year limited warranty.

**FEATURES**



### Y644MBH

#### Dieless HYPRESS™

#### Remote Operated Hydraulic Tool—10,000 PSI

The “1” Crimp-Range Taking 11-Ton Force Hydraulic Remote Tool #6 - 1000 kcmil Copper HYLUG™ Terminals and HYLINK™ Splices #6-1000 kcmil Aluminum HYLUG™ Terminal and HYLINK™ Splices

The “1” Crimp Type Y644MBH Dieless HYPRESS™ Remote Tool, crimps 195 different copper and aluminum HYLUG™ terminals and HYLINK™ splices, which cover the breadth of 38 code conductor sizes and 15 Navy cable sizes.

Only one (1) crimp is required for each wire termination for both long and standard length barrels on BURNDY® HYLUG™ and HYLINK™ connectors throughout the entire conductor range. The Y644MBH dieless remote head tool operates on 10,000 psi hydraulic pressure and develops an output force of 11 tons, the same as the self-contained Y644M Dieless HYPRESS™. Five-year limited warranty.

The following size HYDENT™ lugs and two way splices, when crimped with the Y644MBH Dieless HYPRESS™ Tool, produce the following range taking capabilities.

Aluminum Connectors		Copper Connectors	
Standard Wire Size	Expanded Wire Range	Standard Wire Size	Expanded Wire Range
#6 AWG	#6 AWG	#6 AWG	#6 AWG
#5 AWG	#5-#6 AWG	#5 AWG	#5-#6 AWG
#4 AWG	#4-#6 AWG	#4 AWG	#4-#6 AWG
#3 AWG	#3-#6 AWG	#3 AWG	#3-#6 AWG
#2 AWG	#2-#6 AWG	#2 AWG	#2-#6 AWG
#1 AWG	#1-#2 AWG	#1 AWG	#1-#6 AWG
1/0 AWG	1/0-#1 AWG	1/0 AWG	1/0-#6 AWG
2/0 AWG	2/0-#1 AWG	2/0 AWG	2/0-#4 AWG
3/0 AWG	3/0-#1 AWG	3/0 AWG	3/0-#2 AWG
4/0 AWG	4/0-#1 AWG	4/0 AWG	4/0-#1 AWG
250 kcmil	250-1/0 AWG	250 kcmil	250-1/0
300 kcmil	300-2/0 AWG	300 kcmil	300-2/0
350 kcmil	350-3/0 AWG	350 kcmil	350-3/0
400 kcmil	400-4/0 AWG	400 kcmil	400-4/0
500 kcmil	500-4/0 AWG	500 kcmil	500-4/0
600 kcmil	600-250 kcmil	600 kcmil	600-250
750 kcmil	750-500 kcmil	750 kcmil	750-500
1000 kcmil	1000-750 kcmil	800 kcmil	800-500
		1000 kcmil	1000-750



#### SPECIFICATIONS

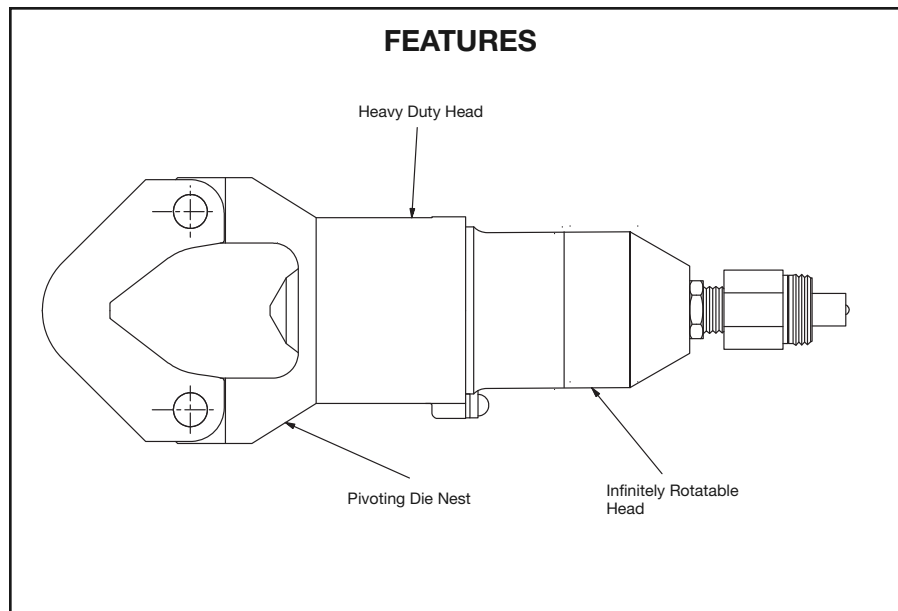
- Force Developed:** 11 Tons
- Operating Pressure:** 10,000 psi
- Head Width:** 3.93"
- Overall Length:** 12"
- Weight (less case):** 9-1/2 lbs.

#### FOR USE ON

AWG/kcmil Wire Size Range	Connector Type
Copper #6 - 1000 kcmil	Terminals YA-L, YA-2LN, YA, YA-2N, YA-L-2TC, YAB-4N, YA-L-TC, YA-2L, YA-4N Splices YS-L, YS-T, YS
Aluminum #6 - 1000 kcmil	Terminals YA-A, YA-A-TN Splices YS-A
Aluminum #6 - 750 kcmil	HYPLUG™ AYP, AYPO

#### BENEFITS

- Dieless system, eliminates the need to purchase and maintain dies.
- Easy tool positioning with its infinitely rotatable head.
- Easy inspection and positive identification is provided with the BURNDY® logo.
- Five-year limited warranty.





**4-POINT®  
Y81KFTMBH**

**Dieless HYPRESS™**

Remote Operated Dieless Hydraulic Tool—10,000 PSI

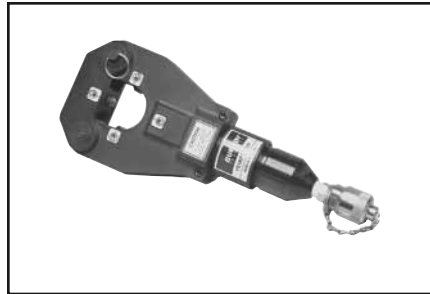
#8 - 1000 kcmil Copper HYLUG™ Terminals and HYLINK™ Splices

#8 - 750 kcmil Aluminum HYLUG™ Terminals and HYLINK™ Splices

The Y81KFTMBH 4-POINT® dieless HYPRESS™ is a remote powered 6 ton hydraulic crimping tool for use on a wide variety of terminal and splice compression applications. The Y81KFTMBH incorporates a dieless latch style head that provides easy tool removal from continuous conductor runs and eliminates the need to purchase and maintain dies. The Y81KFTMBH dieless remote head tool operates on 10,000 psi hydraulic pressure and develops an output force of 6 tons, the same as the self contained Y81KFTMBH. The result is easy termination and splicing using BURNDY® HYLUG™ and HYLINK™ terminals and splices.

The Y81KFTMBH is supplied with a canvas bag and quick connect fittings and comes complete with a 5-year limited warranty.

Y81KFTMBH dieless HYPRESS™ Range Taking Capabilities: The Y81KFTMBH provides range taking capabilities that is UL and CSA Listed for Copper (Code, Compact and Flex) and Aluminum (Code and Compact) conductors when used in conjunction with BURNDY® HYLUG™ terminals and HYLINK™ splices. See chart for connector, conductor and range taking combinations.



**Features and Benefits**

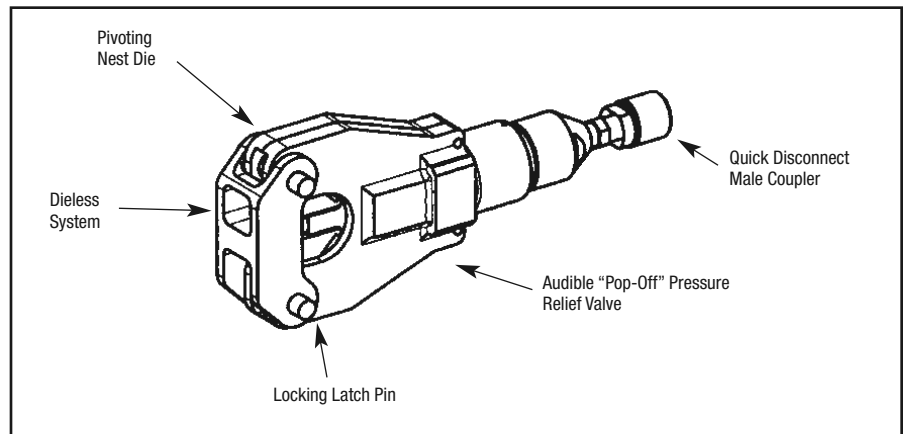
- Dieless installation system.
  - ◊ Eliminates the need to purchase and maintain dies.
- UL Listed and CSA Certified with Range Taking Capabilities
  - ◊ Provides the installer with UL Listed and CSA Certified crimps with Range Taking Capabilities when used in conjunction with BURNDY® HYLUG™ Terminals and HYLINK™ Splices.
- Flip top head design.
  - ◊ For easy loading and removal of installed terminals and splices, saving time.
- Incorporates Parker type quick connect couplers.
  - ◊ Eases installation time.
- Audible pressure “pop-off” valve and die embossment providing 360° inspectability.
  - ◊ Assures proper crimps with both audible and visual indicators for the installer.
- 5-year limited warranty on tool.
  - ◊ Customer satisfaction and support.

**SPECIFICATIONS**

- Output Force:** 6 tons (12,000 lbs.) (5.4 Metric Tons)
- Weight:** 8.5 lbs. (3.86 kg)
- Overall Length:** 13.9 in. (354 mm)
- Head Width:** 5.4 in. (138 mm)
- Operating Pressure:** 10,000 psi (68.9 MPa)

**FOR USE ON**

- Copper, Aluminum, Compressed, Compact, Stranded, Solid and Flex Conductors.
- Installs Splices, Taps and Terminations:
  - #8 - 1000 kcmil Copper (YA, YA-L, YS, YS-L, YS-T, Y-R)
  - #8 - 777.7 (750 Nominal Flex Wire Size) kcmil Flex (YA-FX, YAV, YA-L-FX, YS, YSV-FXB)
  - #8 - 750 kcmil Aluminum (YA-A, YS-A)
  - #8 - 750 kcmil Aluminium Pin Adapters (AYP, AYPO)



### 4-POINT® Y4PC834MBH

#### Dieless HYPRESS™

#### Remote Operated Dieless Hydraulic Tool—10,000 PSI

The Y4PC834MBH 4-POINT® C-head dieless HYPRESS™ is a remote powered 6-ton hydraulic crimping tool for use on a wide variety of tap, termination, and splice compression applications. The dieless capability of this tool eliminates the need to purchase or maintain additional dies. The Y4PC834MBH incorporates a C-shaped head design making it ideal for crimping in tight areas and is easily removed from continuous conductor runs. The head rotates 360° and is mated to a patented rapid advance pump. The Y4PC834MBH weighs only 8.35 pounds and delivers 6 tons of crimping force. The result allows for easy tap, termination and splicing of compression connectors.

The Y4PC834MBH is supplied with a canvas bag, quick connect fittings and comes with a 5-year limited warranty.

The Y4PC834MBH provides range taking capabilities that are UL Listed and CSA Certified for Copper (Code, Compact and Flex) and Aluminum (Code and Compact) conductors when used in conjunction with BURNDY® HYLUG™ terminals and HYLINK™ splices as listed on page C-7 in the Master Catalog.



#### Features and Benefits

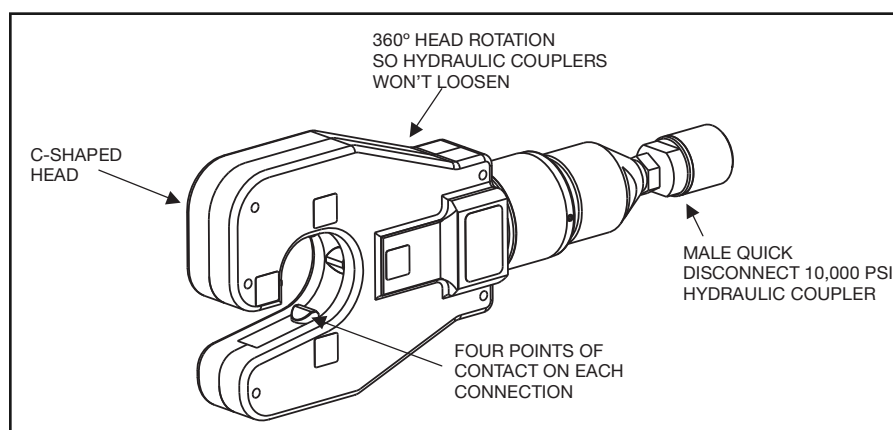
- Dieless installation system
  - ◇ Eliminates the need to purchase and maintain dies.
- UL Listed and CSA Certified with range taking capabilities
  - ◇ Provides the installer with a UL Listed and CSA Certified crimps when used in conjunction with BURNDY® HYLUG™ and HYLINK™ compression connectors.
- C-shaped head design
  - ◇ For easily removing tool from continuous run conductors — simply slide the opening of the head off the conductor. Also ideal for use in tight or constrained spaces.
- Visual 360° inspectability
  - ◇ Assures proper crimps with visual indicators for the installer.
- 5-year limited warranty
  - ◇ Customer satisfaction and support.

#### SPECIFICATIONS

- Output Force:** 6 Tons (5.4 Metric Tons)
- Weight:** 8.35 lbs (3.7 kg)
- Length:** 13.9 in (354 mm)
- Width:** 5.4 in (178 mm)

#### FOR USE ON

- Copper, Aluminum, Compressed, Compact, Stranded, Solid and Flex Conductors
- Installs Splices, Taps and Terminations:
  - #8 - 1000 kcmil Copper (YA, YA-L)
  - #8 - 500 kcmil Copper (YS, YS-T, YS-L, Y-R)
  - #8 - 777 (750 Nominal Flex Wire Size) kcmil Flex ((YA-FX, YAV, YA-L-FX)
  - #8 - 535 (500 kcmil nominal flex wire size) kcmil flex (YS, YS-LB, YSV-FXB)
  - #8 - 750 kcmil Aluminum (YA-A)
  - #8 - 350 kcmil Aluminum (YS-A)
  - #8 - 750 kcmil Aluminum Pin Adaptors (AYP, AYPO)



**Y34BH**

**HYPRESS™**

**Remote Operated Hydraulic Tool – 10,000 PSI**

9 ton remote power operated hydraulic tool. The Y34BH HYPRESS™ tool is designed for remote hydraulic power operation. Its new 10,000 PSI operating pressure makes it easily adaptable to most remote power systems. Its small C-shaped head is light-weight, compact and with a relatively large jaw opening ideally suited for NETWORK UNDERGROUND systems. The tool comes standard with permanent molded head with 3/16" rubber and includes a separate molded rubber boot that covers the lower body and hydraulic coupler for tool impact protection. Together, with other BURNDY® hydraulic accessories, the Y34BH HYPRESS™ tool may be used on lines. The Y34BH-1 has a ten foot non-conductive 10,000 PSI hose attached at the factory. The Y34BH Series tool has a 5-year limited warranty.



**BENEFITS**

- Allows for easy placement and removal from continuous conductor lengths.
- Long life.
- Fast ram retraction.
- Molded rubber covering on head, body, and hose fittings.
- Standard operating pressure.
- Ease in handling.
- Greater reliability.
- Reduced tool life cycle cost.
- 5-year limited warranty.

**SPECIFICATIONS**

- Operating pressure:** 10,000 psi
- Jaw opening:** 1-1/2"
- Max force generated:** 9 Tons
- Head and body rubberized
- Accommodates "B" dies
- Head length:** 11-1/2"
- Overall dimensions:** 16-3/4" (incl. boot)
- Total weight:** Approx. 8 lbs.

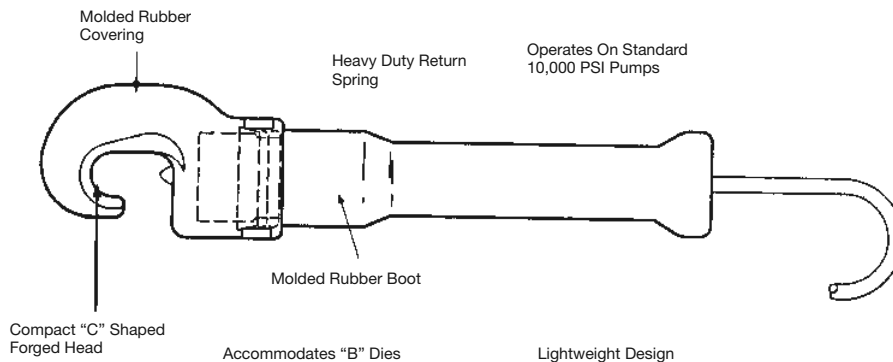
**FOR USE ON**

- Copper: #4-500 kcmil str.
- Welding Cable: 350 kcmil
- N40 to N500 Navy Cable
- Flexible and Extra Flexible
- #4 to 4/0 Aircraft Cable
- HYLUG™: Terminals-Uninsulated
- HYLINK™: Splices and Tees-Uninsulated
- HYCRAB™: BURNDY® Network Connector System.
- Copper: #4-500 kcmil str.
- Aluminum: #6-300 kcmil

Installation Nest	Die Indentor	Maximum Conductor Size	
		Copper	Aluminum
B4CD	Y34PA	#6 Str.	
B1CD	Y34PA	#4 Str.	
B26D	Y34PA	#2 Str.	
B26D	Y34PR-5	#1 Str.	
B27D	Y34PR-5	1/0 Str.	
B29D	Y34PR-5	2/0 Str.	
B30D	Y34PR-5	3/0 Str.	
B31D	Y34PR-5	4/0 Str.	
B32D	Y34PR-5	250 kcmil	
No die req'd.	Y34PR-11	300 kcmil	

Installation Nest	Die Indentor	Maximum Conductor Size	
		Copper	Aluminum
B4CD	Y34PR	#4 Str.	
B2CD	Y34PR	#2 Str.	
B1CD	Y34PR	#1 Str.	
B25D	Y34PR	1/0 Str.	
B26D	Y34PR	2/0 Str.	
B27D	Y34PR	3/0 Str.	
B28D	Y34PR	4/0 Str.	
B29D	Y34PR	250 kcmil	
B30D	Y34PR	300 kcmil	
B31D	Y34PR	350 kcmil	
No die req'd.	Y34PR	500 kcmil	

**FEATURES**



### Y29BH

#### HYPRESS™

#### Remote Operated Hydraulic Tool—6,000 PSI

4.5 Ton remote power operated hydraulic tool. The Y29BH HYPRESS™ tool is designed for remote hydraulic power operation. Its small, “C” shaped head is lightweight, designed for use in confined areas, where visibility and space is limited. Accommodates D-(series) nest dies and Y29-(series) indenter dies, for use with code or flex connector/conductor applications. Ideal for OEM applications. Dies sold separately. The Y29BH has a 5-year limited warranty.



#### SPECIFICATIONS

- Operating Pressure:** 6,000 psi
- Height:** 3"
- Length:** 10.75" (including coupler fitting)
- Head Width:** 1.15"
- Jaw Opening:** 1.2"
- Weight:** 5 lbs.
- Output Force:** 4.5 tons (9000 lbs)
- Crimp Type:** Nest/Indentor

#### FOR USE ON

Copper #8 - 4/0 AWG, Code/Flex

#### Nylon Insulated Lugs

(Connectors meet MIL-T-7928 requirements)

- YAEV-L, YAEV-H, YAEV-RS, YAEV-RH

#### Non-Insulated Lugs

(Connectors meet MIL-T-7928 requirements)

- YAV-L, YAV-R, YAV-RS

#### Non-Insulated Splices

(Type YSV-L connectors UL Listed, CSA Certified)

- YSM, YSV-L

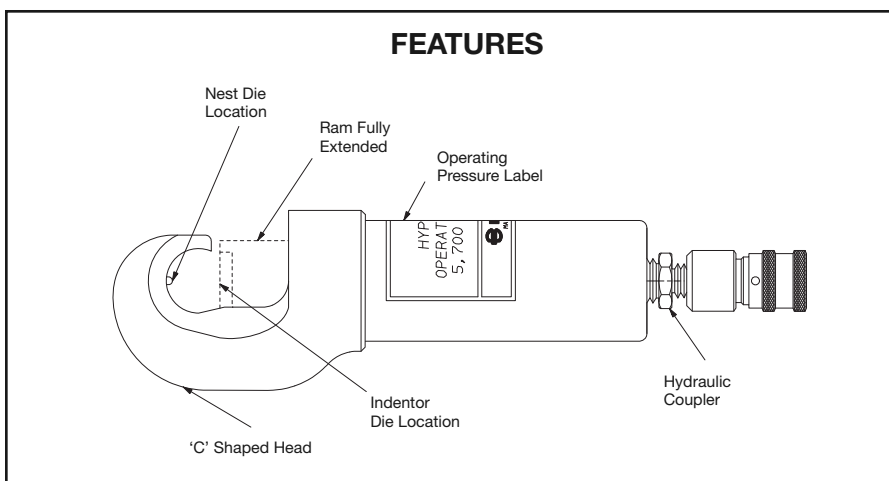
(Consult “Section B” of Catalog for detailed connector descriptions)

#### BENEFITS

- Easy placement/removal on continuous conductor lengths.
- Lightweight, portable head design
- Companion tool of Y29NC pneumatic HYPRESS™.
- Installs a wide variety of lugs and splices
- Ideal for AN, Flex and Code conductor terminations.
- 5-year limited warranty.

Uninsulated Connectors		Maximum Conductor SIZE	Insulated Connectors	
NEST	IND.		NEST	IND
DV8L-1	Y29PL	#8 AWG	DEV8L	Y29PLE-1
DV6L	Y29PL	#6 AWG	DEV6L	Y29PLE-1
DV4L	Y29PL	#4 AWG	DEV4L	Y29PLE-1
DV2L	Y29PL	#2 AWG	DEV2L	Y29PLE
DV1L	Y29PL	#1 AWG	DEV1L	Y29PLE
DV25L	Y29PL	1/0 AWG	DEV25L	Y29PLE
DV26L	Y29PL	2/0 AWG	DEV26L	Y29PLE

#### FEATURES



**Y10D**

**HYTOOL™**

Two Tools in One—  
#22 - 10 AWG Nylon Insulated Connectors,  
#22 - 10 AWG Uninsulated Connectors

Hand-held plier type tool that will install #10 - 22 AWG nylon insulated and uninsulated terminals and splices, with a precision machined wire cutter for aluminum and copper wire in the nose of the tool. Long handles provide greater mechanical advantage. 5-year limited warranty.



**BENEFITS**

- Easy wire cutting with precision machined cutting blade.
- Save time, money and lower installed costs with one tool for both nylon insulated and uninsulated (bare) connectors.
- Easy tool operation out of the carton. No need to break in the tool prior to actual usage.
- A heavy duty forged steel tool, that has a rust resistant finish will provide a long durable life.

**BENEFITS (Continued)**

- Easier crimping on #22-10 bare and nylon insulated connectors because of the longer handles that provides greater mechanical advantage.\*
- Comfort grip handles fit hands comfortably helping make the tool easy to use.
- Provides UL Listed and CSA Certified connections when used in conjunction with listed BURNDY® HYLUG™ terminals and HYLINK™ splices.
- 5-year limited warranty.

\* Conductor crimp only.

**SPECIFICATIONS**

**Length:** 9-3/4"  
**Weight:** 13.5 oz.

**FOR USE ON**

**#10 - 22 AWG Nylon Insulated Terminals**

<u>Box Cat. Types</u>	<u>Bulk Cat. Types</u>
TN	YAES
TN-F	YAES-E
YAE-N BOX	YAE-N
YAE-N-F BOX	YAE-N-F
YAE-Z BOX	YAE-Z
YAEV BOX	YAEV

**#10 - 22 AWG Nylon Insulated Splices**

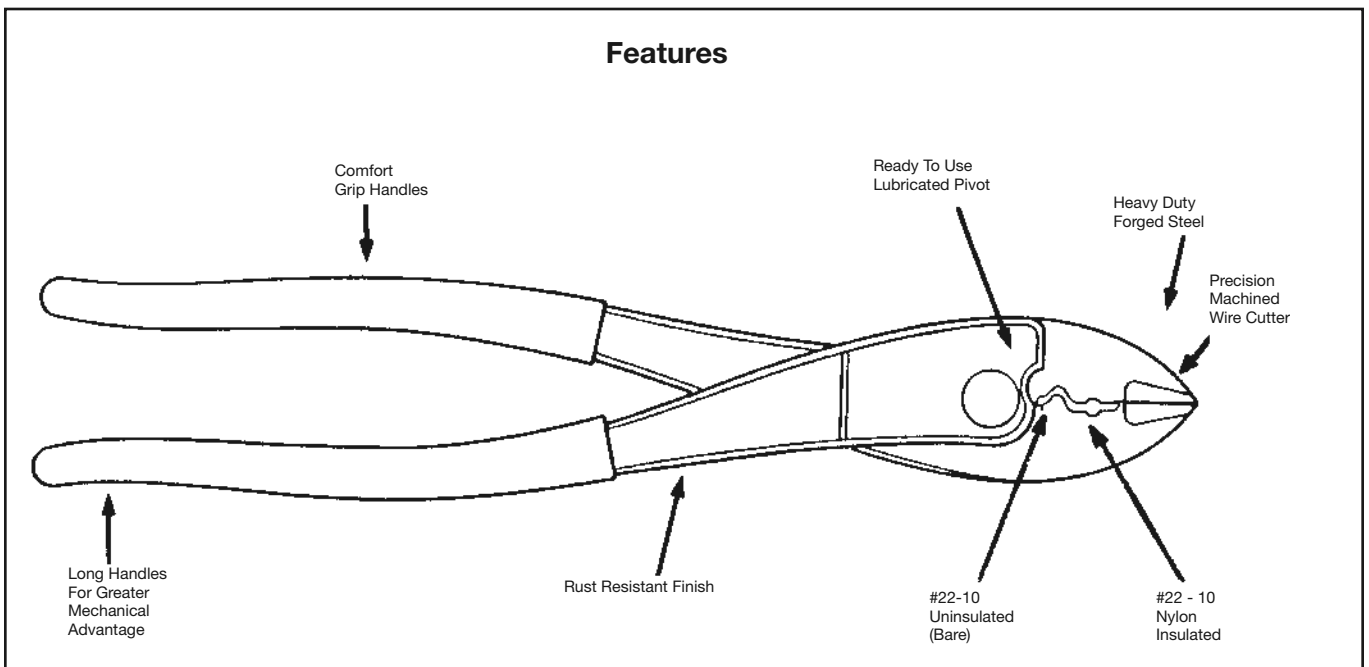
<u>Box Cat. Types</u>	<u>Bulk Cat. Types</u>
SN	YSE-HN *
SNM	YSES
YSE-H BOX *	YSE-H *

**#10 - 22 AWG Uninsulated (Bare) Terminals**

<u>Box Cat. Types</u>	<u>Bulk Cat. Types</u>
T	YAD
T-F	YAD-F
YAV BOX	YAV
YAV-T-F BOX	YAV-T-F
YAV-H BOX *	YAV-H *
YAV-H-F BOX *	YAV-H-F *
YAV-Z BOX	YAV-Z

**#10 - 22 AWG Uninsulated (Bare) Splices**

<u>Box Cat. Types</u>	<u>Bulk Cat. Types</u>
YSV BOX	YSV
YSV-H BOX *	YSV-H *



### Y10-22

#### HYTOOL™

#22 - 10 AWG Insulated Connectors,  
#22 - 10 AWG Uninsulated Connectors

Hand-held plier type tool to install #10 - 22 AWG insulated and uninsulated terminals and splices with a wire cutter in the nose of the tool. Will strip #10 - 22 AWG wire and cut common size mild steel and non-ferrous screws. 5-year limited warranty.



#### BENEFITS

- Easy wire cutting with anvil type wire cutter design.
- Crimps full range of insulated terminals and splices #22 - 10 AWG.
- Cut off dies for common size mild steel and non-ferrous screws.
- Crimps full range of uninsulated terminals and splices #22 - 10 AWG.
- Full range insulation strippers for wire sizes #22 - 10. One step stripping.
- Comfort grip handles fit hands comfortably helping make the tool easy to use.
- 5-year limited warranty.

\* Conductor crimp only.

#### SPECIFICATIONS

Length: 8-5/8"  
Weight: 11 oz.

#### FOR USE ON

##### #10 - 22 AWG Nylon Insulated Terminals

Box Cat. Types	Bulk Cat. Types
TN	YAES
TN-F	YAES-F
YAE-N BOX	YAE-N
YAE-N-F BOX	YAE-N-F
YAE-Z BOX	YAE-Z
YAEV BOX	YAEV

##### #10 - 22 AWG Nylon Insulated Splices

Box Cat. Types	Bulk Cat. Types
SN	YSE-HN *
SNM	YSES
YSE-H BOX	*YSE-H *

##### #10 - 22 AWG Vinyl Insulated Terminals

Box Cat. Types	Bulk Cat. Types
TP	BA
TP-F	BA-EF
TP-Z	BA-EZ

##### #10 - 22 AWG Vinyl Insulated Splices

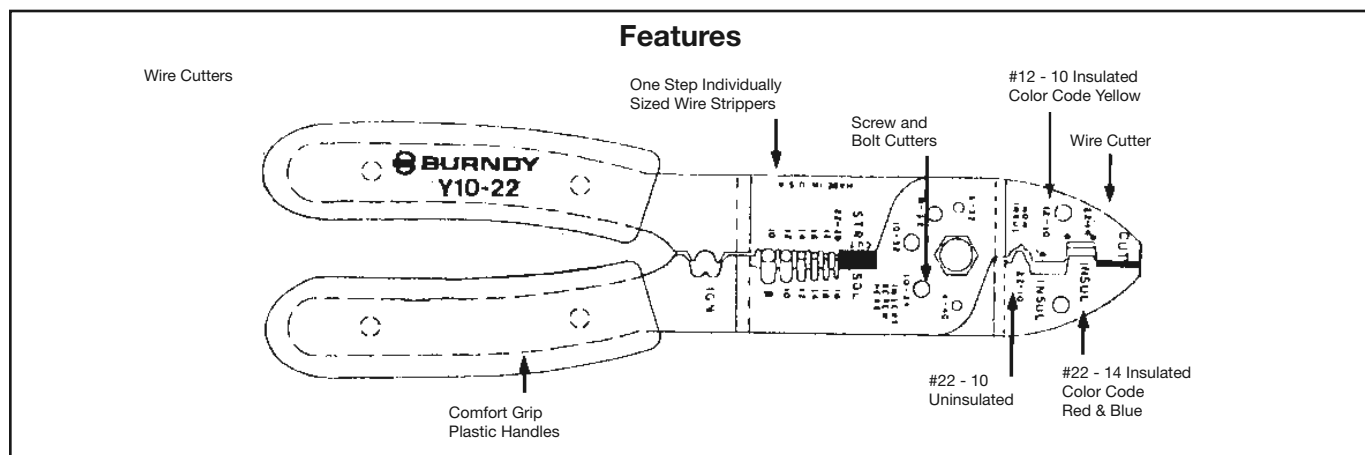
Box Cat. Types	Bulk Cat. Types
SP	BS

##### #10 - 22 AWG Uninsulated (Bare) Terminals

Box Cat. Types	Bulk Cat. Types
T	YAD
T-F	YAD-F
YAV BOX	YAV
YAV-T-F BOX	YAV-T-F
YAV-H-F BOX *	YAV-H-F *
YAV-Z BOX	YAV-Z

##### #10 - 22 AWG Uninsulated (Bare) Splices

Box Cat. Types	Bulk Cat. Types
YSV BOX	YSV
YSV-H BOX *	YSV-H *

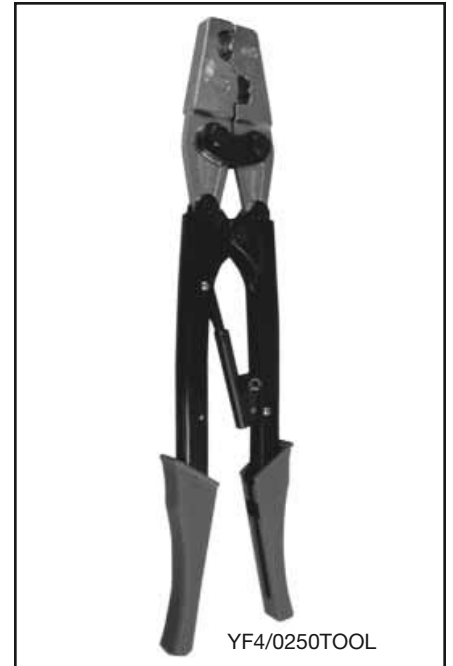


## YF-TOOL

### Installation Ratchet Tool for Bare and Insulated Ferrules

For Use On Copper Ferrules

These tools have been specifically designed to work with both the insulated and uninsulated ferrules type YF. Unless otherwise noted, the tools have a trapezoidal crimp type.



### Features and Benefits

- Ergonomic handle design to help ease installer fatigue
- Release mechanism
- Low handle force required

Catalog Number	Capacity	Crimp Profile	Weight	Handle Color
YF3206TOOL	32-6 AWG	Square	1.10 lbs	Black/Orange
YF2610TOOL	26-10 AWG	Trapezoidal	1.02 lbs	Blue
YF2214TOOL	22-14 AWG	Trapezoidal	1.05 lbs	Red
YF2210TOOL	22-10 AWG	Trapezoidal	1.05 lbs	Red
YF1006TOOL	10-6 AWG	Trapezoidal	1.05 lbs	Red
YF0801TOOL	8-1 AWG	Trapezoidal	1.80 lbs	Red
YF0401TOOL	4-1 AWG	Trapezoidal	1.50 lbs	Red/Blue
YF/03/0TOOL	1/0-3/0 kcmil	Trapezoidal	1.80 lbs	Red
YF4/0250TOOL	4/0-250 kcmil	Trapezoidal	1.80 lbs	Red



YF2214TOOL has one groove to accept 22-14 AWG range.



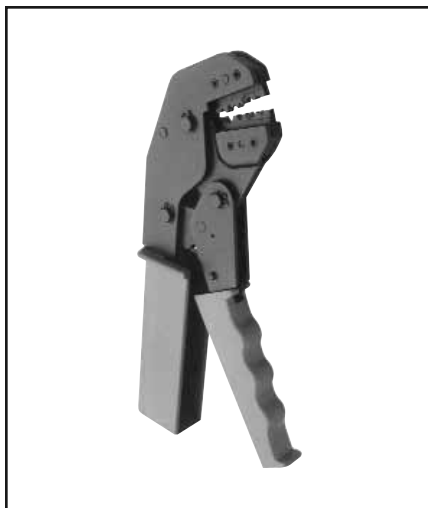
YF2610TOOL, YF2210TOOL, and YF1006TOOL have multiple grooves for range capacity.

### Y8MRB-1

#### HYTOOL™

#22 - 8 AWG

Hand-held full cycle ratchet tool for #8-22 AWG uninsulated terminals and splices. Full cycle feature builds in reliability and removes the human factor from the finished installation. 5-year limited warranty.



#### SPECIFICATIONS

**Length:** 9-1/2"  
**Weight:** 1.21 lbs.

#### FOR USE ON

BOX CAT. TYPES	BULK CAT. TYPES
----------------	-----------------

##### Uninsulated Terminals

T	YAD
T-F	YAD-F
YAV BOX	YAV
YAV-L BOX	YAV-L
YAV-T-F BOX	YAV-T-F
YAV-Z BOX	YAV-Z

##### Uninsulated Splices

YSV BOX	YSV
YSV-L BOX	YSV-L

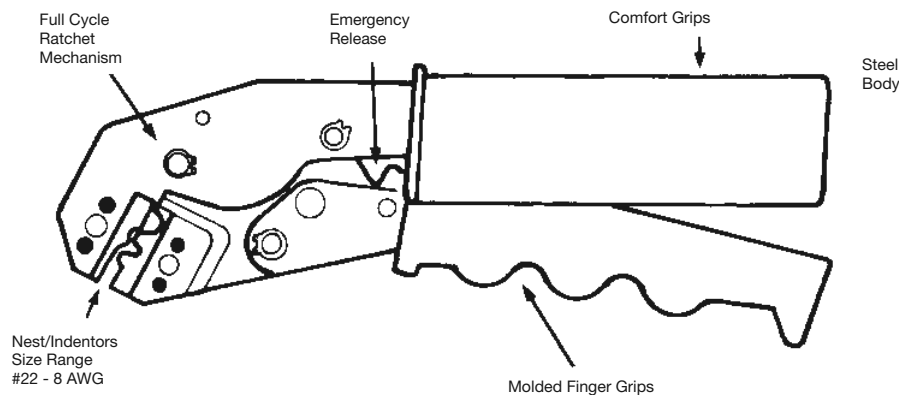
#### BENEFITS

- One tool to accommodate #22 - 8 AWG.
- Lightweight.
- Full cycle ratchet for positive crimping.
- Inspection (PG) gauges available to check each groove.

Groove	Gauge#
#18	PG395-1
#14	PG396-1
#10	PG397-1
# 8	PG398-1

- Each indenter has its own identifying mark for inspectability.
- Jaw opening orientation, molded finger and palm grips and the easy reach frame minimize user fatigue.

#### Features





# MR8

## HYTOOL™

### Full Cycle Ratchet Hand Tools

The HYTOOL™ Type MR8 series incorporates a full cycle ratchet mechanism that provides a complete, positive crimp each time. Once started the ratchet mechanism does not allow the handles to be opened until after the full ratcheting cycle is completed. This provides for a completed crimp before a connector can be removed from the tool. The MR8 series of tools are specifically designed with the ratchet mechanism completely inside the body of the tool without a path to reach and defeat the mechanism. This permits the tools to be used in the most critical applications including nuclear-class 1E terminations, heavy duty industrial, utility generation, OEM, aircraft, and other applications where a dependable electrical termination is needed. 5-year limited warranty.



### BENEFITS

- Lightweight aluminum permits easier continuous usage.
- One tool to accommodate #22 - 10 AWG.
- Easy groove identification with color-coded dies.
- Long life expectancy with fully protected ratchet mechanism.
- Easy one-hand tool operation with long handle length for greater mechanical advantage.
- 5-year limited warranty.

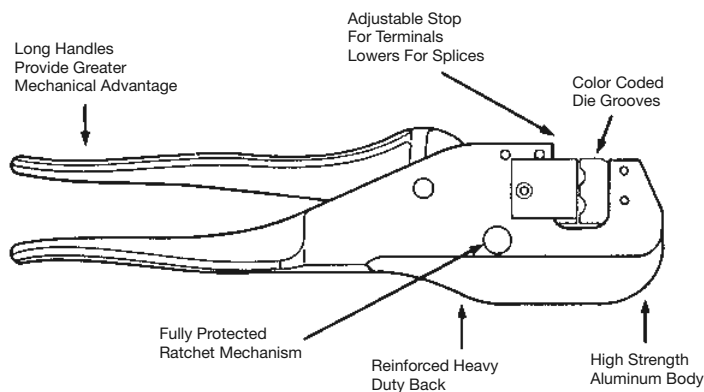
### SPECIFICATIONS

**Length:** 10-1/2"  
**Weight:** 1-1/2 lbs.

### FOR USE ON

Tool	AWG Size Range	Connectors	
		Box Catalog Types	Bulk Catalog Types
MR8-1A	#10 - 22 AN Copper Cable	INSULUG™	YAE
MR8-9Q	#8 - 18 AN Copper Cable #10 - 22 AWG Sol. Cable #8 - 22 Str. AWG Cable	YAV BOX YSV BOX T T-F	YAV, YSV YAD, YAD-F
MR8-33S-1	#10 - 18	YSE BOX	YSE
MR8-33T-1	MIL-W-5086 Str.	YSE-H BOX	YSE-H
MR8-G96	#14 - 22	TP	BA
MR8-G98	#10 - 22	YAV, T	YAD, YAV

### Features



### MRE10-22B, MRE10-22NV

#### HYTOOL™

#### Ergonomic Full Cycle Ratchet Hand Tools

MRE10-22B — #10 - #22  
Uninsulated Terminals and  
Splices

MRE10-22NV — #10 - #22  
Nylon and Vinyl Insulated  
Terminals and Splices

The MRE10-22B and MRE10-22NV ergonomic full cycle ratchet tools provide a complete positive crimp each time. The ergonomic comfort grip handles reduce operator fatigue during continuous use. Once started, the ratchet mechanism does not allow the handles to be opened until the full ratcheting cycle is completed, unless the operator actuates the emergency release lever. This provides for a completed crimp before a connector can be removed from the tool. The MRE10-22B crimps uninsulated (bare) terminals and splices ranging from #10 AWG - #22 AWG; the MRE10-22NV crimps nylon and vinyl terminals and splices ranging from #10 AWG - #22 AWG. The dies are color coded and stamped with the conductor size to provide an easy match of the die and proper BURNDY® terminal or splice. Each tool comes complete with a 5-year limited warranty.



#### Features and Benefits

- Ergonomic hand tools for crimping insulated and uninsulated terminals and splices
- Overmolded comfort grip handles reduce fatigue during continuous use
- Easy groove identification with color coded dies
- Full cycle ratchet tool to assure properly crimped connections
- Emergency release mechanism allows tool to open in case of misalignment or mistaken die choice
- Stop plate ensures proper location of terminals for consistent reliable connection every time
- UL Listed/CSA Certified connections when used with recommended BURNDY® terminals and splices
- Two tools accommodate nylon, vinyl and uninsulated terminals and splices #22 AWG - #10 AWG
- 5-year limited warranty

#### SPECIFICATIONS

**Tool Weight:** 1.3 lbs  
**Length:** 10.5"  
**Width:** 3"  
**Warranty:** 5 years

#### FOR USE ON

**MRE10-22B for uninsulated (bare) terminals and splices #22 - #10 AWG**

#### BURNDY® Connector Family:

T- (YAD-), T-F (YAD-F), YAV-, YAV-H, YAV-R, YAV-T-F, YAV-H-F, YAV-Z, YSV, YSV-H

#### Die Inspection Gauges:\*\*

#22 - #14 AWG: **PG-403-2R**  
#12 - #10 AWG: **PG-403-1R**

**MRE10-22NV for nylon and vinyl insulated terminals and splices #22 - #10 AWG**

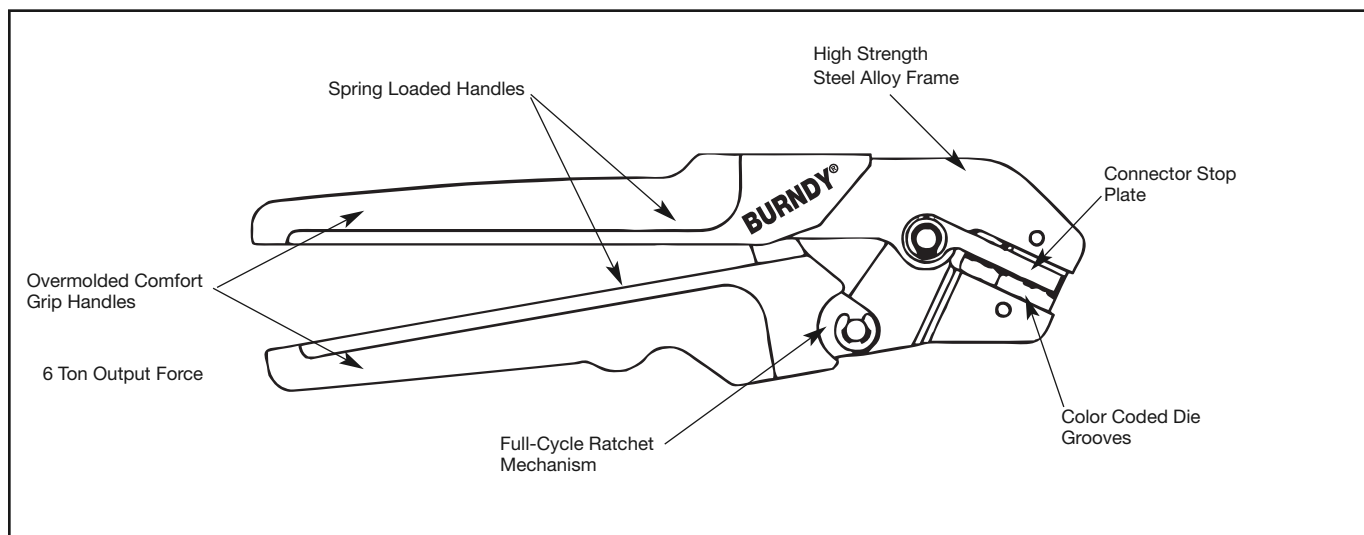
#### BURNDY® Connector Family:

TP- (BA-), TP-F (BA-EF), TP-Z (BA-EZ), TP-LF (BA-EL), SP (BS), TN- (YAES-), TN-F (YAES-F), SNM\* (YSES)\*, YAE-N-, YAE-N-F, YAE-Z, YSE-HN, YSE-H, YAEV- (\*excludes #10 size)

#### Die Inspection Gauges:\*\*

#22 - #18 AWG (Red): **PG-406-1**  
#16 - #14 AWG (Blue): **PG-407-1**  
#12 - #10 AWG (Yellow): **PG-408-1**

\*\*Die Inspection Gauges are sold separately

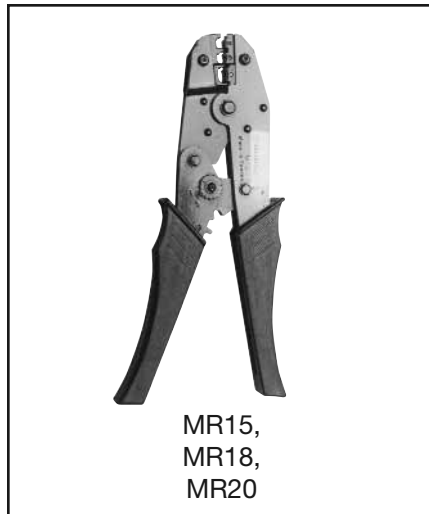


**MR15, MR18, MR20**

**HYTOOL™**

**Full Cycle Ratchet Hand Tools**

The Types MR15, MR18 and MR20 series HYTOOL™ incorporate a full cycle ratchet mechanism that provides a complete, positive crimp each time. Once started the ratchet mechanism does not allow the handles to be opened until after the full ratcheting cycle is completed, unless the user actuates the emergency release lever. This provides for a completed crimp before a connector can be removed from the tool.



**FOR USE ON**

**MR15 Vinyl Insulated Terminals and Splices (Wire Range 22 - 10 AWG)**

Vinyl Terminals		Vinyl Splices	
TP	BA	SP	BS
TP-F	BA-EF		
TP-Z	BA-EZ		
TP-LF	BA-EL		

**MR18 Nylon Insulated Terminals and Splices**

Nylon Terminals		Nylon Splices	
TN		SN	
TN-F		SNM	
YAES		YSE-HN	
YAES-F		YSES	

**MR20 Uninsulated Terminals and Splices**

Terminals		Splices	
T	YAD-F	YSV	
T-F	YAV-H*	YSV-H*	
YAV	YAV-H-F*		
YAD			
YAV-T-F			

\*Conductor crimps only.

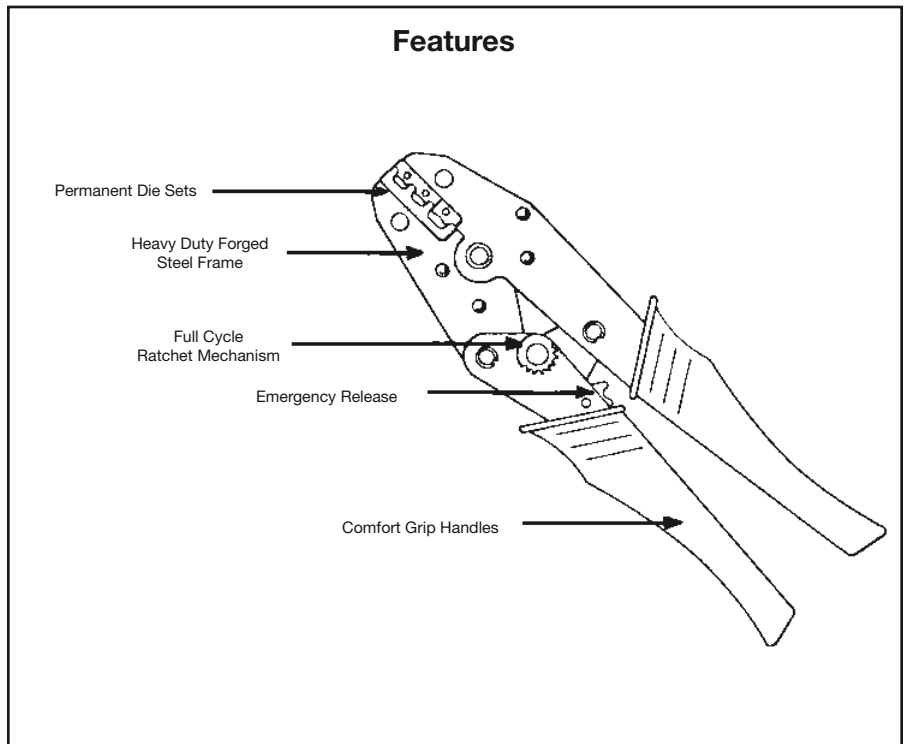
**SPECIFICATIONS**

- Length:** 8.86"
- Weight:** 1.10 lbs.
- Open:** 5.90"
- Closed:** 2.50"
- Wire Range:** #22-10 AWG

**BENEFITS**

- UL Listed for use with BURNDY® connectors.
- Fully ratcheted tool to assure properly crimped connections.
- Easy groove identification with color coded dies.
- Maximum crimping comfort grips.
- Compact, narrow nose to work in confined areas.
- 5-year limited warranty.

**Features**



### MR4C

#### Full Cycle Ratchet Hand Tool

For #9 - 4 AWG Uninsulated Terminals and Splices

Hand-held full cycle ratchet tool for #9-4 AWG uninsulated terminals and splices. Full cycle feature builds in reliability and removes the human factor from the completed installation. Long handles provide greater leverage. 5-year limited warranty.



#### SPECIFICATIONS

**Length:** 11-3/4"  
**Weight:** 2-1/4 lbs.

#### FOR USE ON

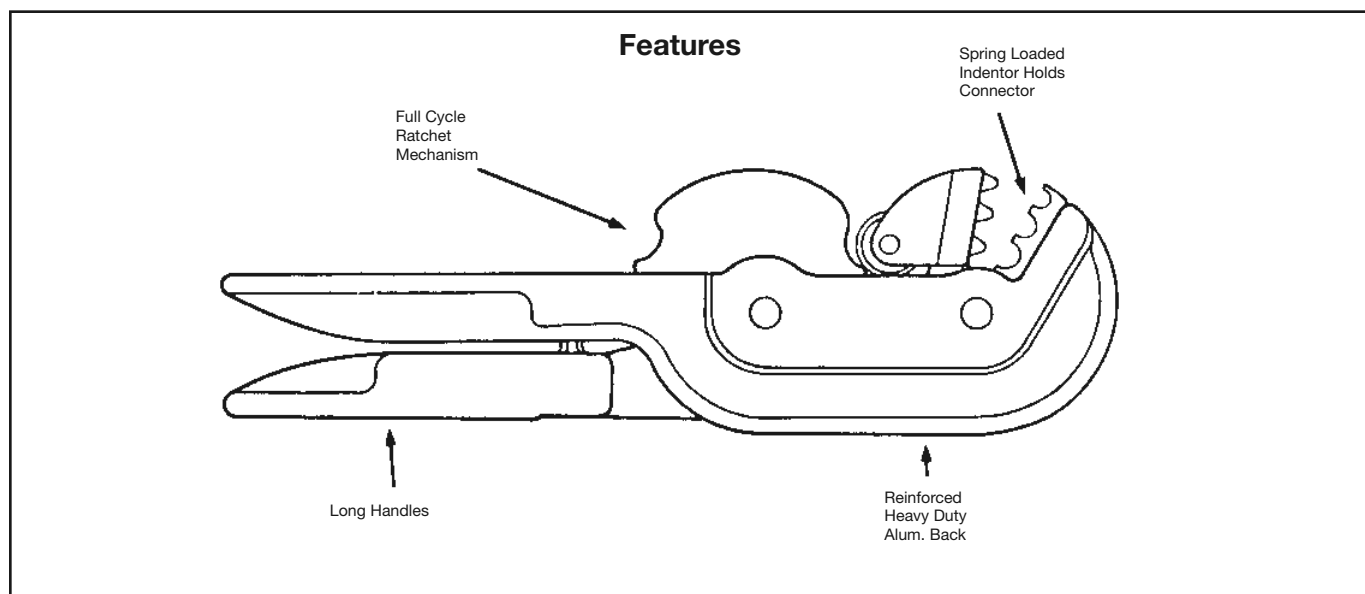
Terminals	YAV-L YA-L
Splices	YSV YSM YS-L

#### BENEFITS

- High strength aluminum body.
- Fully protected ratchet mechanism.
- Reinforced heavy duty back.
- Long handles provide greater mechanical advantages.
- Lightweight aluminum permits easier continuous usage.
- One tool to accommodate #9 - 4 AWG.
- Inspection (PG) gauges available to check each groove.

Groove		Gauge#
9-8	-	<b>PG121-1</b>
6	-	<b>PG125-1</b>
4	-	<b>PG133-1</b>

- Spring loaded indenter jaw holds connector in groove prior to crimping or ratchet engaging.
- 5-year limited warranty.



# Y1MRTC

## HYTOOL™

#8 – #1 Copper HYDENT™ Terminals, Splices, and #6 – #6 Thin-Wall C-Taps

Type Y1MRTC mechanical full cycle ratchet HYTOOL™ will accommodate copper compression HYDENT™ connectors for #8 through #1 code conductor, #8 through #2 Class I flexible strand copper conductor, and #2 solid. The color coded die wheel rotates to provide a proper match of the die and color coded connector. The die index is embossed on the crimped connector for permanent inspectability. A ratchet mechanism assures the tool must complete a full cycle before releasing.

### SPECIFICATIONS

- Length:** 9.875"
- Height:** 2.72" (closed)
- Width:** .73"
- Weight:** 1.7 lbs.
- Wire Range:** #8-#1 code conductor, #8-#2 Class I Flex, #2 Solid  
Up to #6-#6 (Brown) type "YC-L C-TAP"



### BENEFITS

- Rotating die is color coded to match color coded connectors
- Die index embossment allows permanent inspectability of installed connectors to ensure consistently reliable and dependable connections.
- Molded comfort grips reduce fatigue during continuous use.
- Ratchet mechanism assures a complete crimp every time.
- Emergency release mechanism allows tool to be removed from connector in case of mistaken die choice or to reposition tool.
- 5-year limited warranty.

### FOR USE ON

Cu Lug and Splice Connectors				
Copper Wire Size	Connector Catalog Types	Die Index # (Color)	# of Crimps Per Barrel Length	
			Std	Long
# 8 AWG Code & Flex	YA8C- YS8C- YAV8C- YSV8C-	49 (Red)	1	2
#6 AWG Code	YA6C- YS6C-	7 (Blue)	1	2
#6 AWG Code & Flex	YAV6C- YSV6C-			
#4 AWG Code	YA4C- YS4C-	8 (Grey)	2	4
#4 AWG Code & Flex	YAV4C- YSV4C-			
#3 AWG #2 Sol.	YA3C- YS3C-	9 (White)	2	4
#2 AWG Code	YA2C- YS2C-	10** (Brown)	2	4
#2 AWG Code & Flex	YAV2C- YSV2C-			
#1 AWG Code	YA1C- YS1C-	11** (Green)	2	4

\*\* Die Index 10 (Brown Die) and 11 (Green Die) use the same die wheel crimp groove.

Die Index Number Embossment on Connector after Crimp for inspection verification.

### Y1MRTC

Wire Range: #8 - #1 AWG Class B,  
#8 - #2 Class I Flex.  
#2 Solid & #3 Stranded

### Y1MRKIT

Kit Contains:  
Y1MRTC Full-cycle Ratchet Tool  
Sturdy Metal Carrying Case

Terminals:  
YA8CL, YA8CL1, YA6CL,  
YAV6CLTC14FX, YA4CL,  
YAV4CLTC14FX, YA2CL,  
YAV2CLTC516FX, YA1CL

Splices:  
YS8CL, YS6CL, YS4CL,  
YS2CL, YS1CL

### Y1MRTCKIT

Kit Contains:  
Y1MRTC Full Cycle Ratchet Tool  
Sturdy Metal Carrying Case

Terminals:  
YA8CL2TC14, YA8CL2TC38,  
YA6C2TC38, YA6CL2TC14,  
YA6CL2TC14E1, YA6CL2TC14E2,  
YA6CL2TC38, YAV6CL2TC14E2FX,  
YAV6CL2TC14FX, YA4CL2TC14,  
YA4CL2TC38, YA3C2TC38,  
YA2C2TC38, YA2CL2TC38,  
YA2CL2TC14

Thin-Wall C-Taps:  
YC4L12

Cu C-Tap Connectors				
Catalog Number	Wire Size Cu Str. AWG		Die Index # (Color)	# of Crimps
	Run	Tap		
YC10L12	14	16-14	49 (Red)	1
	12	16-14		
	10	16		
YC8L12	10	10	7 (Blue)	1
	8	12		
YC6L12	8	10-8	8 (Grey)	1
	6	12-10		
YC4L12	6	8-6	10 (Brown)	2
	5,4	12-8		

### M8ND

#### HYTOOL™

Full Cycle Ratchet Hand Tool

#8 - 26 AWG Terminals and Splices

Hand-held full cycle ratchet tool for #8 - 26 AWG terminals and splices. Full cycle feature builds in reliability and removes the human element from the completed installation. Long handles provide greater leverage. 5-year limited warranty.



#### SPECIFICATIONS

Length: 10-3/4"

Width: 1-3/4"

#### FOR USE ON

##### Terminals

YAD	BA-E
YAD-F	BA-EF
YAE	BA-ES
YAE-F	BA-EZ
YAE-Z	BA-EL
YAES	
YAEV-H	
YAEV-L	
YAV	
YAV-F	
YAV-H	
YAV-H-F	

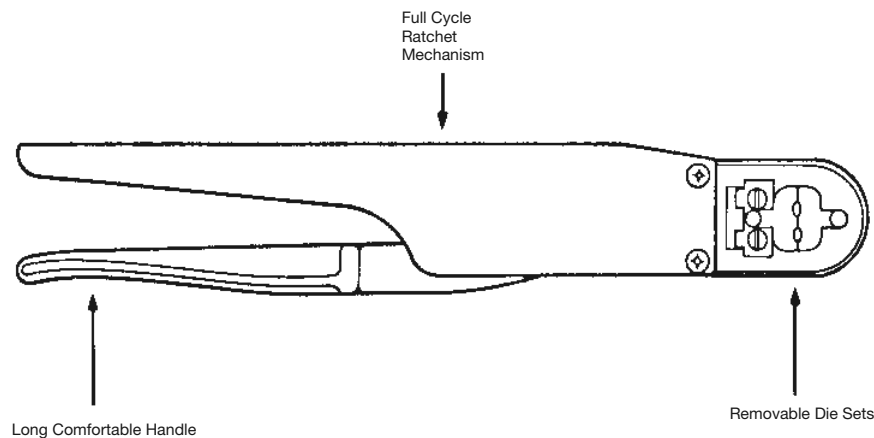
##### Splices

YSV	YSM
YSV-H	YRV-L

#### BENEFITS

- Fully protected ratchet mechanism.
- Reinforced heavy duty back.
- Long handles provide greater mechanical advantages.
- Uses all standard BURNDY® "N" dies.
- Easy groove identification with color-coded dies.
- 5-year limited warranty.

#### Features



**MRC840 AND  
MRC840AL**

**HYTOOL™**

Hand-Operated Tool

#8 - 4/0 AWG Non-Insulated  
Copper and Aluminum  
Terminals and Splices

The MRC840 Mechanical Rotating Crimp tool will accommodate BURNDY® copper compression YA and YS series of HYLUG™ and HYLINK™ terminals and splices from #8 - 4/0 AWG stranded copper conductor. The MRC840AL Mechanical Rotating Crimp tool for Aluminum HYLUG™ and HYLINK™ terminals and splices from #8 - 4/0 AWG aluminum and copper conductors. Butting steel jaws and over center cam action assure full crimp force.

The rotatable die wheel is color-coded and stamped with the conductor size to provide an easy match of the die and color-coded BURNDY® HYDENT™ terminals and splices. YA, YS, YA-A and YS-A series of copper and aluminum terminals and splices are UL Listed when installed with these tools. Each tool comes complete with a 5-year limited warranty.



**SPECIFICATIONS**

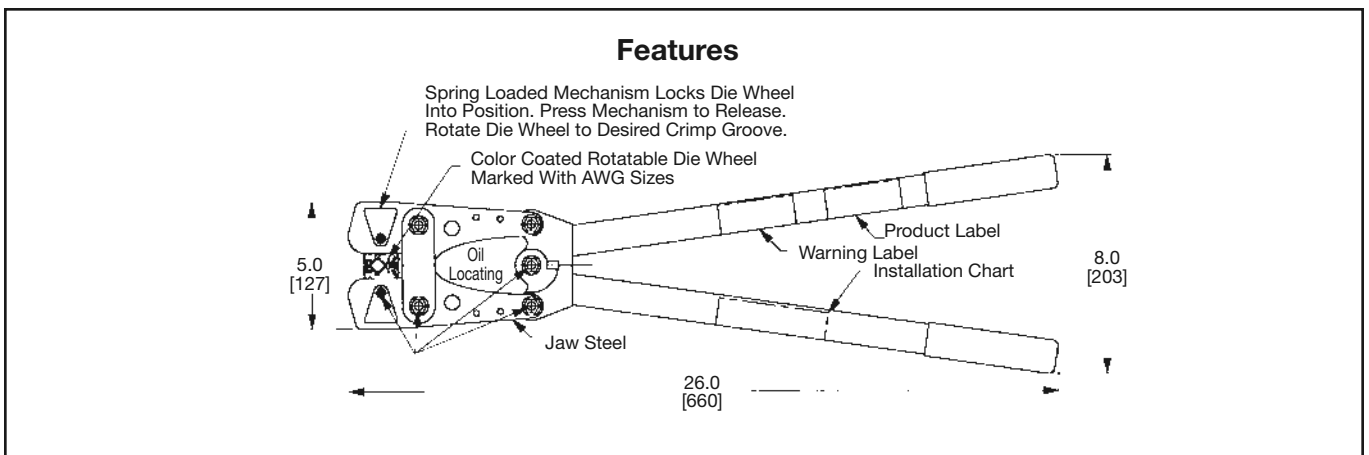
**Length:** 26"  
**Height:** 8"  
**Weight:** 8-1/4 lbs.

**FOR USE ON**

- MRC840** #8 - 4/0 AWG Copper  
Terminals and Splices (YA,  
YA-L, YS, YS-L)
- MRC840AL** #8 - 4/0 AWG Aluminum  
Terminals and Splices (YA-A,  
YS-A)

**Features and Benefits**

- Comfort grip handles.
  - ◇ Aids in prevention of hand slippage.
  - Reduces fatigue during continuous use.
- Heat treated steel jaws
  - ◇ Reduces jaw buckling and misalignment under heavy loading.
- Approximately 9,000 crimp cycle life.
  - ◇ Lasts longer than imitations and will still be working when others have worn out.
- Multiple grip selections on rotatable die wheels.
  - ◇ No lost dies, 9 position color-coded rotatable die wheels.
- High strength fasteners.
  - ◇ Increase tool life by reducing tool wear.
- Plated jaws.
  - ◇ Provide enhanced corrosion protection.
- Engraved crimp groove (Die index number).
  - ◇ Die index embossment allows permanent inspectability of installed connectors to ensure consistently reliable and dependable connections.



### MY

#### Dieless HYTOOL™

#8 Str. through 250 kcmil Copper,  
#8 Str. through 4/0 Str. Aluminum  
Conductors

#### BENEFITS

- Save on capital investment with the type MY HYTOOL™ that accommodates a wide range of connector/conductor combinations from #8 str.-250 kcmil.
- Save time, money, and lower installed cost with the original dieless MY tool design. No separate dies required to purchase or to lose.
- Fast and easy tool setting for the connector/conductor combination simply by aligning the white scribe on the nest die with the wire size on the gauge for proper crimping results.
- Easy to adjust nest die with knurled steel knob and machine threads.
- Quality tool with precision machined indenter, component parts and tool body.
- Fast, medium and high volume crimping is easily accomplished by bench mounting the type MY tool in the BMY-BCH-MT bench mount adapter. A single bolt holds the MY HYTOOL™ securely using the .31 dia. mounting hole in the bench mount adapter.



#### BENEFITS (Continued)

- High quality rugged tool design manufactured from heavy duty forged steel with strong reinforced back and handles.
- Covered handles available on the MY29-3C, MY29-11C and MY29-3CF HYTOOL™.
- Comfort grip handles for long periods of usage.
- Provides UL Listed and CSA Certified connections when used in conjunction with listed BURNDY® HYLUG™ terminals and HYLINK™ splices.
- 5-year limited warranty.

#### SPECIFICATIONS

**Length:** 22.65"  
**Width:** 8 lbs. approx.  
**Depth:** 4.86"  
**Width:** 1.12"

Bench Mount Adapter  
Cat. No. **BMY-BCH-MT**

#### FOR USE ON

Tool	Connectors
<b>MY29-3</b>	
<b>MY29-3C</b>	Copper-YA, YA-L, YS-L
<b>MY29-3CF</b>	Aluminum-YA-A, YS-A
<b>MY29-11</b>	Copper-YA, YA-L, YS
<b>MY29-11C</b>	YAV-FX YS-L, YAV-L, YSV-L
<b>MY28</b>	YAV-L, YSV-L
<b>MY28-4</b>	YAV-A-L, YSV-A-L, YAV-A-R
<b>MY28-6</b>	YAE-L, YAEV-RS, YAEV-H, YAEV-RH

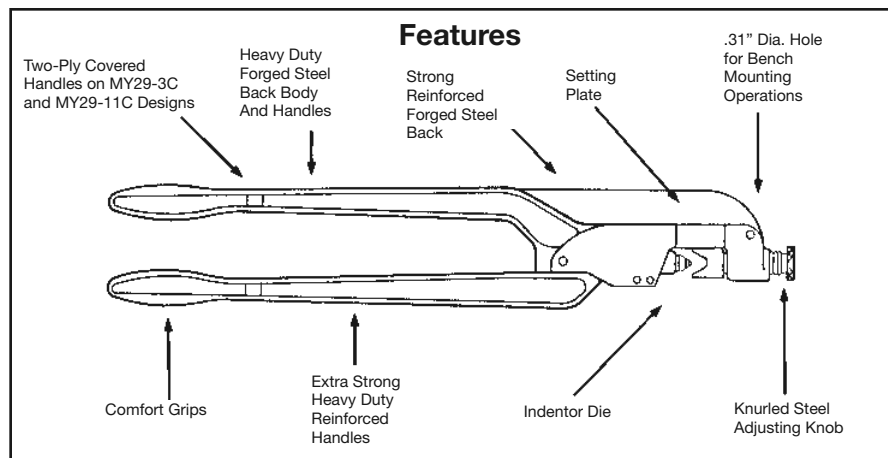
#### ACCESSORIES

**BMY-BCH-MT** Bench Mount Adapter

**MY29 UNIVERSAL KIT** Contents:

1 EA	MY29-11
50 EA	YA8CLBOX
50 EA	YAV6CLTC14FX
50 EA	YAV4CLTC516FX
50 EA	YAV2CLTC516FX
50 EA	YAV1CLTC38FX
10 EA	YAV25LTC38FX
10 EA	YAV26LTC516FX
10 EA	YAV27LTC12FX
10 EA	YAV28LTC12FX
10 EA	YA29LBOX
1 EA	CASE

<b>MY29-3</b>	#8 str.-250 kcmil Copper commercial (code) cable
<b>MY29-3C</b> (covered handles)	30 Navy-250 Navy Copper Navy Cable
<b>MY29-3CF</b> (fully covered)	#8 str.-4/0 str. Aluminum commercial (code) cable
<b>MY29 UNIVERSAL KIT</b>	#8 str.-250 kcmil Copper commercial (code) cable
<b>MY29-11</b>	30 Navy-250 Navy Copper Navy cable
<b>MY29-11C</b> (covered handles)	#8 str.-4/0 str. Flexible copper mine machine cable
<b>MY28</b>	#8 str.-4/0 str. Copper aircraft cable
<b>MY28-4</b>	#8 str.-4/0 str. Aluminum aircraft cable
<b>MY28-6</b> (nylon covered connector)	#8 str.-2/0 str. Copper aircraft cable (flexible)





## OH25

### HYTOOL™

One-Hand Operation,  
Dieless, Full Cycle Ratchet Tool

Installs service entrance splice connectors.  
Conductor range: #10 through 1/0.

The OH25 incorporates a full cycle ratchet and cam mechanism allowing an easy, one-hand crimping operation. The ratchet mechanism provides for properly completed crimps every time before the tool can be removed from the connection. The OH25 is designed to install 5/8" INSULINK™ and LINKIT™ service entrance connectors with only (1) crimp per connector end, speeding installation time. The single crimp covers the complete contact area, eliminating possible overlapping or failure to make the proper number of crimps. 5-year limited warranty.



### BENEFITS

- One crimp speeds installation.
- No dies to lose.
- Long dependable life with forged steel jaws and stainless steel indenter.
- Convenient hole to hang tool.
- Protection of internal parts provides long life.
- Ratchet mechanism provides proper crimp and uniform quality installations.
- Easy one-hand tool operation with spring loaded comfort grip handles.
- Proven reliable with years of dependable service.
- 5-year limited warranty.

### SPECIFICATIONS

**Handle force:** 50 lbs. max.  
**Max force developed:** 6,000 lbs.  
**Weight:** 2 lbs. 11 oz.  
**Length:** 12-1/4"

### ACCESSORIES

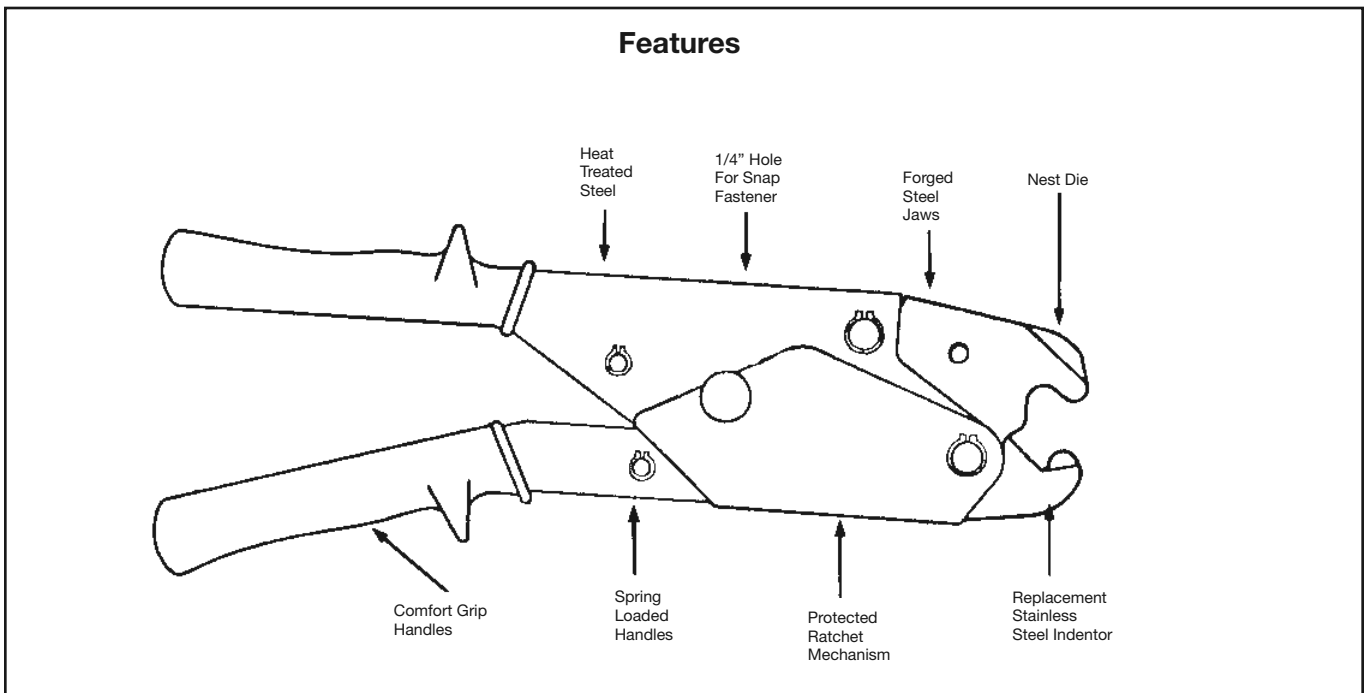
**Leather Holster**  
Cat. No. **PT4583**

**No-Go Gauge**  
Cat. No. **PT8504**

The PT8504 NO-GO Gauge is used to check the OH25 HYTOOL™ crimp dimensions.

### FOR USE ON

- 5/8" Service entrance sleeves
- INSULINK™ Type ES (insulated) #10 through 1/0 str.
- LINKIT™ type YSU (bare) #8 through 1/0 str.
- 5/8" neutral tension sleeves HYSPLICE™ types YS-S YCS-R YDS-AT #4 through 1/0.
- AYP HYPLUG™ #6-1/0 str.



### OUR840

#### 840 POPPER HYTOOL™

One-Handed Operation, Overhead/Underground, Full Cycle Ratchet Tool Installs a Range of Connectors (Taps, Splices, Terminals)

The OUR840 incorporates a full cycle ratchet and cam mechanism allowing an easy, one hand crimping action. Designed for low maintenance operation. The OUR840 has a five (5) year warranty. The ratchet mechanism provides for properly completed crimps every time before the tool can be removed from the connection. With nest and indenter dies, it will install 5/8" INSULINK™ and LINKIT™ service entrance connectors with only one (1) crimp per end. With the use of reduced handle force "X" dies, additional splices, taps, and terminals can be properly installed. The die inserts snap into the permanent groove easily with one hand and lock securely in the tool with the spring loaded positive lock die retainer buttons. Tool operation is simple:

- A. Slip the tool over the connector.
- B. The first few strokes grip the connector.
- C. Stroke until automatic tool release signifies a completed compression.

### INSTALLATION TOOLING

Conductor (Copper)	Connector (Copper)			OUR-840		
	HYLUG™ Terminal	HYLINK™ Splice	Color Code	Die	Die Index	(# Crimps) Std. Long
#8 AWG Str.	YA8C-	YS8C-	Red	X8CRT	49	1 2
#6 AWG Str.	YA6C-	YS6C-	Blue	X5CRT	7	1 2
#5 AWG Str.	YA5C-	YS5C-	Blue	X5CRT	7	1 2
#4 AWG Str.	YA4C-	YS4C-	Gray	X4CRT	8	1 2
#2 AWG Str.	YA2C-	YS2C-	Brown	X2CRT	10	1 2
#1 AWG Str.	YA1C-	YS1C-	Green	X1CRT	11	1 2
1/0 AWG Str.	YA25-	YS25-	Pink	X25RT	12	2 4
2/0 AWG Str.	YA26-	YS26-	Black	X26RT	13	2 4
3/0 AWG Str.	YA27-	YS27-	Orange	X27RT	14	3 6
4/0 AWG Str.	YA28-	YS28-	Purple	X28RT	15	3 6
250 kcmil	YA29-	YS29-	Yellow	X29RT	16	4 8

W/T Dies may be substituted

Conductor (Aluminum)	Connector (Aluminum)			OUR-840		
	HYLUG™ Terminal	HYLINK™ Splice	Color Code	Die	Die Index	No. of Crimps
#8 AWG Str.	YA8CA-	YS8CA-	Blue	X8CART	374	2
#6 AWG Str.	YA6CA-	YS6CA-	Gray	X6CART	346	2
#4 AWG Str.	YA4CA-	YS4CA-	Green	X4CART	375	3
#2 AWG Str.	YA2CA-	YS2CA-	Pink	X2CART	348	4
#1 AWG Str.	YA1CA	YS1CA	Gold	X1CART	471	3
1/0 AWG Str.	YA25A-	YS25A-	Tan	X25ART	296	4
2/0 AWG Str.	YA26A-	YS26A-	Olive	X26ART	297	4
3/0 AWG Str.	YA27A-	YS27A-	Ruby	X27ART	467	4
4/0 AWG Str.	YA28A-	YS28A-	White	X28ART	298	6



### BENEFITS

- Allows proper crimping of sleeves and terminations in crimping underground applications.
- Proper crimps are assured with butting surface inspection and full cycle ratchet mechanism.
- Uses reduced handles force "X" dies.
- One tool for most service applications.
- Improved service through redesign and improvement of many internal parts.
- Easy visual field check for proper tool adjustment with butting surfaces.
- Easier tool operation is provided with mini strokes and anti-slip grips.
- Nest and indenter dies available.
- W-28K cutter die permits use of OUR840 tool as a cable cutter. Conductor range: #4-4/0 ACSR. Aluminum and Copper.
- UL Listed connections when color coded "X" dies are used on BURNDY® connectors.
- 5-year limited warranty.

### SPECIFICATIONS

**Max. Crimp Force:** 8,000 lbs.  
**Max Handle Force:** 8 lbs. approx.  
**Weight:** 2 lbs. 14 oz.  
**Length:** 13"

### FOR USE ON

#### SELECTED APPLICATIONS

Copper connectors from #8 AWG to 250 kcmil  
 Aluminum connectors from #8 AWG to 4/0 AWG

### ACCESSORIES

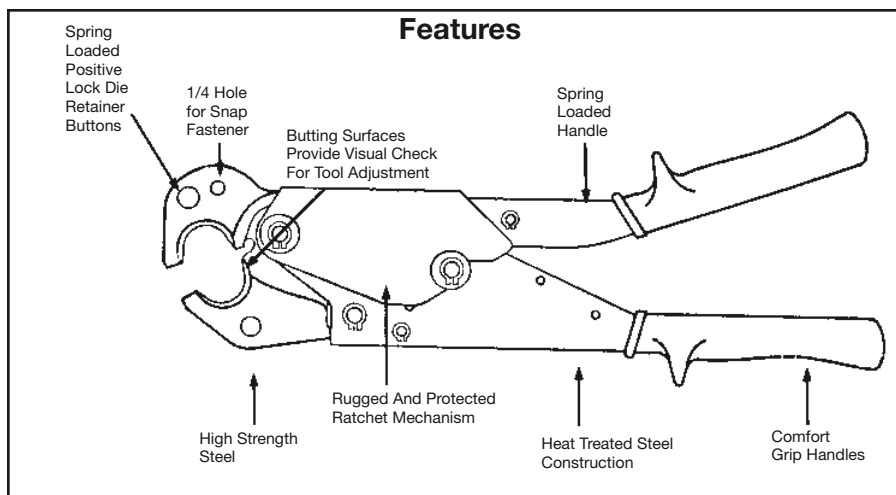
Cat. No. **PT4583** Leather Holster

- Top grain cowhide saddle leather.
- Large grommet. (Order Separately)
- **OUR840-WC** Metal carrying case with die tray.
- Holds one (1) OUR840 and up to eleven (11) "X" dies. Dies not included. (Order Separately) **OUR840 DIES**

X-Dies Catalog Number	Die Index	Recommended "W" Die Crimp Ratio
<b>XNBG</b>	BG	2*
<b>XBG</b>	BG	2
<b>X161</b>	161	3*
<b>X241</b>	241	2
<b>X245</b>	245	2
<b>X247</b>	247	2
<b>X249</b>	249	2
<b>X660</b>	660	2
<b>X840</b>	840	1
<b>XOH25</b>	-	OH 25 Equiv.

\* Overlap crimps

• "W" Dies with a die index listed above are not recommended for the OUR840. Since the standard "W" Dies are wider than the "X" Dies, additional crimps are required depending on the connector and the die index.



**MD6-8**

**HYTOOL™**

**Hand-Operated Tool**

Installs full range of connectors (taps, splices, terminals): #14 through 4/0. Applications: Full Tension and Non-Tension.

The MD6-8 has a five (5) year warranty and is designed to provide over 90,000 reliable crimps installing full-tension and non-tension connectors.

The MD6-8 installs almost all of the line, pole and house connections in the Burndy Compression Connector Program with only one (1) extra die set (W-BG). The tool has two (2) permanent die grooves, “O” and “D<sub>3</sub>” for distribution tap connectors. The “D<sub>3</sub>” groove also serves as a seat for die inserts to install additional splices, taps and terminal connectors. The die inserts snap into the D<sub>3</sub> groove easily with one hand and lock securely in the tool with the spring loaded positive lock die retainer buttons.

The MD6-K accepts KEARNEY™ type “O” dies and BURNDY® “W” and “X” dies with the KWADP adapter.

KEARNEY™ is a registered trademark of COOPER TECHNOLOGIES COMPANY.

**BENEFITS**

- Proper crimps are assured with butting steel jaws.
- No additional dies required for “O” and “D<sub>3</sub>” size tap connectors.
- Increased strength and greater bearing area is provided with larger steel bolts.
- Fast, easy, one-hand die insertion.
- No lost dies with spring loaded positive lock die retainer buttons.
- Easy visual field check for proper tool adjustment with orange alignment guide lines.
- Over 90,000 crimps provided with Teflon impregnated steel backed bronze bushings.
- Full crimp force assured with over center cam action.
- Easy tool adjustment with allen wrench.
- Operator protection provided with butt stops and heat shrink tubing.
- Long life expectancy provided with select clear hickory handles and lightweight high strength aluminum alloy castings.
- Easier tool operation is provided with bent handles and anti-slip grips.
- The “D<sub>3</sub>” groove accommodates the complete line of type “W-” die inserts.
- 5-year limited warranty.



**MD6 Tool Variations**

- MD6** Standard MD6 with permanent “BG” (5/8”) and “D<sub>3</sub>” grooves. Installs CABLELOK CRIMPIT™ and HYCRIMP™ Tap Connectors with one additional die insert (W-O). All other tool features and connector ranges are the same as the MD6-8 described above.
- MD6-4** Standard MD6 with permanent “BG” (5/8”) and “D<sub>3</sub>” grooves and straight fiberglass handles 24” long. Fiberglass rated at 100 kV per foot for 5 minutes.
- MD6-14** Standard MD6 with permanent “BG” (5/8”) and “D<sub>3</sub>” grooves and straight fiberglass handles 19” long including bent aluminum grips. Fiberglass rated at 100 kV per foot for 5 minutes.
- MD6-12** Standard MD6-8 jaws with permanent “O” and “D<sub>3</sub>” grooves and straight fiberglass handles 24” long. Fiberglass rated at 100 kV per foot for 5 minutes.
- MD6-6** “Snub-Nose” variation of MD6 has a permanent “D<sub>3</sub>” groove in jaw. Recommended for use where space for tool jaw is limited.
- MD6-37** Permanent 161, 162, 163, 171 dies in the jaw (J, M&P, T & X).
- MD6-38** Permanent K, BG, C, dies in the jaw.
- MD6-K** “Snub-Nose” permanent KEARNEY™ groove.

**SPECIFICATIONS**

- Crimp Force: 9,000 lbs.
- Length: 25-3/8”
- Weight: 6 lbs.

**Quality Unsurpassed!**

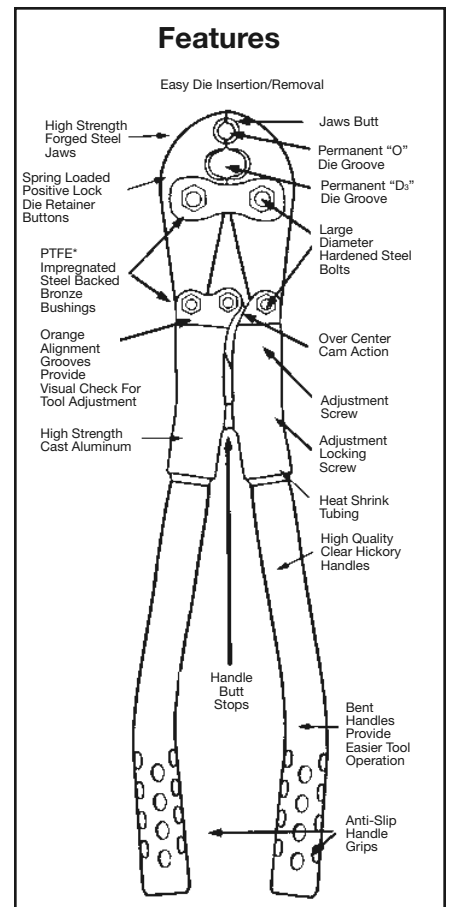
Life cycle tested under full operating forces for over 90,000 cycles successfully without adjustment or any parts replacement.

**FOR USE ON**

- Copper, Aluminum, ACSR, Copperweld, Alumoweld, Steel, 6201, 5005, Compressed and compact conductors.
- Copper Taps: #10 sol.-2/0 str.
- Aluminum, ACSR Taps: #14 sol.-4/0 ACSR
- Stirrups: #6 ACSR-4/0 ACSR
- Overhead Full Tension Deadend, Full Tension Splices, Non Tension Splices, and Terminals Conductor Range: #10 str.-4/0 ACSR.
- Code conductor connectors: #6-4/0 str. Copper and Aluminum

**To Check Tool Adjustment**

Simply close the tool handles until the jaws initially butt. When the orange alignment grooves are in line, the tool is in correct adjustment.



### MD7 POSI-PRESS™

#### HYTOOL™

#### Hand-Operated Tool

The MD7 POSI-PRESS™ HYTOOL™ is a composite polymer handle installation tool that requires no adjustment for the life of the tool. This assures users of the MD7 tool, that all connections installed with the MD7 POSI-PRESS™ HYTOOL™ are consistent and reliable over the life of the tool. This new technology tool provides a visual wear indicator that makes verification of the tool's condition easy to determine. Once the tool has worn beyond its useful life, it can be returned to the BURNDY® Tool Repair Center for refitting at a fraction of the price of a new tool.

Installs full range of connectors, (taps, splices, terminals): #14 Awg through 4/0 AWG.

Applications: Full-Tension and Non-Tension.

The MD7 series of tooling has a five (5) year warranty and is designed to provide over 99,000 reliable crimps installing both full-tension and non-tension connectors.

The MD7-8 POSI-PRESS™ HYTOOL™ installs almost all of the line, pole, and house connections in the BURNDY® Compression Connector Program with only one (1) extra die set (W-BG). The MD7-8 tool has two (2) permanent die grooves, "O" and D<sub>3</sub>" for distribution tap connectors. For other tool versions, see the MD7 Tool Variations sections below. The "D<sub>3</sub>" groove also serves as a seat for die inserts to install splices, taps, and terminal connectors. The die inserts snap into the "D<sub>3</sub>" groove easily with only one hand, and lock securely in the tool with the spring loaded, positive lock, die retainer buttons. Handles have been tested at 100 kV per foot for five (5) minutes.



#### FEATURES

- Ergonomically designed, one-piece, composite polymer handles.
- Comfort grip handles.
- Time-proven steel jaw designs.
- No tool adjustment required.
- 99,000 crimp/cycle life.
- Positive lock, spring loaded die retainer buttons.
- Permanent "D<sub>3</sub>" die groove.
- PTFE impregnated steel/bronze bushings and stainless steel pins.
- Electroless nickel plated jaws and jaw links.

#### BENEFITS

- Easier tool operation due to unique handle design, and anti-slip grips.
- Improves operation by preventing slipping.
- Proper crimps are assured with butting jaws.
- Provides reliable and consistent crimps every time.
- Lasts up to 6 times longer than cheap imitations, and will still be working when others have long since worn out.
- No lost dies and one-hand die insertion.
- Allows use of the complete line of BURNDY® "W" and "X" die inserts.
- Increases life of tool by reducing tool wear.
- 5-year limited warranty.

#### SPECIFICATIONS

- Crimp force:** 9,000 lbs.  
60 lbs. Handle Force
- Length:** 25"
- Width:** 8" (at handle end)  
4-1/2" (at jaw end)
- Weight:** 7 lbs.

#### Unsurpassed Quality that no one else can match!

Life cycle tested under the full range of operating forces for over 99,000 cycles successfully without failure or any parts replacement.

#### FOR USE ON

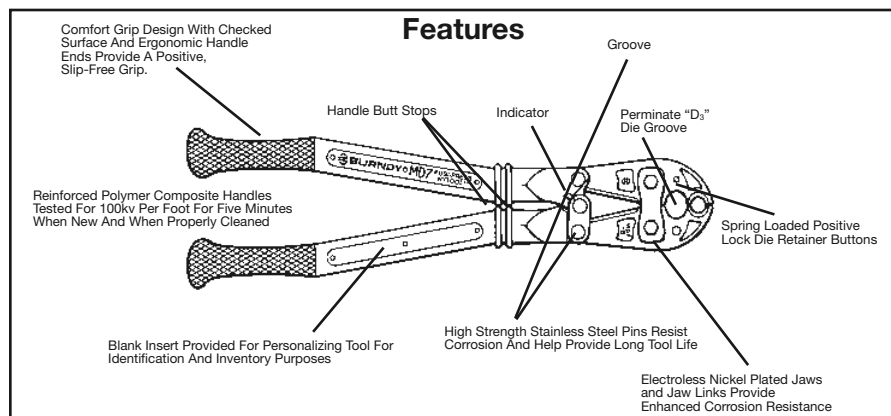
- Copper, Aluminum, ACSR, Copperweld, Alumoweld, Steel, 6201, 5005.  
Compressed and compact conductors
- Copper Taps: #10 sol. - 2/0 str.
- Aluminum, ACSR Taps: #14 sol. - 4/0 ACSR
- Stirrups: #6 ACSR - 4/0 ACSR
- Overhead Full Tension Deadend, Full Tension Splices, Non Tension Splices, and Terminals Conductor Range: #10 str. - 4/0 ACSR
- Code conductor connectors: #6 - 4/0 str. Copper and Aluminum

#### MD7 Tool Variations

**MD7-8** MD7 with permanent "O" and "D<sub>3</sub>" grooves. Installs almost all of the line, pole, and house connections in the BURNDY® Compression Connector Program with only one (1) extra die set (W-BG).

**MD7-6** "Snub-Nose" variation of MD7 has a permanent "D<sub>3</sub>" groove jaw. Accepts the full-line of BURNDY® "W" and "X" die inserts. Recommended for use where space for tool jaw is limited.

**MD7** Standard MD7 with permanent "BG" (5/8") and "D<sub>3</sub>" grooves. Installs Cablelok Crimpit and HYCRIMP™ Tap connectors with one (1) additional die insert (W-O). All other tool features and connector ranges are the same as the MD7-8.



**MD7-34R  
POSI-PRESS™**

**HYTOOL™**

**Hand-Operated Full Cycle  
Ratchet Tool**

The MD7-34R POSI-PRESS™ HYTOOL™ has a full stroke ratchet that assures the user has cycled the tool completely for a consistent crimp every time. The tool handles are manufactured from a new reinforced composite polymer that requires no adjustment for the life of the tool. This new tool design assures users that all connections installed with the MD7-34R are consistent and reliable over the life of the tool. A visual wear indicator provides easy verification of the tool's condition. An emergency ratchet release allows tool removal in case of mistaken die choice or to reposition tool. The MD7-34R crimps color coded lugs and splices for #8-500 kcmil class B code conductor and #8-350 kcmil Cu Flex conductor. It will also crimp thin wall C-Taps from #12 - 3/0 AWG class B code conductor. The color coded W-VT dies snap into the jaw grooves easily with only one hand and lock securely into the tool with the spring loaded, positive lock, die retainer buttons. The die index number is engraved in the crimping groove to emboss the finished connection. This makes inspection and verification of proper installation an easy process. Due to the one piece handle design, if the tool ever wears beyond its useful life, it can be returned to the BURNDY® Tool Repair Center for refitting at a fraction of the price of a new tool. A rubber covered version, the **MD7-34R-C**, is available.



**FEATURES**

- Full Stroke Ratchet Mechanism.
- Ergonomically designed, one piece, composite polymer handles.
- Comfort grip handles.
- Time-proven forged steel jaw designs.
- No tool adjustment required.
- Positive lock, spring loaded die retainer buttons.
- PTFE impregnated steel/bronze bushings and stainless steel pins.
- Color Coded Dies.
- Die index embossed on finished connection.

**SPECIFICATIONS**

- Crimp force:** 9,000 lbs.
- Length:** 26"
- Width:** 8" at handles 4-1/2" at jaws
- Jaw Covering:** EPDM Rubber (MD7-34RC).
- Handle Material:** Reinforced composite polymer
- Warranty:** 5 years

**MD7-34 Tool Variations**

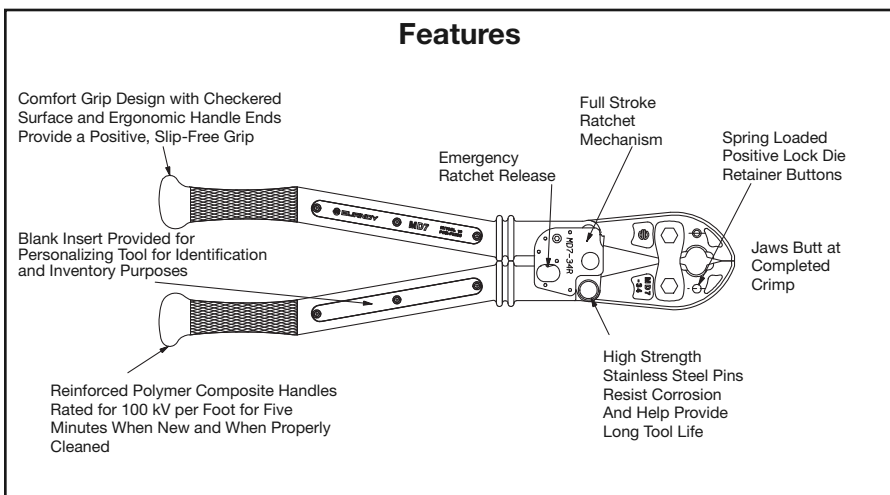
- MD7-34R** — #8-500 Cu HYDENT™, Full Stroke Ratchet
- MD7-34R-KIT1** — MD7-34R, metal carrying case and all dies for #8-500 kcmil Cu HYDENT™ and C-Taps
- MD7-34** — Supplied without the ratchet mechanism
- MD7-34-KIT1** — MD7-34, metal carrying case, and all dies for #8-500 kcmil Cu HYDENT™ and C-Taps for #12 - 3/0 AWG.

**FOR USE ON**

- Copper Lugs and Splices #8-500 kcmil. Types YA, YA-L, YA-L-TC, YA-L-NT, YS-L, YS, YST, YA-TC
- Copper Lugs and Splices #8-350 kcmil Flex. Types YAV-L-TC-FX, YA-LB, YA-TC-FXB, YSV-L, YAV-L-NT-FX, YAV-L-FX, YAV-FXB
- Copper Battery Lugs #8-350 kcmil Flex. Types YAG-TC-LD
- Thin wall C-taps #12 - 3/0 AWG. Types YC-L

**BENEFITS**

- Easier tool operation due to unique handle design, and anti-slip grips.
- Grips and handle knobs improve operation by preventing slipping.
- Butting jaws assure proper crimps.
- Wear indicator allows instant inspection of calibration.
- Full cycle ratchet assures complete consistent crimp.
- High grade hardware increases tool life and durability.
- Allows use of complete line of BURNDY® W-VT, W-RT and X-RT series dies.
- Color Coded dies simplify selection of correct connector and die combinations.
- Die index embossment on crimp provides easy inspection and quality assurance.
- 99,000 crimps without needing adjustment.
- 5-year limited warranty.



### MD6R

#### HYTOOL™

#### Full-Cycle Ratchet Tool

Installs full range of connectors (Taps, Splices, Terminals): #6 through 4/0 AWG.

Applications: Overhead and underground — full-tension and non-tension. Use MD6-6R2 for code cable terminals and splices through 500 kcmil copper.

The MD6R full-cycle ratchet tool installs all the same connectors using the same “W”-type dies that the MD6 tool installs plus the addition of code cable connectors through 500 kcmil copper.

A maximum handle force of 40 lbs. plus short handle opening and angled head combine to provide an ideal tool for difficult overhead and tight underground applications. 5-year limited warranty.



#### BENEFITS

- Precise crimping everytime is provided with the ratchet mechanism and automatic release only after five (5) handle strokes.
- Easy tool operation is provided with 40 lbs. maximum handle force reducing possible back strain.
- Convenient operator usage for difficult to reach overhead and tight underground trench applications is provided with the angled head, short handle stroke and minimal handle force requirements.
- Easy handling and insertion is provided with spring loaded handles.
- The D<sub>3</sub> groove accommodates the complete line of “W” die inserts.
- 5-year limited warranty

#### MD6R Variations:

Cat. No.	Permanent Die Grooves
<b>MD6R</b>	BG (5/8”) and D <sub>3</sub>
<b>MD6-6R</b>	D <sub>3</sub> Snub-Nose
<b>MD6-6R-2</b>	D <sub>3</sub> Modified for copper color coded dies #8 through 500 kcmil.
<b>MD6-8R</b>	O and D <sub>3</sub>

#### Accessories:

Cat. No. **PT4925**

The PT4925 is a heavy-duty canvas carrying bag for the storage and protection of the MD6-R tools. Pockets for dies are included.

Cat. No. **PT17188**

#### ABS Cover Kit

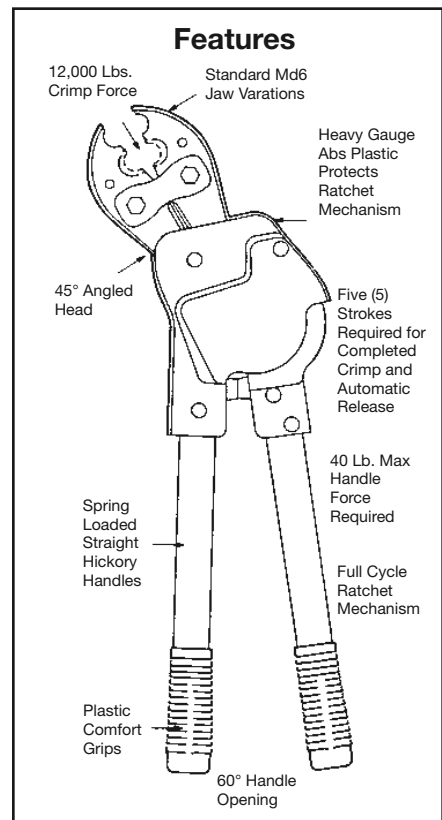
The PT17188 is the heavy-duty ABS plastic cover kit including (3) piece ABS cover, label and hardware.

#### SPECIFICATIONS

- Output force:** 12,000 lbs.
- Handle input force:** 40 lbs.
- Number of strokes:** 5
- Weight:** 10 lbs.
- Length:** 24”

#### FOR USE ON

- Copper, Aluminum, ACSR, Copperweld, Alumoweld, Steel, 6201, 5005, Compressed and compact conductors.
- Copper Taps: #10 sol. - 2/0 str.
- Aluminum, ACSR Taps: #14 sol.- 4/0 ACSR.
- Stirrups: #6 ACSR- 4/0 ACSR.
- Overhead Full Tension Deadends, Full Tension Splices, Non Tension Splices, and Terminals Conductor Range: #10 str. - 4/0 ACSR.
- Code conductor connectors: #6 - 500 kcmil. Copper.



## MD6 HOTSTICK TOOLS

The MD6 Type Hotstick tools incorporate either a pantograph toggle action handle or straight handles. They use standard MD6 Type jaws so that they will do everything the standard MD6 will do only they can be used for energized installations. The fiberglass handles are rated at 100 kV/ft for 5 minutes. 5-year limited warranty.



### SPECIFICATIONS

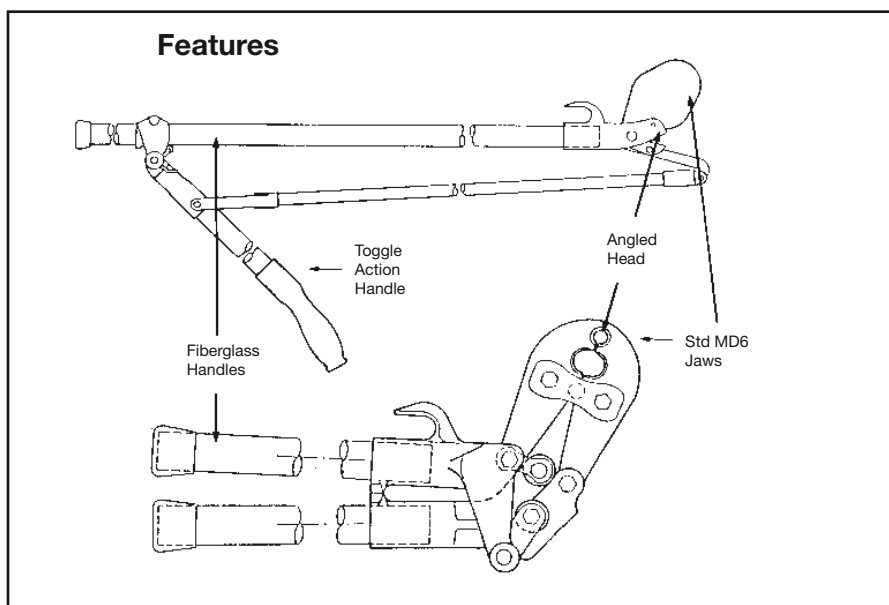
Cat. No.	Handle Length	Weight/Lbs.
<b>MD6HS60</b>	60"	15.5
<b>MD6HS72</b>	72"	16.5
<b>MD6-6HS60</b>	60"	15.5
<b>MD6-6HS72</b>	72"	16.5
<b>MD6-8HS60</b>	60"	15.5
<b>MD6-8HS72</b>	72"	16.5
<b>MD6-AH48</b>	48"	13.75
<b>MD6-8AH48</b>	48"	13.75

### FOR USE ON

- Copper, Aluminum, ACSR, Copperweld, Alumoweld, Steel, 6201, 5005. Compressed and compact conductors.
- Copper Taps: #10 sol. - 2/0 str.
- Aluminum, ACSR Taps: #14 sol. - 4/0 ACSR.
- Stirrups: #6 ACSR - 4/0 ACSR.
- Overhead Full Tension Deadends, Full Tension Splices, Non Tension Splices, and Terminals Conductor Range: #10 str. - 4/0 ACSR.
- Code conductor connectors: #6 - 4/0 str. Copper and Aluminum.

### BENEFITS

- The MD6-HS type Hot-Line Tool incorporates a pantograph, toggle-action design to install connectors with the same handle force as the standard MD6-type tooling.
- All fiberglass handles rated at 100 kV per foot for five minutes.
- Angled head and lightweight makes connector installation easier.
- Supplied with MD6, MD6-6, and MD6-8 jaw variations.
- The MD6-AH type Hot-Line Tool incorporates an angled head to make hard to reach hot-line connections easier.
- Straight 48" fiberglass handles rated at 100 kV per foot for five minutes.
- Supplied in MD6, MD6-6 and MD6-8 jaw variations.
- 5-year limited warranty.





### MD6/MD7

#### TOOLING ACCESSORIES

#### Dies for Special Applications

(See present installation tool index in reference section for complete W-Die listing.)

##### W-BG

The W-BG die is a double groove die set requiring only one (1) crimp per end on service entrance sleeves and only 1/2 the number of crimps on other 5/8" sleeves.

##### W-28K

The W-28K cutter die permits use of MD6/MD7 type tools as a cable cutter. Conductor range: 4 - 4/0 ACSR, Aluminum or Copper.

#### Protective Jaw Covers



##### Cat. No. MD6-CP1

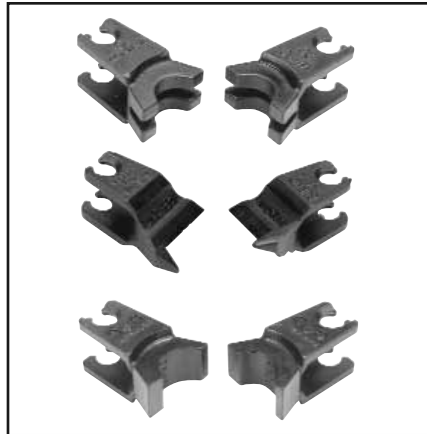
The laminated vinyl covers, are provided for the MD6/MD7 HYTOOL™ to avoid damage. Compact in size, the covers snap easily into place over the jaw edges without obstructing vision.

The MD6-CP1 fits all MD6/MD7 tool variations except the Snub-Nose MD6-6/MD7-6 type design. Supplied as a set.



##### Cat. No. PT6744

The semi-rigid Neoprene cover, a non-conductive material, is provided for the MD6-6 "Snub-Nose" HYTOOL™ to avoid damage. Fits all MD6-6 Snub-Nose variations.



#### Non-Bowing Dies

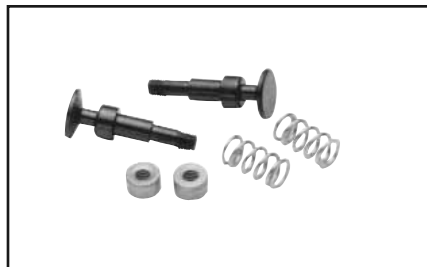
##### Cat. Nos. W-687 and W-702

The Non-Bowing die sets install one-piece, full-tension UNISPLICE™ sleeves on ACSR conductors without bowing.

UNISPLICE™ ONE-PIECE SLEEVES:

**W-687** Installs: #4 ACSR 6/1, 7/1-YDS4RL and YDS4RLY  
#2 ACSR 6/1-YDS2RL and YDS2RLY

**W-702** Installs: #2 ACSR 7/1-YDSO21RL and YDSO21RLY  
1/0 ACSR-YDS25RL and YDS25RLY



##### PT4931-1

#### Die Button Repair Kit



##### Cat. No. PT4925

#### Canvas Bag

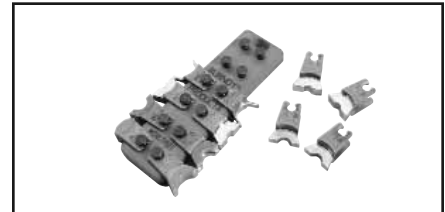
The PT4925 is a sturdy canvas bag for protecting the MD6/MD7 tools with or without rubber covers plus up to (9) die sets. Dies purchased separately.



##### Cat. No. CASEWDIES

#### Compact Die Case

Compact die case for (12) "W" or "X" die sets. Dies purchased separately.



##### Cat. No. WDIETREE

#### W Die Holder

This innovative W-Die Holder replaces the standard metal carrying case designed for BURNDY® W-Dies. Its straight forward design allows for easy insertion of the W-Dies onto the holder, providing greater flexibility and secure storage.



##### Cat. No. PT4952-1

#### Steel Carrying Case

The PT4952-1 steel carrying case provides storage and protection for the MD6 tools with or without rubber covers plus up to (18) die sets. Tool and die sets not included. Fits MD6, MD6-6, MD6-8, MD6-14, MD6-37, MD6-38, MD7 and MD7-6.



##### Cat. No. PT6733

#### Hot-Line Tool Carrying Bag

The PT6733 is a heavy-duty, adjustable canvas bag for the storage and protection of Hot-Line Tools. The bag accommodates 48", 60" and 72" variations of the MD6 and Y35 Hot-Line Tools.

## RK147-2

### Construction/Maintenance Wire Stripper

This lightweight stripper features precision ground blades that give a precise and rapid strip for small wire applications. The RK147-2 is an adjustable stripper cutter with a simple cam screw adjustment for multi-varied wire sizes and insulation thickness up to #12 AWG solid or stranded wire. Part of the BURNDY® convenience package program, shipped on merchandising rack cards.



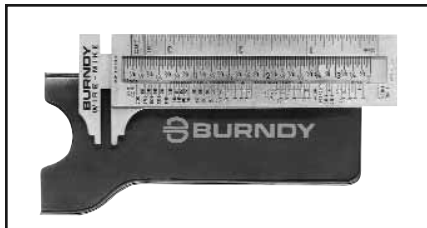
### RK147-2

**Wire Stripping Range:** No minimum,  
up to #12 AWG  
**Overall Length:** 5.31"  
**Weight:** .18 lbs.

## WIREMIKE

### RK194-2

The wire mike is a useful instrument designed for measuring ACSR, stranded and solid conductors, I.P.S. tubing, rigid and thinwall conduit, plus inside and outside dimensions of tubing and pipe sizes. A ruler is also included.



### FOR USE ON:

- ACSR: #6 - 336.4 (26/7) str.
- Stranded: #18 str. - 2,000 kcmil
- Solid: #20 sol. - 4/0 sol.
- IPS Tubing (Cu/Al) &  
Rigid conduit: 1/4" - 2-1/2"
- Tubing sizes: 3-11/8" inside max.  
2-15/16" outside max.
- Thinwall conduit: 3/8" - 2-1/2"

### BENEFITS:

- Provides quick and easy identification of commonly used conductors (ACSR, stranded and solid AWG).
- Provides quick and easy identification of IPS tubing and rigid conduit.
- Provides quick and easy identification of thinwall conduit.
- Measures I.D. and O.D. of tubing.
- Provides easy conversion of information.
- Strong, durable, long lasting, high quality stainless steel wire mike.
- Convenient size makes it easy to carry.
- Available with your company name and logo. Customer must supply camera ready artwork. Contact BURNDY® for details. Minimum order required.

## Y46OEM12T

### 12-Ton HYPRESS™

The BURNDY® Y46OEM12T is designed specifically for OEM applications. With a variety of bench mounted features, this crimping tool is easy to use and provides the operator a better view of the work going into and out of the crimping tool. The Y46OEM12T is designed to provide 12 tons of crimp force when operated at 8,800 PSI. Using a hydraulic pump set at an output pressure of 8,800 PSI will ensure the 12 tons of output force and will provide maximum life for the tool.

The Y46OEM12T tool uses standard BURNDY® “U” style color coded dies to crimp corresponding color coded lugs for #6 AWG through 750 kcmil Copper (code, flex, extra-flex) and Aluminum conductors. The color coded U-Die slides into the PUADP-1 adapter (supplied with the tool) easily with one hand and securely locks into position by way of a spring-loaded, positive-lock, die-retention button. When the Y46OEM12T tool is used in combination with the recommended BURNDY® U-die and connector, the die index number is embossed into the connector and provides for a UL Listed and CSA Certified connection. This ability to inspect the connection is a feature built into the BURNDY® Engineered System.

The picture shown is a Y46OEM12T outfitted with additional accessories (sold separately). The Y46OEMGUARD accessory is a clear safety shield to help protect the operator from moving parts. The Y46OEMLOCATOR accessory is an adjustable connector stop that allows for consistent crimp alignment. As an added feature, the Y46OEMLOCATOR can be mounted on either side of the tool based on



the operator's preference. The 12TONP1 accessory is a stroke limiter that allows operators to save time when crimping as it restricts the ram from returning all the way after each crimp. This makes repetitive crimping faster.

### Features and Benefits

- Crimp head is mounted at a 45-degree angle to provide visibility to the work area
- Accepts BURNDY® “U” dies for both Copper and Aluminum
- BURNDY® tool, die and connectors are part of the BURNDY® Engineered System allowing for visual inspectability with each crimp - look for the BURNDY® BUG “E”
- Safety, strength and high quality design is assured with this forged steel tool and precision machined components
- Operating tool at 8,800 PSI input pressure increases life of tool and decreases wear
- Accessories available to make crimping safer and faster
- Quality assurance is provided with an audible “pop-off” valve indicating crimp completion

### SPECIFICATIONS

<b>Operating Pressure:</b>	8,800 PSI
<b>Force Developed:</b>	12 Tons
<b>Weight:</b>	34.5 lbs
<b>Length:</b>	14.00"
<b>Width:</b>	10.00"
<b>Height:</b>	12.25"

### FOR USE ON

Connector Type	Conductor Range
Copper #6 AWG Str. (16 mm <sup>2</sup> ) - 750 kcmil (375 mm <sup>2</sup> ) Code Cable Navy Cables	Terminals—Uninsulated #6 to 750 kcmil: YA, YA-2N, YA-L, YA-LB, YA-TC, YA-2LN, YAB-4N, YAV-L Box, YAV-RS Box, YAV-RS, YA-TC-FX
Flexible and Extra Flexible	Terminals—Insulated #8 to 2/0: YAEV-L Box, YAEV-L, YAEV-H, YAEV-RS, YAEV-RH
Aluminum #6 - 750 kcmil (16 mm <sup>2</sup> - 375 mm <sup>2</sup> ) Code Cables	Terminals YA-A, AYP, AYPO

### ACCESSORIES

#### Cat. No.:

#### Y8AC9

5/8 HP Electric Hydraulic Pump 8800 PSI

#### PT2990010

10 foot long hydraulic hose

#### YACFC

Foot Switch for Y8AC9 Pump

#### Y46OEMGUARD

Clear safety shield

#### Y46OEMLOCATOR

Adjustable connector locator

#### 12TONP1

Factory installed stroke limiter

#### Y46OEM12TKIT

Kit complete with Y46OEM12T tool, Y8AC9 pump and PT2990010 hose.

#### Y46OEM12TKITFC

Kit comes complete with Y46OEM12TKIT and a YACFC foot switch.

#### Y46OEM12TKIT1

Kit comes complete with Y46OEM12TKIT, Y46OEMGUARD, Y46OEMLOCATOR and 12TONP1.

#### Y46OEM12TKIT1FC

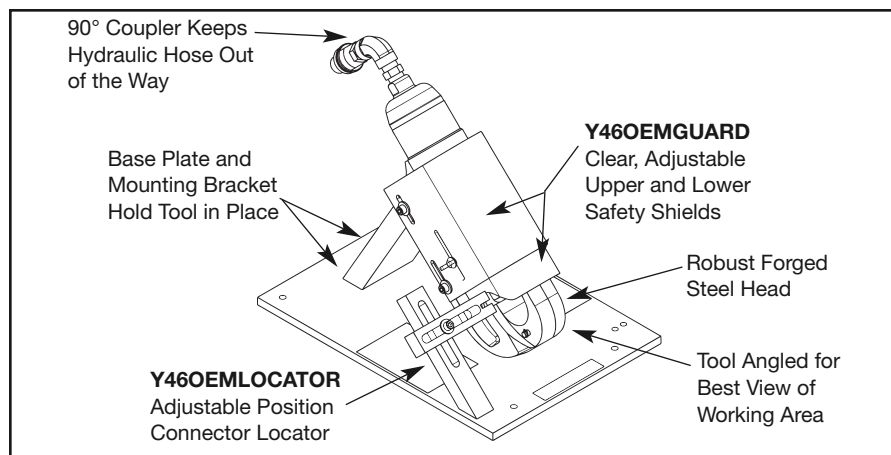
Kit comes complete with Y46OEM12TKIT1 and YACFC foot switch.

#### UDIEKITCU

“U” Die Kit comes complete with 15 “U” Die Sets for crimping #6 AWG through 750 kcmil Copper. All 15 “U” Dies are provided in one metal storage case.

#### UDIEKITAL

“U” Die Kit comes complete with 15 “U” Die Sets for crimping #6 AWG through 750 kcmil Aluminum. All 15 “U” Dies are provided in one metal storage case.



# Y46OEM11T

## 11-Ton HYPRESS™

### Remote Operated Hydraulic Tool

The Y46OEM11T has been designed specifically for OEM applications by combining our robust Y46 HYPRESS™ tool and our “1” Crimp technology with a dedicated P644 die set. The “1” Crimp technology of the range taking nest and indenter style P644 die set provides labor savings as well as inventory reductions of connectors. Only one crimp is required for each wire termination for both long and standard barrel BURNDY® HYLUG™ and HYLINK™ connectors\*\*. The Y46OEM11T has been engineered to be user friendly by mounting it on a base plate at an angle to ensure ease of getting connectors in and out of the tool as well as giving the user the best view of the crimping process.

The Y46OEM11T is designed to operate at 11 tons of crimp force. Hydraulic pump must be set to 7,300 PSI to ensure correct operating force of 11 tons for this tool. This tool provides range taking capabilities as shown in the chart below. The following size HYDENT™ lugs and splices will produce a UL Listed connection when using this BURNDY® Engineered System.

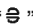
Aluminum Connectors		Copper Connectors	
Standard Wire Size	Expanded Wire Range	Standard Wire Size	Expanded Wire Range
#6 AWG	#6 AWG	#6 AWG	#6 AWG
#5 AWG	#5-#6 AWG	#5 AWG	#5-#6 AWG
#4 AWG	#4-#6 AWG	#4 AWG	#4-#6 AWG
#3 AWG	#3-#6 AWG	#3 AWG	#3-#6 AWG
#2 AWG	#2-#6 AWG	#2 AWG	#2-#6 AWG
#1 AWG	#1-#2 AWG	#1 AWG	#1-#6 AWG
1/0 AWG	1/0-#1 AWG	1/0 AWG	1/0-#6 AWG
2/0 AWG	2/0-#1 AWG	2/0 AWG	2/0-#4 AWG
3/0 AWG	3/0-#1 AWG	3/0 AWG	3/0-#2 AWG
4/0 AWG	4/0-#1 AWG	4/0 AWG	4/0-#1 AWG
250 kcmil	250-1/0 AWG	250 kcmil	250-1/0
300 kcmil	300-2/0 AWG	300 kcmil	300-2/0
350 kcmil	350-3/0 AWG	350 kcmil	350-3/0
*400 kcmil	400-4/0 AWG	400 kcmil	400-4/0
*500 kcmil	500-4/0 AWG	500 kcmil	500-4/0
		*600 kcmil	600-250
		*750 kcmil	750-500

\*HYLUG™ terminals only

\*\*Larger size E-Line connectors may require more than one crimp.



### Features and Benefits

- Provides same crimp profile as Y644.
  - ◊ Provides a UL Listed connection when used with BURNDY® HYDENT™
- “1” Crimp technology
  - ◊ Faster installations due to less crimps required
- Safety, strength and high quality
  - ◊ Tool is made from strong forged steel and precision machined components
- Die set designed as part of a system
  - ◊ The Burndy Engineered System allows for visual inspectability with each crimp. Look for the BURNDY® BUG “”
- P644 die set is affixed to tool
  - ◊ No need to change dies as this range taking nest and indenter die covers #6 AWG through 750 kcmil – see chart attached

**Not to be used with 10,000 PSI operating pressure. Ensure only 7,300 PSI is used for this 11-ton output force tool.**

### SPECIFICATIONS

- Operating Pressure: 7,300 PSI
- Force Developed: 11 Tons
- Weight: 34.5 lbs
- Length: 14.00"
- Width: 10.00"
- Height: 12.25"

### FOR USE ON

AWG/kcmil Wire Size Range	Connector Type	
Copper #6 - 750 kcmil	Terminals YA-L, YA-2LN, YA, YA-2N, YA-L-2TC, YAB-4N, YA-L-TC, YA-2L, YA-4N	
	Splices YS-L, YS-T, YS	
	Aluminum #6 - 500 kcmil	Terminals YA-A, YA-A-TN
	Aluminum #6 - 350 kcmil	Splices YS-A
Aluminum #6 - 500 kcmil	HYPLUG™ AYP, AYPO	

### ACCESSORIES

#### Cat. No.:

#### Y7AC9

Electric hydraulic pump with factory set output pressure of 7,300 PSI

#### PT29900-10

Ten foot hydraulic hose

#### Y46OEMGUARD

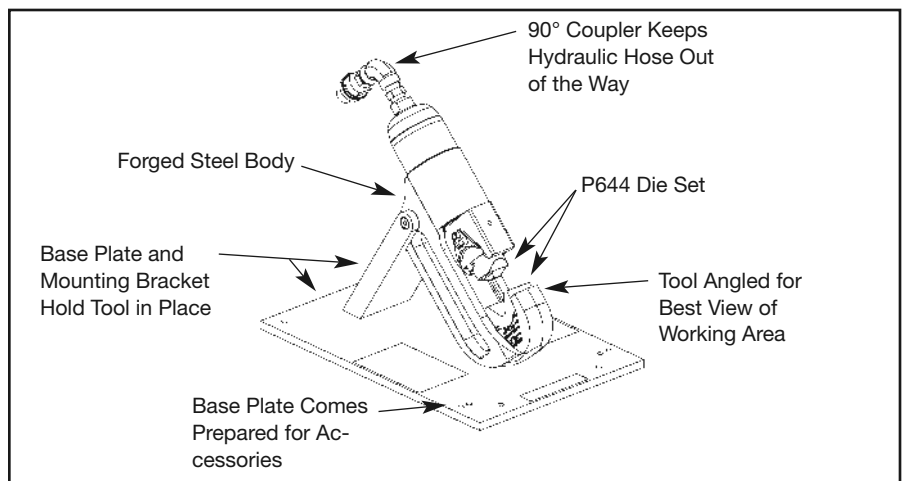
A clear guard to mount over crimping area

#### Y46OEMLOCATOR

This crimp locator guide allows user to set up and make crimping the same size terminal easier and faster.

#### Y46OEM11TKIT

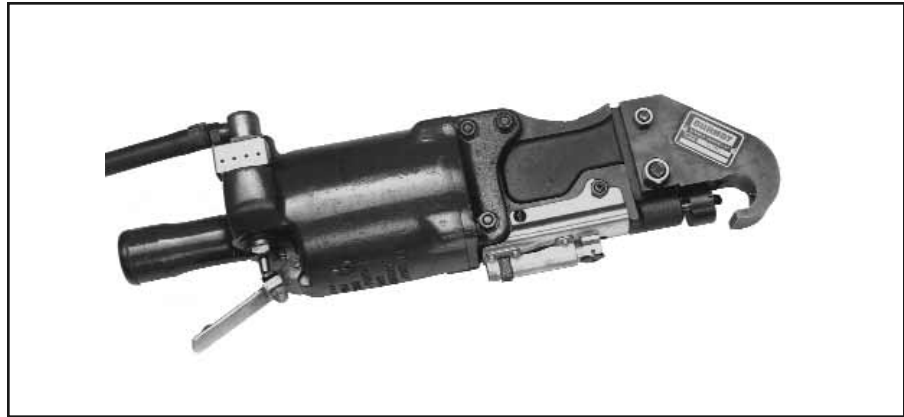
This kit comes complete with the Y46OEM11T, Y7AC9, and PT29900-10



### Y29NC

#### Pneumatic HYPRESS™

The Y29NC Pneumatic HYPRESS™ operates on 85 - 100 PSI and will install insulated and uninsulated terminals from #8 - 2/0 copper. Uses DV type nest with Y29 type indenter.



#### BENEFITS

- Portable or bench mounted.
- Adjustable blow off valve to ensure proper indenting force.
- Uses DV type nest with Y29 type indenter.
- Hand operated.
- 5-year limited warranty.

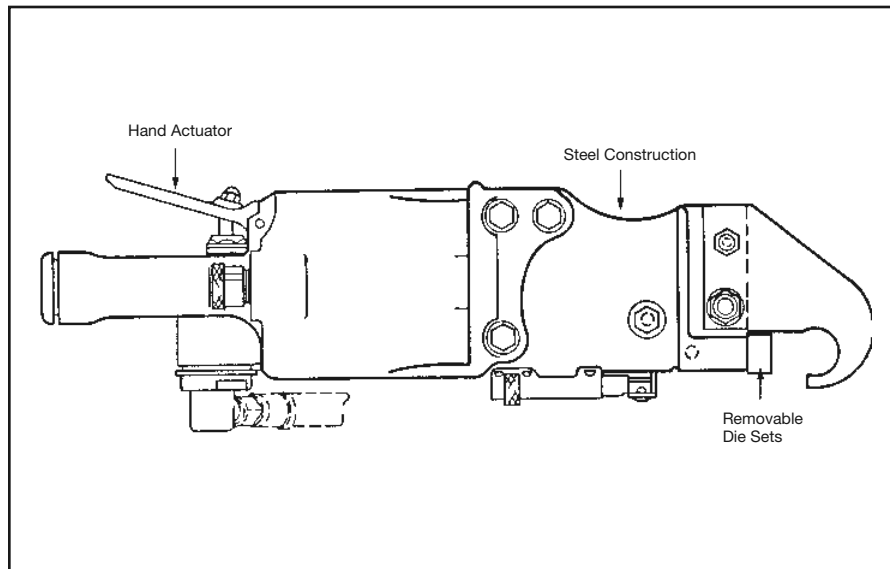
#### SPECIFICATIONS

**Weight:** 12-1/2 lbs.  
**Length:** 17-1/2"  
**Air line pressure:** 85 - 100 PSI

#### FOR USE ON

Wire Range: #8 – 2/0 Cu  
 YAEV-L, YAEV-H, YAEV-RS, YAEV-RH,  
 YAV-L, YAV-R  
 YAV-RS, YSV-L, YSM

<b>Die Index</b>	<b>Nest/Indenter</b>
38/631	DV8L/Y29PL
6/631	DV8L/Y29PL
39/632	DV6LY29PL
7	D6CL/Y29PL
40/633	DV4L/Y29PL
9	D3CL/Y29PR
41/634	DV2CL/Y29PL
42	DV1L/Y29PR
43	DV25L/Y29PR
13	D26L/Y29PR
44	DV26L/Y29PR
49	DV8L/Y29PL



**TFM**

**Tape Fed Machine**

For Automatic Installation of Tape Mounted Terminals

The BURNDY® TFM machine installs vinyl insulated, nylon insulated and uninsulated terminal sizes #26 - #10 without time-consuming die changes. A rotating turret die holder consists of three die sets. With the new TFM, your operators can crimp from 1,500 to 2,500 terminals per hour.

BURNDY® has made a breakthrough in die changing—the TFM is the first and only turret die holder to crimp terminals automatically. No long complicated setups or paying for duplicate machines: Once the dies are secure to the die holder there's never a need to remove them. No adjustments. No calibrations. Just a simple twist of the wrist. An operator can change reels, terminals and dies in seconds flat.



**SPECIFICATIONS**

- Height: 16"
- Width: 13"
- Depth: 6"
- Weight: 35 lbs.

**FOR USE ON**

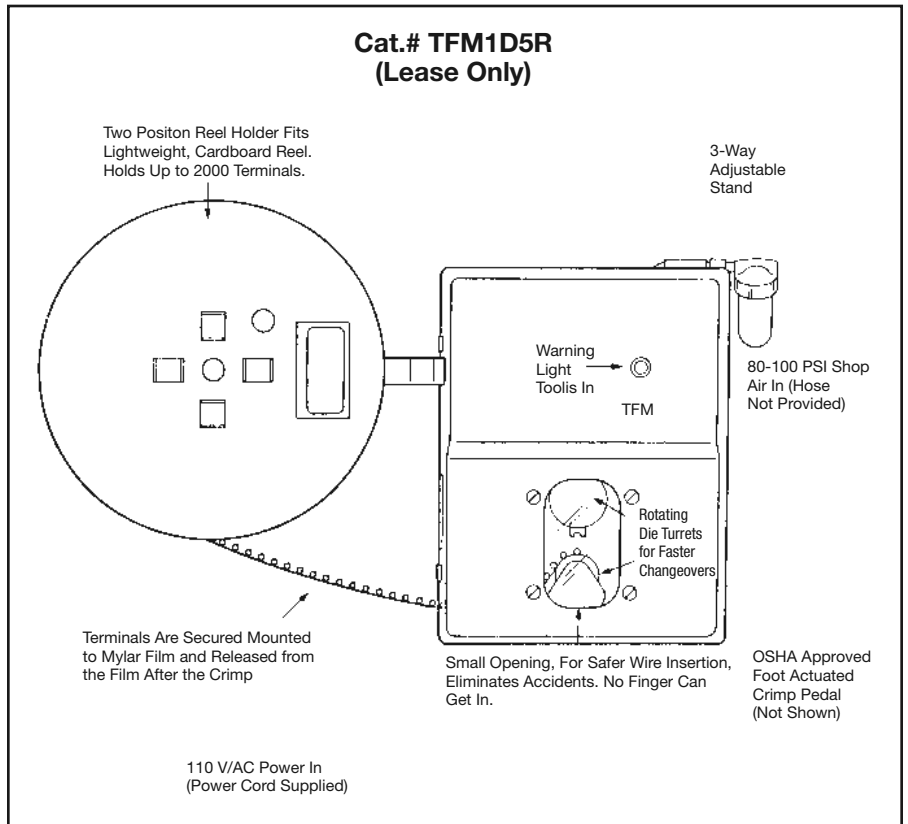
- #26 - #10 AWG Cu
- Vinyl Insulated Terminals:**  
BA-EF-M, BA-EL-M, BA-EM, BA-EZ-M
- Nylon Insulated Terminals:**  
YAE-M, YAE-FM, YAE-ZM
- Non-Insulated Terminals:**  
YAD-M, YAD-FM
- Vinyl Insulated Disconnects:**  
PQ-M

**FEATURES**

- Positive wire locator.
- Foot-actuated crimp.
- Lightweight Reel.
- Quiet operation.
- Lease policy.
- Can crimp up to 1,500 to 2,500 terminals per hour.
- An operator can change reels, terminals and dies in 30 seconds.
- Rotating turret die holder permits terminal change over in seconds.

**BENEFITS**

- Ensures proper wire termination.
- Minimizes repetitive hand motion injuries.
- Smooth rotation advance of connectors.
- Eliminates need for earplugs/noise dampeners.
- Inexpensive alternative to buying.
- High volume production capability.
- Minimizes production downtime.



**TFM INSTALLATION TOOLING CHART**

Tape Mounted Catalog Number 2000/Reel	Installation Tooling
BA16E4M	TFM with DFM3-1 Die
BA16E6M	
BA16E8M	
BA16E10M	
BA16E14M	
BA16E38M	TFM with DFM2-1 Die
BA14E4M	
BA14E6M	
BA14E8M	
BA14E10M	
BA14E14M	
BA14E516M	
*BA10E6M	TFM with DFM1D5 Die
*BA10E8M	
*BA10E10M	
*BA10E14M	
*BA10E38M	

BA16EF2M	TFM with DFM3-1 Die
BA16EF6M	
BA16EF8M	
BA16EF10M	
BA14EF8M	TFM with DFM2-1 Die
BA14EF10M	
*BA10EF6M	TFM with DFM1D5 Die
*BA10EF8M	
*BA10EF10M	

BA16EL6M	TFM with DFM20D1 (20-22 AWG) DFM3-1 (16-10 AWG)
BA16EL8M	
BA16EL10M	
BA14EL6M	TFM with DFM2-1 DIE
BA14EL8M	
BA14EL10M	
*BA10EL6M	TFM with DFM1D5 Die
*BA10EL8M	
*BA10EL10M	

\* 1000 per Reel

Tape Mounted Catalog Number 2000/Reel	Installation Tooling
YAD18-4M	TFM with DFM6-1 Die
YAD18-6M	
YAD18-8M	
YAD18-10M	
YAD18-14M	
YAD14-4M	TFM with DFM5D1 Die
YAD14-6M	
YAD14-8M	
YAD14-10M	
YAD14-14M	
YAD14-38M	
*YAD10-8M	TFM with DFM4D1 Die
*TAD10-14M	
*YAD10-516M	
*YAD10-38M	

YAE22N65FM	TFM with DFM11D1 Die
YAE22N66FM	
YAE18G43FM	TFM with DFM10D1 Die
YAE18N56FM	
YAE18N57FM	
YAE14N76FM	TFM with DFM9D1 Die
YAE14N77FM	
YAE14N78FM	

\* 1000 per Reel

Tape Mounted Catalog Number 2000/Reel	Installation Tooling	
YAE22G18M	TFM with DFM11D1 Die	
YAE22G16M		
YAE22G13M		
YAE18N29M	TFM with DFM10D1 Die	
YAE18N27M		
YAE18-N7M		
YAE18N26M		
YAE18N21M		
YAE18N25M		
YAE18G43M		
YAE-18N24M		
YAE18N1M		
YAE18NM		
YAE18N2M		
YAE18N3M		
YAE14N43M		TFM with DFM9D1 Die
YAE14N1M		
YAE14NM		
YAE14N2M		
YAE14N3M	TFM with DFM7D1 Die	
YAE14N4M		
YAE12N9M		
YAE12N1M		
YAE12NM		
YAE12N2M		
YAE12N3M		
*YAE10N5M		
*YAE10N11M		
*YAE10NM		
*YAE10N3M		
*YAE10N2M		
*YAE10N4M		

\* 1000 per Reel

Tape Mounted Catalog Number 2000/Reel	Installation Tooling
YAE22Z1M	TFM with DFM11D1 Die
YAE22Z2M	
YAE22Z3M	
YAE18Z1M	TFM with DFM10D1 Die
YAE18Z3M	
YAE18Z4M	
YAE14Z3M	TFM with DFM9D1 Die
YAE14Z4M	
YAE12Z2M	TFM with DFM7D1 Die
YAE12Z3M	

BA16EZ2M	TFM with DFM3-1 Die
BA16EZ6M	
BA16EZ10M	
BA14EZ6M	TFM with DFM2-1 Die
BA14EZ8M	
BA14EZ10M	
*BA10EZ8M	TFM with DFM1D5 Die

PQ18R257M	TFM with DFM13D1 Die
PQ18R258M	
PQ14R257M	TFM with DFM12D1 Die
PQ14R258M	
PQ10R258M	TFM with DFM16D1 Die

PQ18R256M	TFM with DFM15D1 Die
PQ14R256M	TFM with DFM14D1 Die

PQ18R187M	TFM with DFM13D1 Die
PQ18R188M	
PQ14R187M	TFM with DFM12D1 Die
PQ14R188M	

\* 1000 per Reel



**PATRIOT®  
PATHCC10-18V SERIES**

**Battery Actuated Tool**

**Hydraulic Self-Contained Cutter**

The BURNDY® PATHCC10-18V series C-head cutter is an innovative compact and mobile cutting tool that allows users to interchange different cutting blades customized for their application. With a “C”-shaped style head and large opening, it’s easy to scoop and cut without the need to open or close a latch. The tool head swivels 355° and comes with a retractable assist handle to help maneuver the cutting head into position. The PATHCC10-18V blade alignment technology ensures a clean cut and maximum blade life.

The PATHCC10-18V series tool accommodates four different interchangeable blade types: HCCACSR, HCCSOL, HCCUAL, and HCCGUY. The PATHCC10-18V series tool comes in a variety of options to include a covered head version (PATHCC10C-18V), and the ability to order the tool with specific blades only. See the table for individual catalog numbers.

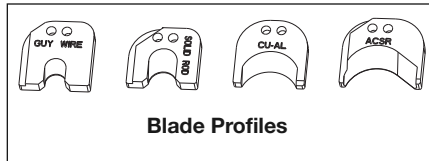
The PATHCC10-18V series cutters operate on 18-volt Ni-MH batteries. Each tool comes equipped with an impact resistant formed carrying case along with a tool retention lanyard, battery charger and two batteries. The carrying case also has pre-formed pockets to house all four blade types. The PATHCC10-18V series tools are provided with a 5-year limited warranty (excluding blades) and a lifetime power-train warranty on the INFINITY DRIVE®. The batteries and charger are provided with a 1-year limited warranty.



Tool Catalog Number	Blade Provided
PATHCC10-18V	HCCACSR, HCCGUY, HCCSOL, HCCUAL
PATHCC10ACSR-18V	HCCACSR
PATHCC10GUY-18V	HCCGUY
PATHCC10SOL-18V	HCCSOL
PATHCC10CUAL-18V	HCCUAL
PATHCC10*	None

\* The PATHCC10 is an economical solution for those customers already set up with batteries and chargers. The PATHCC10 is strictly the tool and carrying case; it does not include blades, batteries or a charger. Order blades separately.

Each BURNDY® HCC blade kit is designed specifically for the material it is intended to cut. Each blade is made from high strength tool steel and then hardened to ensure a long life. Each blade kit comes complete with screws and wrench for installation. The blade table points out the materials each blade is designed to cut.



**Blade Profiles**

**SPECIFICATIONS**

- Tool Weight:** 20.4 lbs
- Length:** 21.4"
- Width:** 3.7"
- Height:** 12.8"
- Operating Voltage:** 18 V-DC
- Recharge Time:** < 45 minutes

**FOR USE ON**

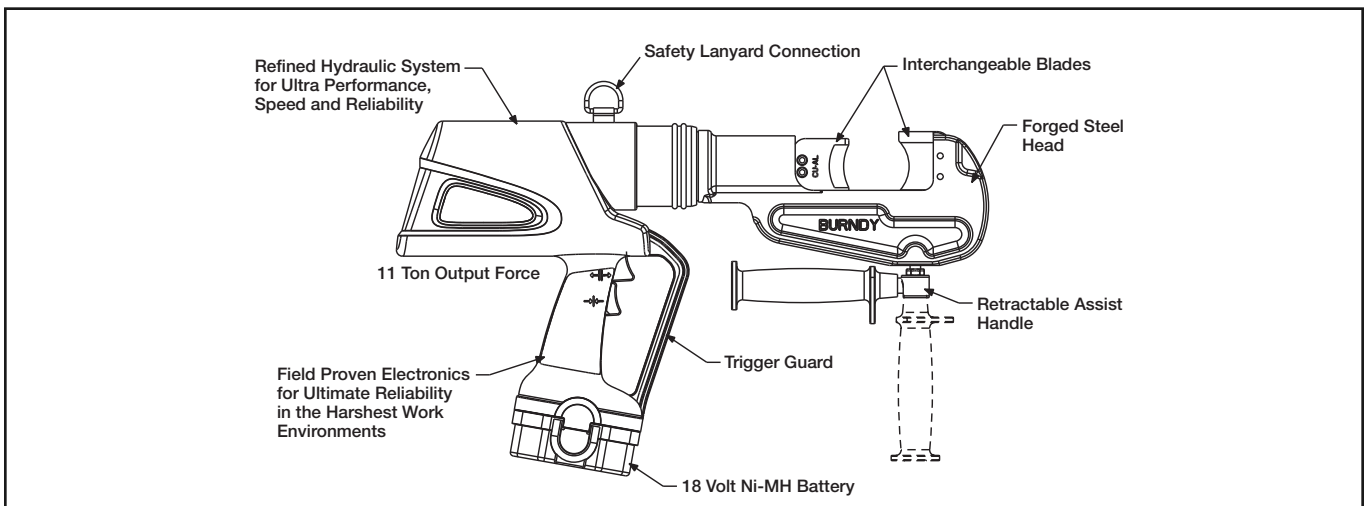
*Reference Blade Table*

- ACSR: up to 1590 (Falcon)
- EHS guy strand: up to 9/16"
- Standard guy strand: up to 9/16"
- Ground Rod: up to 3/4"
- Rebar: up to 5/8"
- Soft steel bolts: up to 5/8"
- Copper: up to 1.50"
- Aluminum: up to 1.50"

**ACCESSORIES**

- Battery:** Cat# **BAT18V**  
Hi-capacity 18V (2.6AH)
- Chargers:**
  - 120V-AC Cat# **PATCHGR18V**
  - 12/24V-DC Cat# **BCT/PATDCCHGR**
  - 240/250V-AC Cat# **PATCHGR250V**

Blade Table		
Catalog Number	Cutting Material	Max. O.D.
HCCACSR	ACSR	1590 kcmil
HCCUAL	Cu & Al	1.5" (38 mm)
	Ground Rod	3/4" (19 mm)
HCCSOL	Rebar	5/8" (16 mm)
	Soft Steel Bolts	5/8" (16 mm)
HCCGUY	Std. Guy Wire	9/16" (14 mm)
	EHS Guy Wire	9/16" (14 mm)



### PATRIOT® PATCUT129-LI

#### 18 Volt Lithium-Ion Battery Actuated Cutter

#### Hydraulic Self-Contained Cutting Tool

The BURNDY® PATRIOT® PATCUT129-LI Lithium-Ion tool incorporates the latest engineering technology with a refined hydraulic system for ultra performance, speed and reliability. The redesigned field proven electronics provide the ultimate reliability in the harshest work environments. All BURNDY® battery actuated hydraulic tools provide a consistent cut every time.

The PATCUT129-LI battery powered cutting tool is compact, fast, easy to use and incorporates the latest in battery tool technology. The ergonomic design allows one hand operation so that the other is free to manipulate the conductor in the proper cutting position. The PATCUT129-LI incorporates a specialized latch-style cutting head that allows interference-free closure for mid-span cuts. The cutter head rotates 180 degrees to allow users to get into tight areas easier. The PATCUT129-LI is capable of cutting up to 1.29" diameter copper and aluminum cable, 11 13 ACSR, 5/8" ground rods, 1/2" rebar, 5/8" diameter soft steel bolts, up to 1/2" standard guy strand, and up to 3/8" EHS guy strand.

The PATCUT129-LI is supplied with a durable high impact formed carrying case to hold the tool, battery charger, two 18 volt Lithium-Ion batteries and tool retention lanyard. The PATCUT129-LI is provided with a 5-year limited warranty (excluding blades), and 1-year on batteries and charger. All PATRIOT® tools feature the BURNDY® INFINITY DRIVE® transmission which has a lifetime warranty.



#### Features and Benefits

- Refined hydraulic system for ultra performance, speed and reliability
- Field proven electronics for ultimate reliability in the harshest environments
- Overmolded handle for comfort and improved grip; allows for one-handed operation for advance, retract, and hold
- Specialized latch head design for interference free closure for mid-span cuts
- 18-volt Lithium-Ion batteries provide 2.5 times more charge/discharge cycles than traditional Ni-Cd batteries and provide 430% more lifetime work
- 30 minute charger controls current, voltage and temperature to maximize battery life
- Forced air cooling fan cools the battery by forcing cool air through the battery's built-in air vents
- 180° head rotation allows user to get into tight areas easier
- Ergonomically balanced tool design eases operation and lessens fatigue
- Durable high impact formed carrying case provides superior protection and stores all accessories
- 5-year limited warranty on tool (excluding blades)
- Lifetime warranty on INFINITY DRIVE®
- 1-year warranty on batteries and charger

#### SPECIFICATIONS

<b>Tool Weight:</b>	10.2 lbs (4.6 kg) with Battery
<b>Length:</b>	14.5" (36.8 cm)
<b>Width:</b>	3.5" (8.9 cm)
<b>Height:</b>	13.5" (34.3 cm)
<b>Operating Voltage:</b>	18 V-DC
<b>Recharge Time:</b>	30 minutes

#### FOR USE ON

Copper & Aluminum Cable:	Up to 1.29"
ACSR:	Up to 1113
Ground Rod:	Up to 5/8"
Rebar:	Up to 1/2"
Soft Steel Bolts:	Up to 5/8"
Standard Guy Strand:	Up to 1/2"
EHS Guy Strand:	Up to 3/8"

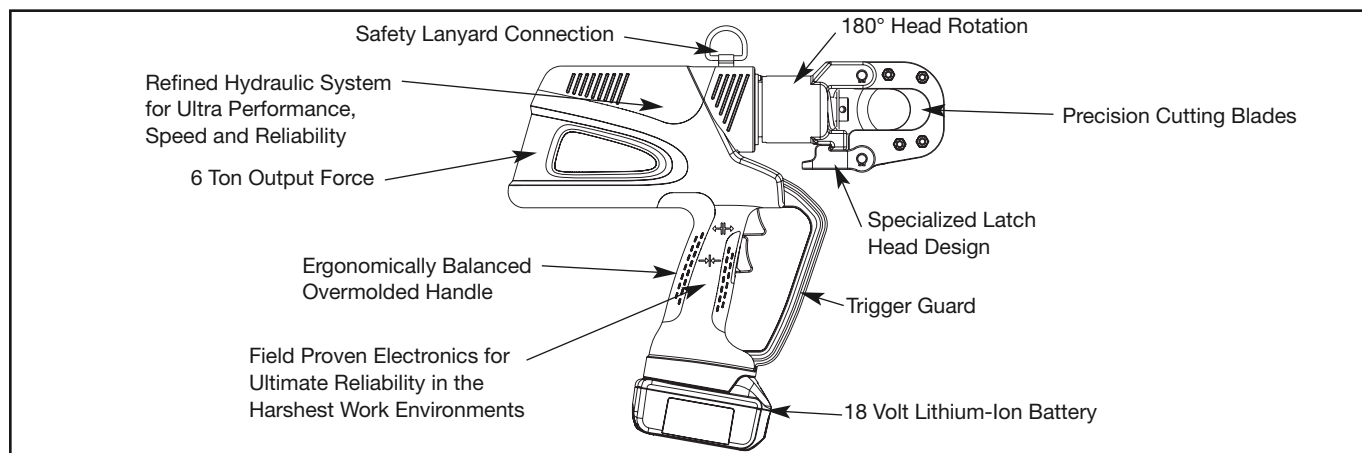
#### ACCESSORIES

**Battery:** Cat# **BAT18VLI**  
(3.0 AH) Hi-capacity

**Chargers:**  
120V-AC Cat# **PATCHGR-LI**  
12/24V-DC Cat# **PATCHGR-LIDC**  
240/250V-AC Cat# **PATCHGR-LI250V**

**Replacement Blades:**  
Cat# **PT10037388**  
(Moving Blade)  
Cat# **PT10037384**  
(Fixed Blade)

**Lanyard:** Cat# **PT208620**



**PATRIOT®  
PATCUT129ACSR-18V**

**Battery Actuated Tool**

**Hydraulic Self-Contained Cutter**

The BURNDY® PATCUT129ACSR-18V battery powered cutting tool is compact, fast, easy to use and incorporates the latest in battery tool technology. The ergonomic design allows one hand operation so that the other is free to manipulate the conductor in the proper cutting position. The PATCUT129ACSR-18V incorporates a specialized latch style cutting head that allows interference-free closure for mid-span cuts. The cutter head rotates 180 degrees to allow users to get into tight areas easier. The PATCUT129ACSR-18V is capable of cutting up to 1.29" diameter copper and aluminum cable, 1113 ACSR, 5/8" ground rod, 1/2" rebar, 5/8" diameter soft steel bolts, up to 1/2" standard guy strand, and up to 3/8" EHS guy strand.

The PATCUT129ACSR-18V operates on industry standard 18-volt Ni/MH batteries that eliminate voltage depression or "memory" issues. The PATCUT129ACSR-18V comes equipped with a high impact formed carrying case, a battery charger and two batteries. The PATCUT129ACSR-18V is provided with a 5-year limited warranty (excluding blades), and 1-year on batteries and charger.



**Features and Benefits**

- Battery powered cutting technology.
  - ◊ Easy tool operation and portability.
- Advance design high-speed pump completes tough cuts faster.
  - ◊ Longer life, efficiency, and reliability.
- Specialized latch head design.
  - ◊ Interference free closure for mid-span cuts.
- Ergonomic design allows one hand operation.
  - ◊ User has one hand free to manipulate material to be cut.
- 180 degree head rotation.
  - ◊ Versatile head positioning allows user to get into tight areas easier.
- Mechanical ram release.
  - ◊ Reliable ram release (no battery power consumption).
- Operates on 18 volt Ni-MH batteries.
  - ◊ Eliminates voltage depression or "memory" issues.
- Durable high impact formed carrying case.
  - ◊ Provides tool protection and stores all accessories.
- 5-year limited warranty on tool (excluding blades) and 1 year on batteries and charger.
  - ◊ Customer satisfaction and support.

**SPECIFICATIONS**

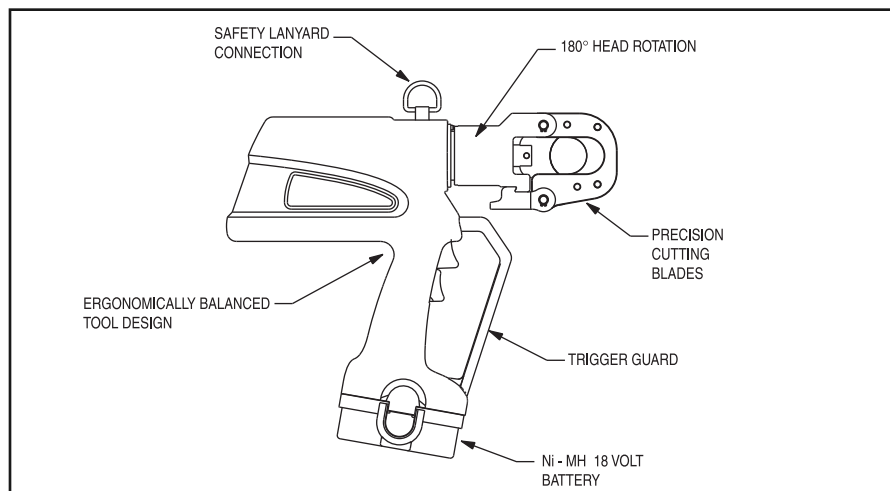
- Tool Weight:** 11 lbs.
- Length:** 14.5"
- Width:** 3.5"
- Height:** 13.5"
- Operating Voltage:** 18 V-DC
- Recharge Time:** < 45 mins.

**FOR USE ON**

- Copper Cable: up to 1.29"
- Aluminum Cable: up to 1.29"
- ACSR: up to 1113 ACSR
- Ground Rod: up to 5/8"
- Rebar: up to 1/2"
- Soft Steel Bolts: up to 5/8"
- Standard Guy Strand: up to 1/2"
- EHS Guy Strand: up to 3/8"

**ACCESSORIES**

- **Lanyard:** Cat# **PT208620**
- **Battery:** Cat# **BAT18V**  
Hi-capacity (2.6 AH)
- **Charger:** Cat# **PATCHGR18V**  
120V-AC Cat# **BCT/PATDCCHGR**  
12/24V-DC Cat# **PATCHGR250V**  
240/250V-AC
- **Replacement Blades:** Cat# **PT10037388**  
(Moving Blade)  
Cat# **PT10037384**  
(Fixed Blade)



### PATRIOT® PATCUT245-LI

#### 18 Volt Lithium-Ion Battery Actuated Cutter

#### Hydraulic Self-Contained Cutting Tool

The BURNDY® PATRIOT® PATCUT245-LI Lithium-Ion tool incorporates the latest engineering technology with a refined hydraulic system for ultra performance, speed and reliability. The redesigned field proven electronics provide the ultimate reliability in the harshest work environments. All BURNDY® battery actuated hydraulic cutting tools provide a consistent cut every time.

The PATCUT245-LI battery powered cutting tool is compact, fast, easy to use and incorporates the latest in battery tool technology. The ergonomic design allows one hand operation so that the other is free to manipulate the conductor in the proper cutting position. The PATCUT245-LI incorporates a specialized latch style cutting head that allows interference-free closure for mid-span cuts. The cutter head rotates 180 degrees to allow users to get into tight areas easier. The PATCUT245-LI is capable of cutting up to 2.45" diameter copper and aluminum cable.

The PATCUT245-LI is supplied with a durable high impact formed carrying case to hold the tool, battery charger, two 18 volt Lithium-Ion batteries and tool retention lanyard. The PATCUT245-LI is provided with a 5-year limited warranty (excluding blades), and 1-year on batteries and charger. All PATRIOT® tools feature the BURNDY® INFINITY DRIVE® transmission which has a lifetime warranty.



#### Features and Benefits

- Refined hydraulic system for ultra performance, speed and reliability
- Field proven electronics for ultimate reliability in the harshest environments
- Overmolded handle for comfort and improved grip; allows for one-handed operation for advance, retract, and hold
- Specialized latch head design for interference free closure for mid-span cuts
- 18-volt Lithium-Ion batteries provide 2.5 times more charge/discharge cycles than traditional Ni-Cd batteries and provide 430% more lifetime work
- 30 minute charger controls current, voltage and temperature to maximize battery life
- Forced air cooling fan cools the battery by forcing cool air through the battery's built-in air vents
- 180° head rotation allows user to get into tight areas easier
- Ergonomically balanced tool design eases operation and lessens fatigue
- Durable high impact formed carrying case provides superior protection and stores all accessories
- 5-year limited warranty on tool (excluding blades)
- Lifetime warranty on INFINITY DRIVE®
- 1-year warranty on batteries and charger

#### SPECIFICATIONS

- Tool Weight:** 13.7 lbs (6.2 kg)  
With Battery
- Length:** 18.1" (45.9 cm)
- Width:** 3.5" (8.9 cm)
- Height:** 13.5" (34.3 cm)
- Operating Voltage:** 18 V-DC
- Recharge Time:** 30 minutes

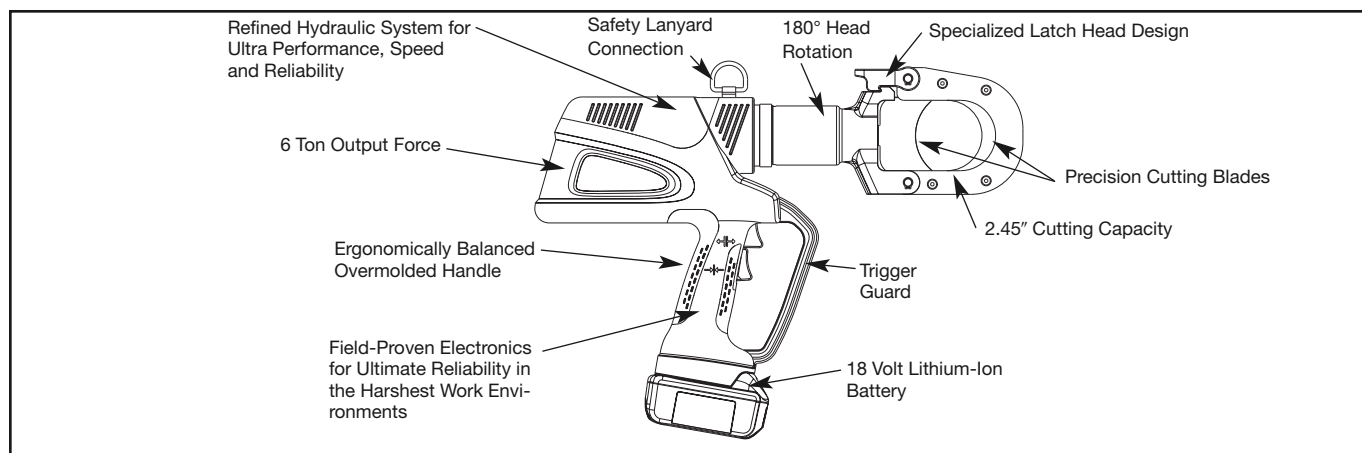
#### FOR USE ON

Copper & Aluminum Cable: Up to 2.45" O.D.

**For Copper and Aluminum cable only. Do not cut steel, ground rods, rebar, or guy wire.**

#### ACCESSORIES

- Battery:** Cat# **BAT18VLI**  
(3.0 AH) Hi-capacity
- Chargers:**
  - 120V-AC Cat# **PATCHGR-LI**
  - 12/24V-DC Cat# **PATCHGR-LIDC**
  - 1240/250V-AC Cat# **PATCHGR-LI250V**
- Replacement Blades:**
  - Cat# **PT10038657**  
(Moving Blade)
  - Cat# **PT10040663**  
(Fixed Blade)
- Lanyard:** Cat# **PT208620**



**PATRIOT®  
PATCUT245CUAL-18V**

**Battery Actuated Tool**

**Hydraulic Self-Contained Cutter**

The BURNDY® PATCUT245CUAL-18V battery powered cutting tool is compact, fast, easy to use and incorporates the latest in battery tool technology. The ergonomic design allows one hand operation so that the other is free to manipulate the conductor in the proper cutting position. The PATCUT245CUAL-18V incorporates a specialized latch style cutting head that allows interference-free closure for mid-span cuts. The cutter head rotates 180 degrees to allow users to get into tight areas easier. The PATCUT245CUAL-18V is capable of cutting up to 2.45" diameter copper and aluminum cable.

The PATCUT245CUAL-18V operates on industry standard 18-volt Ni/MH batteries that eliminate voltage depression or "memory" issues. The PATCUT245CUAL-18V comes equipped with a high impact formed carrying case to hold the tool, a tool retention lanyard, a battery charger and two batteries. The PATCUT245CUAL-18V is provided with a 5-year limited warranty (excluding blades), and 1-year on batteries and charger.



**Features and Benefits**

- Battery powered cutting technology.
  - ◇ Easy tool operation and portability.
- Advance design high-speed pump completes tough cuts faster.
  - ◇ Longer life, efficiency, and reliability.
- Specialized latch head design.
  - ◇ Interference free closure for mid-span cuts.
- Ergonomic design allows one hand operation.
  - ◇ User has one hand free to manipulate material to be cut.
- 180-degree head rotation.
  - ◇ Versatile head positioning allows user to get into tight areas easier.
- Mechanical ram release.
  - ◇ Reliable ram release (no battery power consumption).
- Operates on 18-volt Ni/MH batteries.
  - ◇ Eliminates voltage depression or "memory" issues.
- Durable high impact formed carrying case.
  - ◇ Provides tool protection and stores all accessories.
- 5-year limited warranty on tool (excluding blades) and 1-year on batteries and charger.
  - ◇ Customer satisfaction and support.

**SPECIFICATIONS**

- Tool Weight:** 14.5 lbs. (5.4 kg)  
With Battery
- Length:** 18" (45.7 cm)
- Width:** 3.75" (9.5 cm)
- Height:** 14.75" (37.5 cm)
- Operating Voltage:** 18 V-DC
- Recharge Time:** < 45 mins.

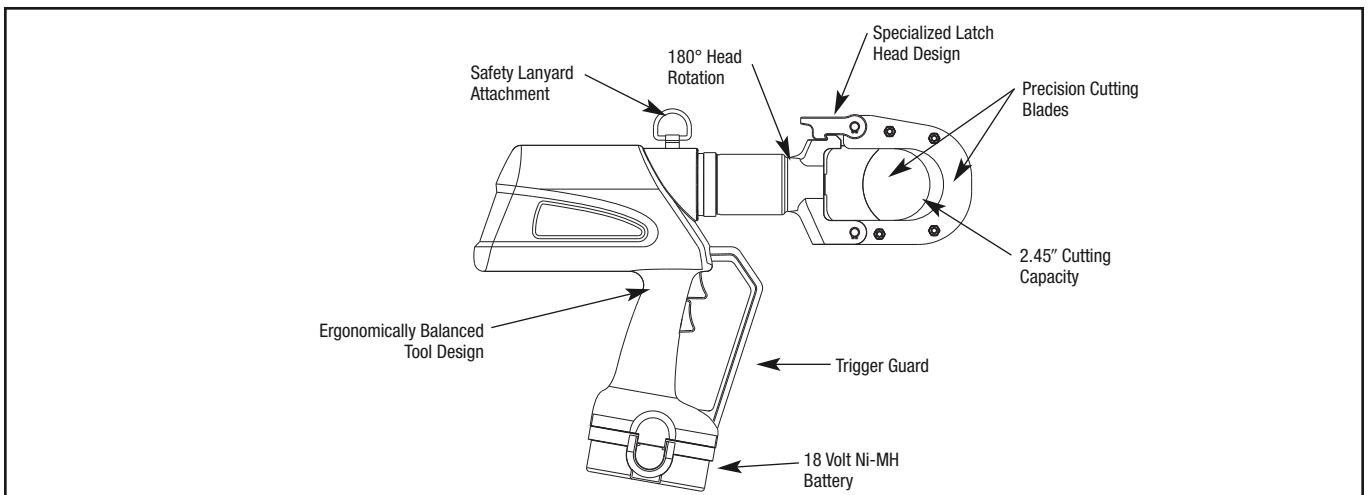
**FOR USE ON**

- Copper and Aluminum Cable: Up to 2.45" O.D  
(62.2 mm)

**For Copper and Aluminum cable only. Do not cut steel, ground rod, rebar, or guy wire.**

**ACCESSORIES**

- **Carrying Case:** Cat# **PT10044980**
- **Lanyard:** Cat# **PT208620**
- **Battery:** Cat# **BAT18V**  
Hi-capacity (2.6 AH)
- **Charger:**
  - 120V-AC Cat# **PATCHGR18V**
  - 12/24V-DC Cat# **BCT/PATDCCHGR**
  - 240/250V-AC Cat# **PATCHGR250V**
- **Replacement Blades:**
  - Cat# **PT10038657**  
(Moving Blade)
  - Cat# **PT10040663**  
(Fixed Blade)





### BCC1000CUAL

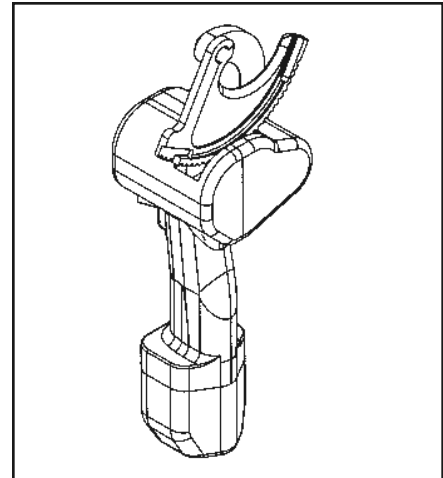
#### Battery Actuated Cable Cutter

The BURNDY® BCC1000CUAL is a 12 V-DC battery actuated cable cutter capable of cutting up to 750 kcmil hard drawn copper cable, and up to 1000 kcmil soft drawn copper and up to 2" O.D. aluminum cable. DO NOT CUT STEEL or ACSR. The BCC1000CUAL comes with battery powered cutting tool, sealed nickel cadmium 12 V battery, 120V AC charger, carrying case, and wrist loop which provides added security when making cuts overhead.

The BURNDY® BCC1000CUAL is designed to cut copper and aluminum cables in a limited amount of space. The BCC1000CUAL makes fast reliable cuts without stress to the user. Just squeeze the trigger and it will cut through your toughest copper and aluminum cables. The BCC1000CUAL has a three-way switch (forward, reverse, and neutral) which allows the user to make partial cuts, back off cables, or make adjustments during cutting.

The battery charge time is approximately 1 hour for a fast charge (80%), 4 to 6 hours for a quick charge, and 14 to 16 hours for a standard charge (100%). The 12 V battery can be recharged approximately 1,000 times.

The BCC1000CUAL (excluding cutting blades) is warranted to be free of defects in material and workmanship for a period of 90 days, except in the case of abuse or modification.



#### FEATURES

- Hook head design.
- Three way switch.
- Hardened steel blades.
- Ergonomic design.
- Wrist loop.

#### BENEFITS

- Simplifies conductor cutting and allows working in tight spaces.
- Allows backing off cable, partial cuts, and adjusting during cutting.
- Helps ensure consistent cuts and longer blade life.
- Prevents hand/wrist injury.
- Withstands rugged use. Resists oil and solvents.
- Added security when cutting cables overhead.

#### ACCESSORIES

Catalog Number	Item Description
BCCBAT12V	BCC1000CUAL Battery
BCCCHGR	BCC1000CUAL Charger
BCCCASE	BCC1000CUAL Carrying Case
RP50RP03	BCC1000CUAL Moving Blade
RP50RP02	BCC1000CUAL Fixed Blade

#### SPECIFICATIONS

##### Cutting Tool

Specifications	Description
Drive Unit:	12 V-DC Motor
Dimensions:	4"L × 4.5"W × 14.5" H
Weight:	6 lbs.

**Cutting Capacity:** 1000 kcmil soft drawn copper, 750 kcmil hard drawn copper and up to 2" O.D. aluminum

##### Battery

Specifications	Description
Battery Type:	Sealed nickel cadmium
Voltage:	12 V-DC
Rated Capacity:	1.2 A/hr
Charge Time:	Fast, approx. 1 hour Quick, 4-6 hours Standard, 14-16 hours
Dimensions:	2.75"L × 2.7"W × 4.75"H
Weight:	1.4 lb.

##### Battery Charger

Specifications	Description
Input Voltage:	120 V-AC
Input Frequency:	60 Hz
Input Current:	110/120V
Dimensions:	5.7"L × 3"W × 2.8"H
Weight:	2.2 lbs.

#### FOR USE ON

Maximum conductors accommodated:  
750 kcmil hard drawn copper  
1000 kcmil soft drawn copper  
1000 kcmil aluminum

**YCUT129ACSR**

**Hydraulic Hand Operated Cutter**

The BURNDY® YCUT129ACSR incorporates a specialized latch style cutting head that allows interference-free closure for mid-span cuts. The cutter head rotates 180 degrees to allow users to get into tight areas easier. The YCUT129ACSR weighs only 11.4 pounds, yet delivers 7 tons of cutting force. The YCUT129ACSR with its hardened steel blades is capable of cutting up to 1.29" diameter bare or insulated copper and aluminum cable, 1113 ACSR, 5/8" ground rod, 1/2" rebar and 5/8" diameter soft steel bolts 1/2" standard guy strand and up to 3/8" EHS guy strand.

The YCUT129ACSR comes equipped with a high impact formed carrying case to hold the tool and accessories. The BURNDY® YCUT129ACSR is provided with a 5-year limited warranty (excluding blades).



**SPECIFICATIONS**

- Force Developed:** 7 U.S. short tons
- Tool Weight:** 11.4 lbs. (5.1 kg)
- Length:** 22.4" (56.9 cm)
- Width:** 2.5" (6.4 cm)
- Height:** 6.6" (16.8 cm)

**FOR USE ON**

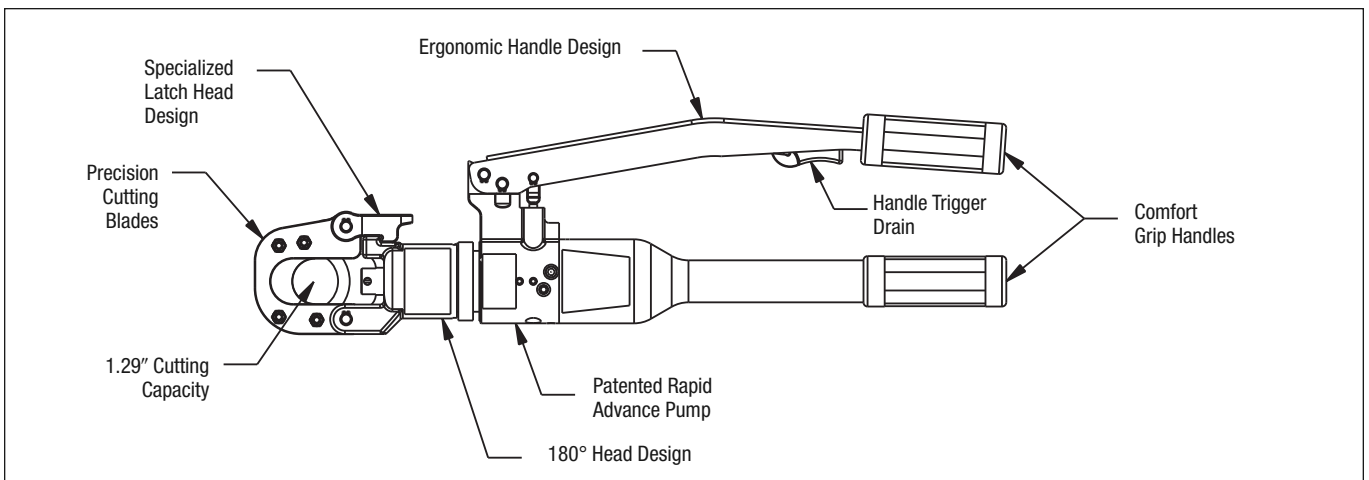
- Copper Cable: up to 1.29"
- Aluminum Cable: up to 1.29"
- ACSR: up to 1113 ACSR
- Ground Rod: up to 5/8"
- Rebar: up to 1/2"
- Soft Steel Bolts: up to 5/8"
- Standard Guy Strand: up to 1/2"
- EHS Guy Strand: up to 3/8"

**ACCESSORIES**

- **Carrying Case:** Cat# **PT10024162**
- **Replacement Blades:**
  - Cat# **PT10037388**  
(Moving Blade)
  - Cat# **PT10037384**  
(Fixed Blade)

**Features and Benefits**

- Patented rapid advance pump.
  - ◇ Faster cuts with less hand strokes.
- Specialized latch head design.
  - ◇ Interference free closure on mid-span cuts.
- Handle trigger drain
  - ◇ For convenient blade retraction.
- Hardened steel blades.
  - ◇ Ability to cut ACSR, ground rods, rebar and guy wire.
- Comfort grip handles.
  - ◇ Help ease fatigue with continuous use.
- 180-degree head rotation.
  - ◇ Versatile head positioning to get into tight areas easier.
- Durable high impact formed carrying case.
  - ◇ Provides tool protection and stores accessories.
- 5-year limited warranty on tool (excluding blades).
  - ◇ Customer satisfaction and support.



### RHCC129ACSR

#### 10,000 PSI Remote Cable Cutter

#### Remote Power Operated Hydraulic Cable Cutter

The BURNDY® RHCC129ACSR remote hydraulic cable cutter incorporates a specialized latch style cutting head that allows interference-free closure for mid-span cuts. The RHCC129ACSR with its precision cutting blades is capable of cutting up to 1.29" diameter bare or insulated copper and aluminum cable, 1113 ACSR, 5/8" ground rod, 1/2" rebar, 5/8" diameter soft steel bolts, 1/2" standard guy strand, and up to 3/8" EHS guy strand.

The RHCC129ACSR is provided with a 5-year limited warranty (excluding blades).



#### Features and Benefits

- Specialized latch head design.
  - ◊ Interference free closure for mid-span cuts.
- Precision cutting blades.
  - ◊ For clean cuts on Cu/Al, ACSR, ground rods, rebar, guy strand, and soft steel bolts.
- High strength steel cylinder.
  - ◊ For durability and long life.
- Lightweight ergonomic design allows one hand operation.
  - ◊ User has one hand free to manipulate material to be cut.
- Durable canvas carrying bag.
  - ◊ Provides tool protection and stores all accessories.
- 5-year limited warranty on tool (excluding blades).
  - ◊ Customer satisfaction and support.

#### SPECIFICATIONS

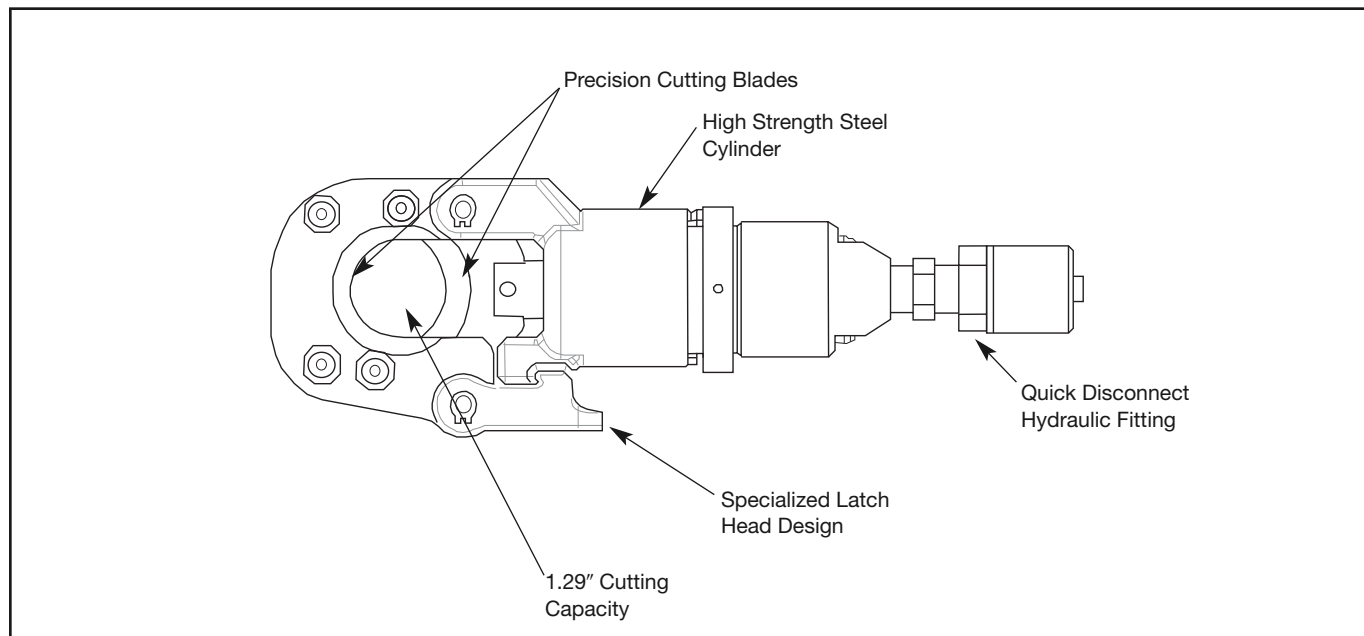
- Operating Pressure:** 10,000 psi (700 bar)
- Tool Weight:** 5.85 lbs. (2.65 kg)
- Length:** 11.25" (286 mm)
- Width:** 3.7" (94 mm)

#### FOR USE ON

- Copper Cable: up to 1.29"
- Aluminum Cable: up to 1.29"
- ACSR: up to 1113 ACSR
- Ground Rod: up to 5/8"
- Rebar: up to 1/2"
- Soft Steel Bolts: up to 5/8"
- Standard Guy Strand: up to 1/2"
- EHS Guy Strand: up to 3/8"

#### ACCESSORIES

- Canvas Bag:** Cat# **PT10043890**
- Replacement Blades:** Cat# **PT10037388** (Moving Blade)  
Cat# **PT10037384** (Fixed Blade)
- Hot Stick Adapter:** Cat# **RHCCHSA**





## RHCC245CUAL

### 10,000 PSI Remote Cable Cutter

#### Remote Power Operated Hydraulic Cable Cutter

The BURNDY® RHCC245CUAL remote hydraulic cable cutter incorporates a specialized latch style cutting head that allows interference-free closure for mid-span cuts. The RHCC245CUAL with its precision cutting blades is capable of cutting up to 2.45" diameter copper and aluminum cable.

The RHCC245CUAL is provided with a 5-year limited warranty (excluding blades).



### Features and Benefits

- Specialized latch head design.
  - ◇ Interference free closure for mid-span cuts.
- Precision cutting blades.
  - ◇ For clean cuts on copper and aluminum cable.
- High strength steel body.
  - ◇ For durability and long life
- Lightweight ergonomic design allows one hand operation.
  - ◇ User has one hand free to manipulate material to be cut.
- Durable canvas carrying bag.
  - ◇ Provides tool protection and stores all accessories.
- 5-year limited warranty on tool (excluding blades).
  - ◇ Customer satisfaction and support.

### SPECIFICATIONS

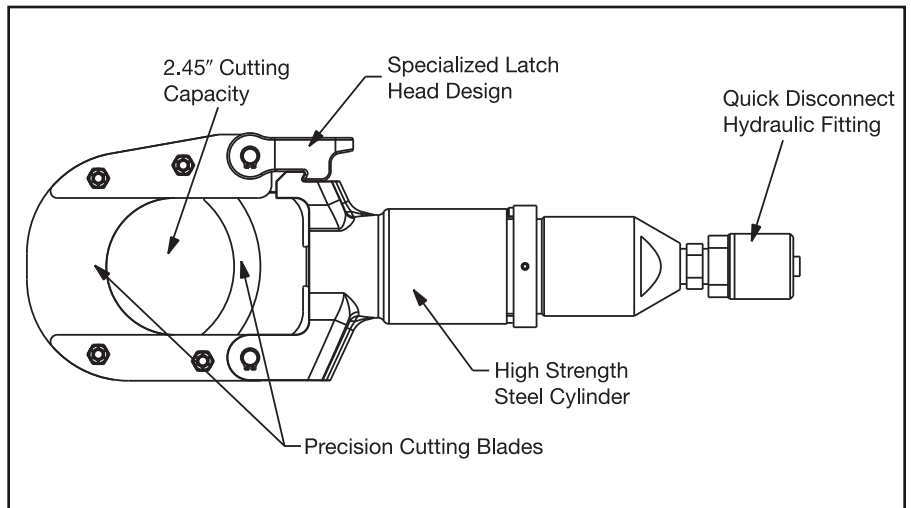
**Operating Pressure:** 10,000 psi (700 bar)  
**Tool Weight:** 8.3 lbs. (3.8 kg)  
**Length:** 14.8" (376 mm)  
**Width:** 4.75" (121 mm)

### FOR USE ON

**Copper & Aluminum** 2.45" O.D. (62 mm)

### ACCESSORIES

**Canvas Bag:** Cat# **PT10054094**  
**Replacement Blades:** Cat# **PT10038657** (Moving Blade)  
 Cat# **PT10040663** (Fixed Blade)



### MCC500, MCC1000

#### Manual Cable Cutters

The MCC series cable cutters are precision cable cutters incorporating high leverage shear-type design capable of cutting up to 1000 kcmil copper and aluminum cables. Rugged steel blades and fiberglass construction provide cutting ease, long life and minimum cable distortion.

The MCC series cable cutters are warranted to be free from defects in material (excluding blades) and workmanship for one year.



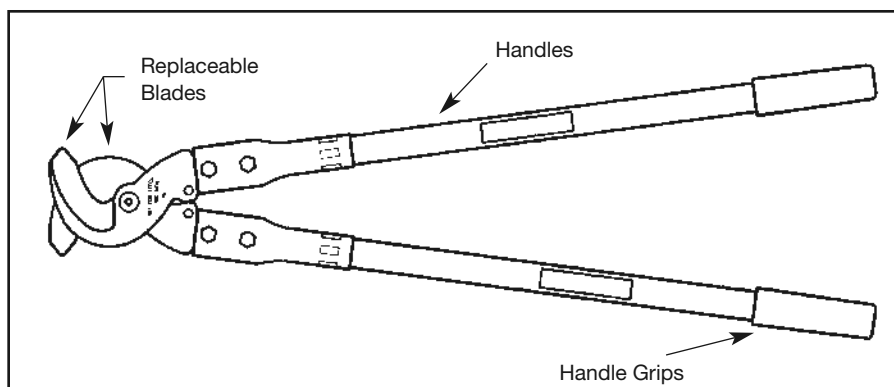
#### FEATURES

- High quality design and construction.
- Rugged high quality steel blades.
- Fiberglass handles with soft grips.

#### BENEFITS

- Easy cutting with minimal cable distortion.
- Excellent cutting edge performance.
- Provides comfortable tool operation and long life.

Catalog Number	Overall Length	Max. Capacity		Max. Insulation Diameter	Weight
		Copper	Aluminum		
MCC500	21" [533 mm]	500 kcmil	500 kcmil	1.25" [32 mm]	3.5 lbs. (1.5 kg)
MCC1000	32" [813 mm]	1000 kcmil	1000 kcmil	1.90" [48 mm]	9.0 lbs. (4.0 kg)



#### Replacement Blades

Catalog Number	Description
MCC500BLADESET	Replacement blades for MCC500
MCC1000BLADESET	Replacement blades for MCC1000

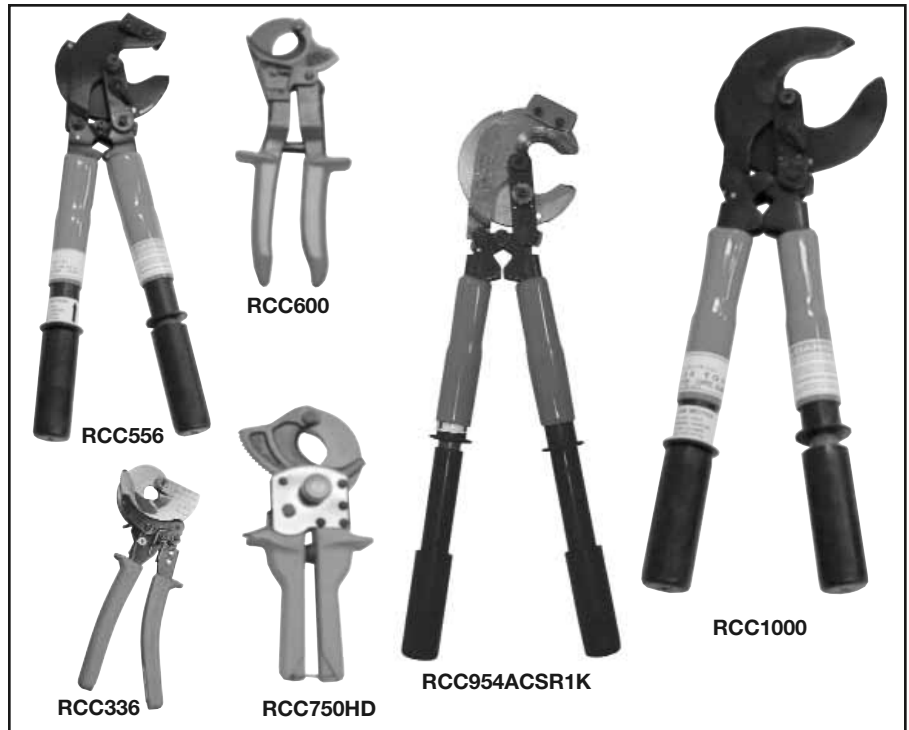
**RCC336, RCC556,  
RCC600, RCC750HD,  
RCC954ACSR1K,  
RCC1000**

**Ratchet Cable Cutters**

The RCC series cable cutters are precision high quality tools designed to cut up to 954 ACSR and 1000 kcmil copper and aluminum. The tools are equipped with rugged steel blades, and a precision bi-directional ratchet mechanism for positive blade control, including where applicable, a fast action thumb slide collar for rapid blade advance and rugged fiberglass or non-slip grip handles. RCC600 and RCC750HD have cushion grip covered steel handles.

The RCC series cable cutters are warranted to be free from defects in material (excluding blades) and workmanship for one year.

**For replacement blades, consult factory for details.**

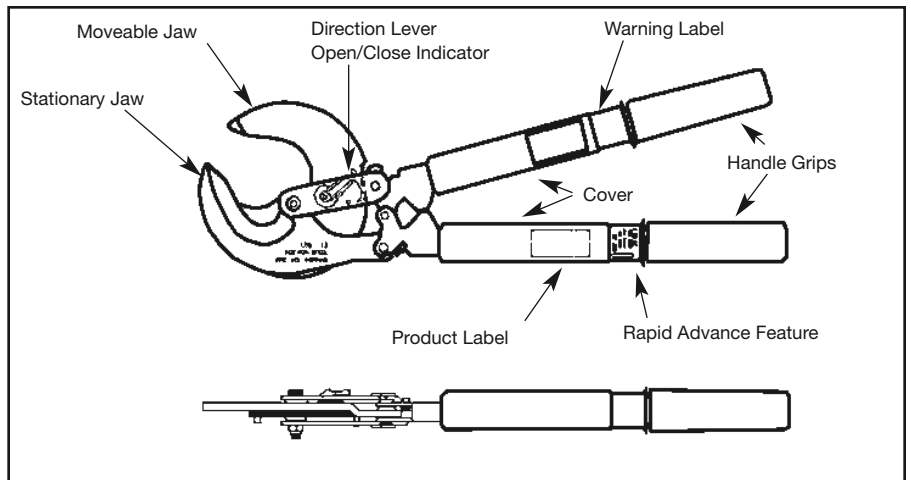


**FEATURES**

- Patented high strength steel blades.
- Quick release, bi-directional ratchet mechanism.
- Rapid blade advance.

**BENEFITS**

- Easy cutting with minimal cable distortion.
- Excellent cutting edge performance.
- Provides comfortable tool operation and long life.



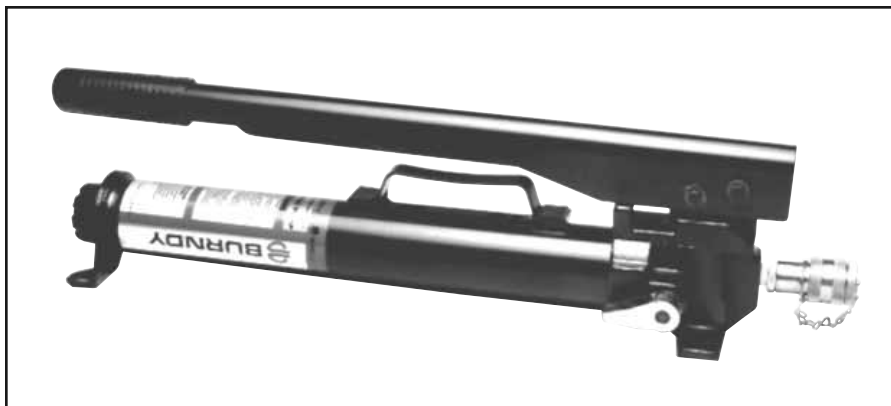
Catalog Number	Overall Length	Maximum Capacity			Maximum Insulation Diameter	Weight
		Copper	Aluminum	ACSR		
RCC336	10.5" [267 mm]	350 kcmil [177 mm]	500 kcmil [253 mm]	336 kcmil [18.31 mm]	0.74" [18.8 mm]	1.2 Lbs. (0.5 kg)
RCC556	20" [508 mm]	500 kcmil [26.70 mm]	500 kcmil [26.70 mm]	556 kcmil [23.55 mm]	1.25" [31.75 mm]	4.5 Lbs. (2.0 kg)
RCC600	10" [254 mm]	600 kcmil [26.70 mm]	600 kcmil [26.70 mm]	—	1.25" [31.75 mm]	1.27 Lbs. (.57 kg)
RCC750HD	10.5" [267 mm]	750 kcmil [29.36 mm]	750 kcmil [29.36 mm]	—	1.62" [41.15 mm]	2.43 Lbs. (1.1 kg)
RCC954ACSR1K	22.75" [578 mm]	1000 kcmil [33.27 mm]	1000 kcmil [33.27 mm]	954 kcmil [30.38 mm]	1.38" [35.05 mm]	6.5 Lbs. (2.95 kg)
RCC1000	20" [508 mm]	1000 kcmil [33.27 mm]	1000 kcmil [33.27 mm]	—	2.375" [60.32 mm]	4.5 Lbs. (2.0 kg)

### HP10, HP8, AND HP6

#### HP Series Manual Hydraulic Hand Pumps

Hydraulic Output Pressures of 10,000 PSI, 8,800 PSI, and 6,000 PSI

Hand pumps are designed to match the output pressure requirements of HYPRESS™ heads and cutters. Each pump is equipped with a built-in, factory set pressure release valve with audible click to signal completion of crimp cycle.



#### BENEFITS

- Durable, long life expectancy.
- Easy to transport and move tool around job site with built in handle.
- Maximum mechanical advantage provided with long handle.
- Solid tool base provided with sturdy broad leg stabilizers.
- Save time with quick disconnect hydraulic fitting.
- High quality crimps provided with built-in, factory set pressure release valve and audible click to signal completion of crimp.
- 5-year limited warranty.

#### SPECIFICATIONS

**Reservoir volume:** 1-1/8 qts.

**Length:** 24-3/4"

**Width:** 5"

**Weight:** 18 lbs.

**Closed height:** 6-3/4"

**Height (with handle open):** 20"

#### FOR USE ON

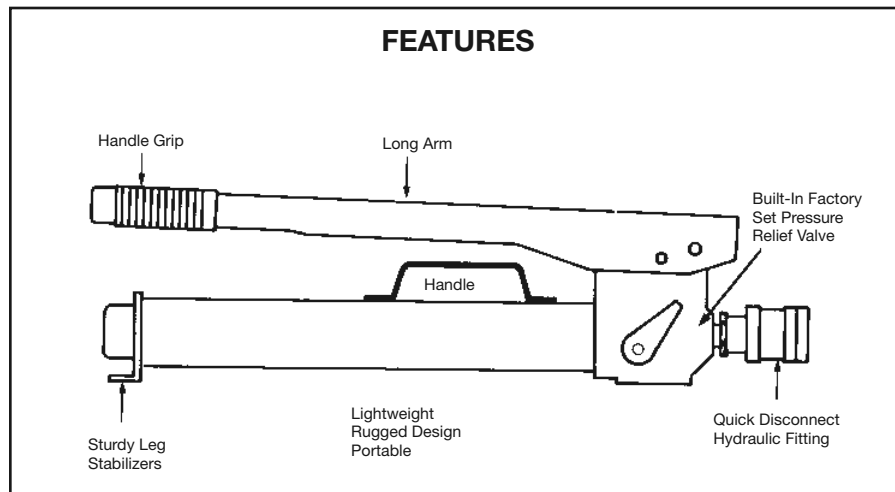
**HP10** 10,000 Y34BH, Y35BH, Y35BH-4, Y750BH, Y750BH-2, Y39BH, Y45, Y46C, Y46, Y60BHU, RHCC Series Cutters

**HP8** 8,800 Y48BH

**HP6** 6,000 Y35-L

#### ACCESSORIES

Extended leg pad stabilizers (w/hardware)  
Cat # **BP10PADKIT**



**FP10, FP8, AND FP6**

**FP Series Manual Hydraulic Foot Pumps**

Hydraulic Output Pressures of 10,000 PSI, 8,800 PSI, and 6,000 PSI

Foot pumps are designed to match the output pressure requirements for use with all HYPRESS™ heads and cutters. Each pump is equipped with a built-in, factory set pressure release valve with audible click to signal completion of a crimp cycle.



**BENEFITS**

- Easy to lift and carry.
- Durable. Long life expectancy.
- Easy to transport and move tool around job site with built in handle.
- Easy operation provided with spring assisted return arm.
- Maximum mechanical advantage provided with long arm extending beyond pump body.
- Quality, heavy duty foot pad provided with diamond plate steel.
- Solid tool base provided with sturdy broad leg stabilizers.
- Time saving quick disconnect hydraulic fitting.
- High quality crimps provided with factory set pressure release valve with audible click to signal completion of crimp.
- 5-year limited warranty.

**SPECIFICATIONS**

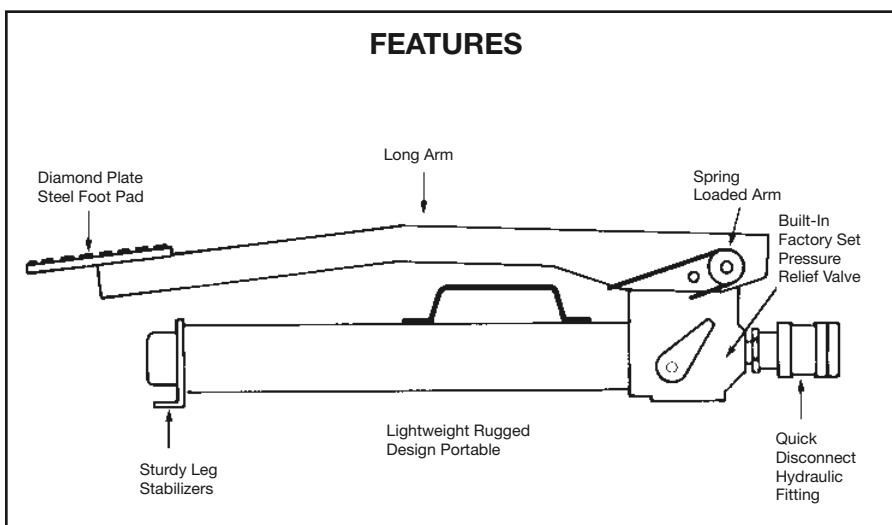
**Reservoir volume:** 1-1/8 qts.  
**Length:** 24-3/4"  
**Width:** 5"  
**Weight:** 19 lbs.  
**Closed height:** 6-1/2"  
**Height (with handle open):** 17"

**FOR USE ON**

**FP-10** 10,000 Y34BH, Y35BH, Y35BH-4, Y750BH, Y750BH-2, Y39BH, Y45, Y46C, Y46, Y60BHU, Y750BH, RHCC Series Cutters  
**FP-8** 8,800 Y48BH  
**FP-6** 6,000 Y35-L

**ACCESSORIES**

Extended leg pad stabilizes (w/hardware)  
 Cat # **BP10PADKIT**



### Y10AC9

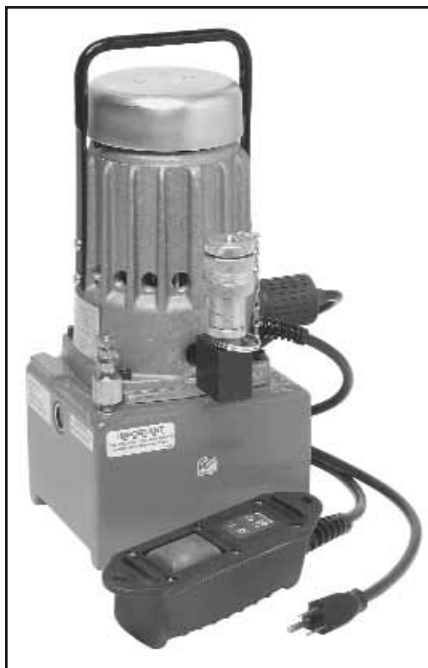
#### Electric Hydraulic Pump

Hydraulic Output Pressure of 10,000 PSI

The Y10AC9 electric hydraulic pump is for use with all HYPRESS™ heads and cutters requiring 10,000 PSI operating pressure. The Y10AC9 is equipped with a built-in, factory set pressure relief valve. An audible “pop” and recycling of the pump as well as relaxing of the hose signal completion of the crimping/cutting cycle. Pump is supplied with a durable hand-held electric pendant switch.

#### Features and Benefits

- Lightweight, small size.
  - ◇ Easy to lift, carry and transport tool around job site with lightweight body and handle.
- Factory set relief valve.
  - ◇ High quality crimps are achieved with built-in, factory set pressure relief valve and audible recycling of pump to signal completion of crimp cycle.
- 100,000 (+) life cycles.
  - ◇ Long durable life expectancy with light-weight cast aluminum reservoir body.



#### Specifications

- Motor:** 115V AC 50/60 Hz  
5/8 HP, 10,000 rpm  
11 amp current draw
- Reservoir Volume:** 1.61 quarts
- Height:** 14.38"
- Base:** 6.5" × 8.25"
- Weight:** 28 lbs. (with oil)

#### FOR USE ON

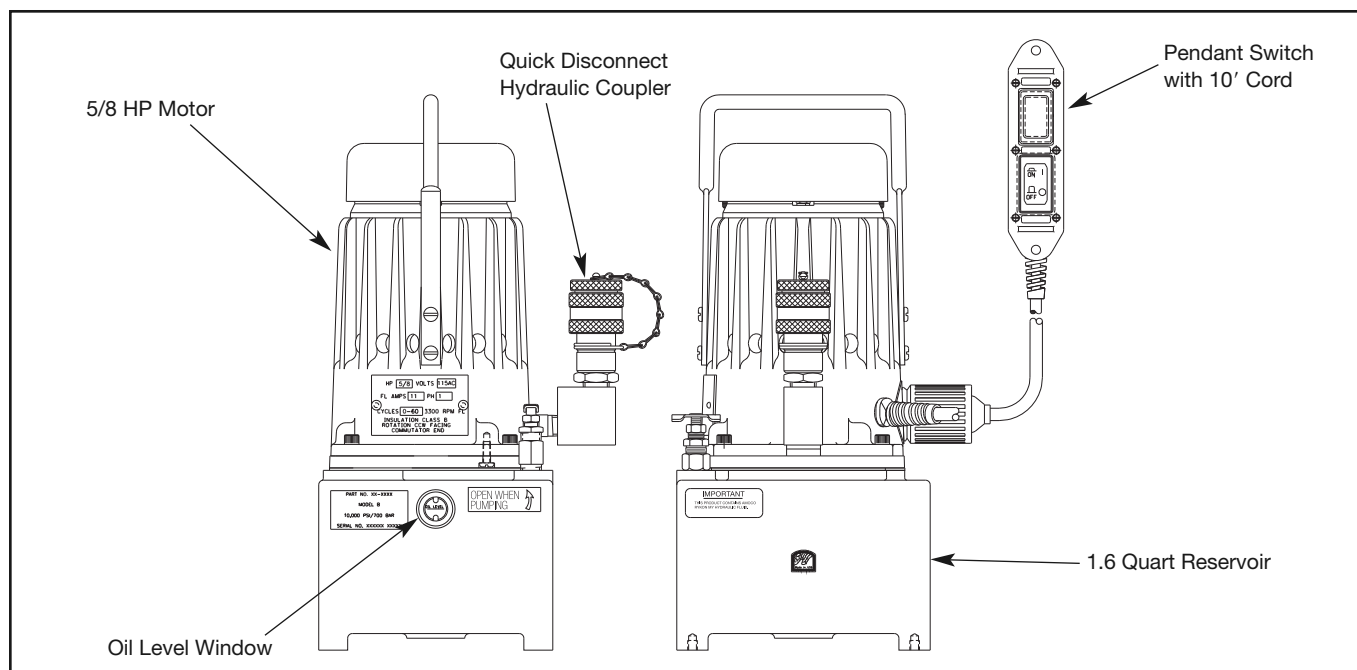
- Y34BH, Y35BH, Y35BH4, Y39BH,
- Y45, Y46, Y46C, Y750BHXT,
- Y750CBHXT, Y644MBH,
- Y4PC834MBH, Y81KFTMBH, Y60BHU,
- RHCC129ACSR, RHCC245CUAL

#### ACCESSORIES

- Catalog Number:** YAC-CASE  
Steel carrying case with handle and locking latch.

The BURNDY® Y10AC9OEM is an additional electric hydraulic pump offering that comes equipped with a foot switch and “jog-and-hold” feature. Keep both hands on the connection with the Y10AC9OEM pump kit. For further details please contact customer service.

- Convenient 115V AC electric powered motor.
- Saves time with quick disconnect hydraulic fitting.
- Sealed electric pendant switch.
  - ◇ Easy operation with durable remote pendant switch with 10-foot cord.
- 5-year limited warranty.



**EPP10 AND EPP6**

**EPP Series**  
**Electric/Hydraulic Pump**

Hydraulic Output Pressures  
of 10,000 PSI and 6,000 PSI

The lightweight and durable EPP10 electric/hydraulic pump is for use with all BURNDY® HYPRESS™ remote heads and cutters requiring 10,000 PSI operating pressure. Both the EPP10 and the EPP6 are equipped with a built-in, factory set pressure relief valve. An audible “pop” and recycling of the pump and relaxing of the hose, signals completion of the crimping/cutting cycle. Both pumps are supplied with a durable hand-held electric pendant switch, for remote operation of the unit, and have a manual selection switch mounted for operation of the unit at the pump. The operator can select which method is best suited for the application.

An optional carry/shipping case can be ordered. All EPP Series pumps have been life cycle tested to over 100,000 cycles without failure, and are warranted to be free of defects in materials and workmanship for five (5) years when properly maintained and operated.



**FEATURES**

- Lightweight.
- Small size.
- Factory set relief valve.
- 100,000 (+) life cycles.
- Sealed electric pendant switch.

**BENEFITS**

- High quality crimps are achieved with built in, factory set pressure release valve and audible recycling of pump to signal completion of crimp cycle.
- Easy to lift, carry and transport tool around job site with lightweight body and handle.
- Convenient 115 V-AC electric powered motor.
- Durable remote pendent switch.
- Easy operation controlled with pendent switch, or manual switch.
- Saves time with quick disconnect hydraulic fitting.
- Long durable life expectancy with lightweight cast aluminum reservoir body.
- 5-year limited warranty.

**SPECIFICATIONS**

- Motor:** 115 V-AC/60 Hz  
1/2 HP @ 3450 RPM
- Maximum current draw:** 12.5 amperes
- Reservoir volume:** 2 qts.
- Height:** 16"
- Base:** 6" × 8"
- Weight:** 30 lbs.

**FOR USE ON**

- EPP10** 10,000 Y34BH, Y35BH, Y35BH-4, Y39BH, Y45, Y46, Y46C, Y60BHU, 750BH, Y750BH-2, Y644MBH, RHCC Series Cutters
- EPP6** 6,000 Y35L, Y28B

**ACCESSORIES**

Cat. No. **EPPCASE-1**  
Steel carrying case with handle and locking latch.

## EPAC10, EPAC8, AND EPAC6

### EPAC Series Electric/Hydraulic Pump, Air Control

Hydraulic Output Pressures of 10,000 PSI, 8,800 PSI, and 6,000 PSI

The EPAC10, EPAC8, and EPAC6 electrically driven hydraulic pumps feature exclusive automatic or manual “jog and hold” operation control provided by a unique air control switch, which provides the safest operation method of any pump available. All EPAC’s are remotely controlled by an improved air control switch which electrically isolates the operator from the unit, and can be operated by either hand or foot activation. A three (3) position toggle switch mounted on the control box allows the operator to select either full automatic, off, or manual operation.

The automatic mode advances the remote tool into a “hold” position without crimping the connector so the operator can inspect the orientation before completing the crimp. Once the crimp is completed, the pump automatically turns the pump off, allowing the retraction of the remote tool and resets itself for the next operation.

The manual position allows the operator to jog the tool forward without the tool ram retracting. To retract the tool prior to completing the crimp, turn the control switch to “off,” the pump will stop and the tool will retract. In the manual mode the pump advances only while the control is being depressed. To complete a crimp, squeeze and hold the air control switch until the pump reaches the pre-set pressure and shuts off.

The EPAC Series of electrically driven hydraulic pumps incorporate a heavy-duty roll cage design that is both rugged and portable. All EPAC Series pumps have been life cycle tested to over 100,000 cycles without failure, and are warranted to be free of defects in material and workmanship for five (5) years when properly maintained and operated.



## SPECIFICATIONS

<b>Motor:</b>	1/2 HP 115/230 V-AC, 60 Cycle
<b>Maximum current draw:</b>	10 amperes
<b>Reservoir volume:</b>	8 quarts max., 2 quarts min.
<b>Height:</b>	17-1/2"
<b>Base:</b>	11-3/4" × 18-1/2"
<b>Dry weight:</b>	68 lbs. (82 lbs. w/max. fluid)
	(1/2 Hp @ 3450 RPM)

## FOR USE ON

<b>EPAC10</b>	10,000	Y34BH, Y35BH
<b>EPAC-8</b>	8,800	Y48BH
<b>EPAC-6</b>	6,000	Y35L

## FEATURES

- Roll cage
- 3 position switch and control box
- Factory set output pressure
- Quick disconnect hydraulic coupler
- Oil level window
- 8 quart reservoir

## BENEFITS

- Permits final inspection of connector before completing crimp cycle.
- Extra supply hydraulic fluid 8-quart reservoir.
- Full automatic or manual “Jog and Hold” cycles.
- Operator safety with power loss “smart circuit,” freezes unit in event of power disruption.
- Method of operation desired is permitted with 3-position selection switch.
- Safety is provided against hazardous shock with airbulb actuator and air line.
- Saves time with quick disconnect hydraulic fitting.
- Windows allows easy inspection of proper oil level.
- High quality crimps are achieved with built-in factory set pressure release valve.
- 5-year limited warranty.



**EP10, EP10-2, EP8,  
AND EP6**

**EP SERIES ELECTRIC/  
HYDRAULIC PUMPS**

Hydraulic Output Pressures  
of 10,000 PSI, 8,800 PSI,  
and 6,000 PSI

Electrically driven hydraulic pumps are supplied with a durable, hand-held electric pendant switch that remotely controls the pump and matches the output requirements of all HYPRESS™ remote heads and cutters. Each pump is equipped with a built-in, factory set, pressure relief valve. An audible “pop” and recycling of the pump and relaxing of the hose, signals completion of the crimping/cutting cycle.

All EP series pumps are supplied with 115/230 - 220/230 voltage, 60/50 hertz, 1/2 horsepower motor and can be wired for use with any electric power source worldwide. A three prong, grounded plug is wired standard on the units. All EP Series pumps have been life cycle tested to over 100,000 cycles without failure, and are warranted to be free of defects in materials and workmanship for five (5) years when properly maintained and operated.



**SPECIFICATIONS**

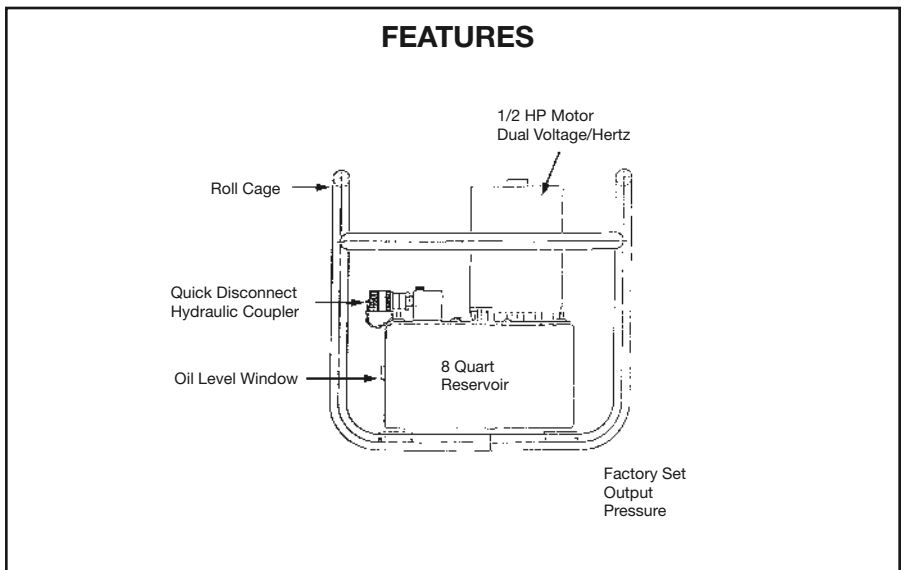
- Motor:** 1/2 HP 115/230 V-AC, 60 cycle
- (EP\*\*-2 versions): 1/2 HP 220/230 V-AC, 50 cycle
- Maximum current draw:** 10 amperes
- Reservoir volume:** 8 quarts max., 2 quarts min.
- Height:** 17-1/2"
- Base:** 11-3/4" × 18-1/2"
- Dry weight:** 68 lbs. (86 lbs. with max. fluid)
- (1/2 Hp @ 3450 RPM)

**BENEFITS**

- Provides fast sure pump action plus a long life expectancy.
- It's portable. Roll cage allows easy moving on the job site.
- Durable 1/2 HP dual voltage motor.
- Extra supply of hydraulic fluid with 8 quart reservoir.
- Saves time with quick-disconnect hydraulic fitting.
- Easy operator control is provided with remote pendant switch.
- Easy inspection of proper oil level is provided by see through window.
- High quality crimps are achieved with built-in, factory set, pressure release valve and audible recycling of pump which signals completion of crimp.
- 5-year limited warranty.

**FOR USE ON**

<b>EP10</b>	10,000	Y34BH, Y35BH, Y35BH-4,
<b>EP10-2</b>		Y39BH, Y45, Y46, Y46-C, Y60BHU, Y750BH, Y750BH-2, RHCC Series Cutters
<b>EP8</b>	8,800	Y48BH
<b>EP6</b>	6,000	Y35L



## EP10-1HP AND EP10-1HP-2

### EP-1HP SERIES ELECTRIC/ HYDRAULIC PUMPS

Hydraulic Output Pressures  
of 10,000 PSI

Heavy duty electrically driven hydraulic pumps are supplied with a durable, hand-held electric pendant switch that remotely controls the pump and matches the output requirements of all HYPRESS™ remote heads and cutters. Each pump is equipped with a built-in, factory set, pressure relief valve. An audible “pop” and recycling of the pump and relaxing of the hose, signals completion of the crimping/cutting cycle.

All EP-1HP series pumps are supplied with 115/230 - 220/230 voltage, 60/50 hertz, 1 horsepower motors and can be wired for use with any electric power source worldwide. A three prong, grounded plug is wired standard on the units. All EP-1HP Series pumps have been life cycle tested to over 100,000 cycles without failure, and are warranted to be free of defects in materials and workmanship for five (5) years when properly maintained and operated.



### FEATURES

- Heavy duty design.
- Roll cage.
- Quick disconnect hydraulic coupler.
- Oil level window.
- 8 quart reservoir.
- Factory set output pressure.
- 1 HP motor dual voltage/hertz.

### BENEFITS

- Provides fast sure pump action plus a long life expectancy.
- Its portable roll cage allows easy moving on the job site.
- Strong durable motor provided with (1) H.P. dual voltage design.
- Extra supply of hydraulic fluid with 8 quart reservoir.
- Saves time with quick-disconnect hydraulic fitting.
- Easy operator control is provided with remote pendant switch.
- Easy inspection of proper oil level is provided by see through window.
- High quality crimps are achieved with built-in, factory set, pressure release valve and audible recycling of pump which signals completion of crimp.
- 5-year limited warranty.

### SPECIFICATIONS

- Motor:** 1 HP 115/230 V-AC, 60 cycle
- (EP\*\*-2 versions):** 1/2 HP 220/230 V-AC, 50 cycle
- Maximum current draw:** 10 amperes
- Reservoir volume:** 8 quarts max., 2 quarts min.
- Height:** 17-1/2"
- Base:** 11-3/4" × 18-1/2"
- Dry weight:** 68 lbs. (86 lbs. with max. fluid)
- (1/2 Hp @ 3450 RPM)

### FOR USE ON

- EP10-1HP** 10,000 Y34BH, Y35BH, Y35BH-4, Y39BH, Y45, Y46, Y46-C, Y60BHU, Y750BH, Y750BH-2, RHCC Series Cutters
- EP10-1HP-2**

**GP10**

**GP Series Gasoline Engine Driven Hydraulic Pump**

Hydraulic Output Pressures of 10,000 PSI

The GP series gasoline engine driven hydraulic pump is a heavy-duty design that is rugged and portable. Supplied with a four (4) H.P. engine, the pump operates all BURNDY® remote compression heads and cable cutters.

All GP style pumps have a built-in, factory pre-set, automatic pressure release overload valve with a definite pulsing and recycling to signal the completion of a crimp. The manual control valve allows user to “Jog and Hold” due to the unique check valve roll design that keeps pressure in the output line until retracted.



**Specifications**

- Engine:** 4 H.P., 4 cycle
- Reservoir volume:** 2 gallons (8 qts.)
- Pump height:** 19-3/4"
- Pump width:** 13"
- Pump length:** 18"
- Overall height:** 22-1/4"
- Overall width:** 16"
- Overall length:** 21"
- Pump and motor dry weight:** 64-1/4 lbs.
- Overall dry weight:** 77-3/4 lbs.

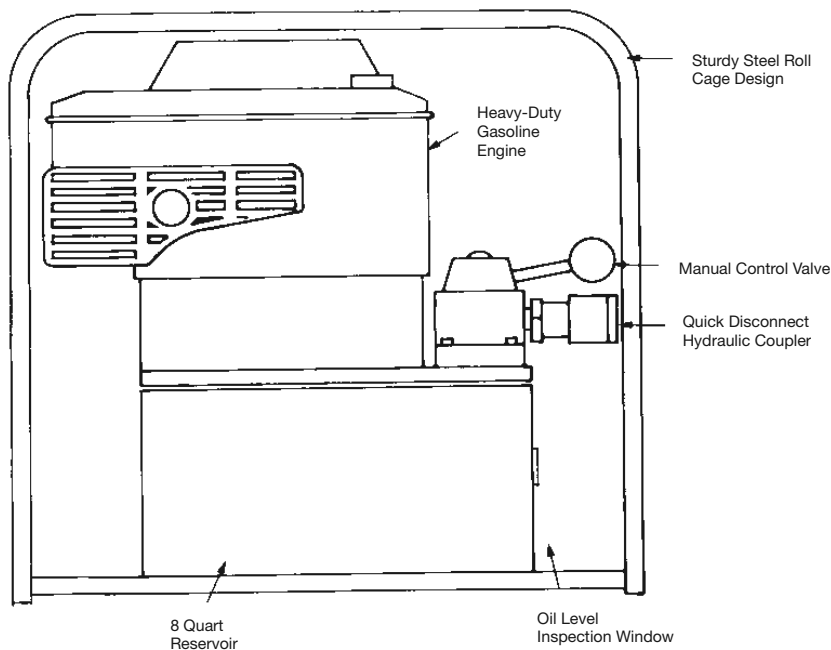
**FOR USE ON**

Pump	PSI	Hydraulic Tools and Cutter
GP10	10,000	Y34BH, Y35BH, Y35BH-4, Y39BH, Y45, Y46, Y46C, Y60BHU, Y60BHU-D, Y750BH, Y750BH-2, RHCC Series Cutters

**BENEFITS**

- Portable pump with sturdy steel roll cage.
- Durable heavy-duty four (4) H.P. engine for all HYPRESS™ applications and long life expectancy.
- Manual control valve permits easy control of crimping or cutting operations.
- Fast hose assembly with quick disconnect pressure matched hydraulic couplers.
- Ample hydraulic capacity with (8) quart reservoir.
- 5-year limited warranty.

**FEATURES**



**HYDRAULIC HOSES**

**NON CONDUCTIVE HOSES\***



**10,000 PSI**

- | <b>Cat. No.</b>    | <b>Description</b>  |
|--------------------|---|
| <b>PT 29900-10</b> | 10' - 3/16" diameter - non conductive hose with stackable couplers (male/female) - orange |
| <b>PT 29900-15</b> | 15' - 3/16" diameter - non conductive hose with stackable couplers (male/female) - orange |
| <b>PT 29900-25</b> | 25' - 3/16" diameter - non conductive hose with stackable couplers (male/female) - orange |
| <b>PT 29901-10</b> | 10' - 1/4" diameter - non conductive hose with stackable couplers (male/female) - orange  |
| <b>PT 29901-15</b> | 15' - 1/4" diameter - non conductive hose with stackable couplers (male/female) - orange  |
| <b>PT 29901-25</b> | 25' - 1/4" diameter - non conductive hose with stackable couplers (male/female) - orange  |

**Note:** 1/4" diameter hose provides higher flow rate for faster ram movement.

\* For proper care and maintenance of hydraulic hoses, consult the "Hydraulic Hose Care" manual, Form No. 7828

**NON CONDUCTIVE HOSES\***



**6,000 PSI**

- | <b>Cat. No.</b>    | <b>Description</b>   |
|--------------------|--|
| <b>PT 29902-10</b> | 10' - non conductive hose with stackable couplers (male/female) - orange |
| <b>PT 29902-15</b> | 15' - non conductive hose with stackable couplers (male/female) - orange |
| <b>PT 29902-25</b> | 25' - non conductive hose with stackable couplers (male/female) - orange |
| <b>PT 29074-1</b>  | Non conductive hose carrying bag   |

\* For proper care and maintenance of hydraulic hoses, consult the "Hydraulic Hose Care" manual, Form No. 7828

**CONDUCTIVE HOSES\***



**10,000 PSI**

- | <b>Cat. No.</b> | <b>Description</b>  |
|-----------------|---|
| <b>PT 91</b>    | 8' - steel braided hose with steel spring reinforced ends. Stackable couplers (male/female) - Black. No electrical rating. DO NOT use on energized conductor. |

**8,800 PSI**

- | <b>Cat No.</b> | <b>Description</b>  |
|----------------|---|
| <b>PT 76</b>   | 8' - steel braided hose with steel spring reinforced ends. Stackable couplers (male/female) - Black. No electrical rating. DO NOT use on energized conductor. |

\* For proper care and maintenance of hydraulic hoses, consult the "Hydraulic Hose Care" manual, Form No. 7828.



**Do not attempt to repair or recouple the hose yourself!**

**ACCESSORIES**



**PT 29074-1** Insulated hose carrying bag  
Designed to provide protection and cleanliness of non-conductive hoses. Accommodates 100 ft. of non-conductive coiled to 17-1/2" O.D. and 3-3/4" wide. Maximum carrying capacity: 10 lbs.



Adjustable Head Grip For joining HYPRESS™ heads to universal hot sticks  
**PT 29075** (for Y35L)  
**PT 29402-1** (for Y35BH)  
**PT 10128** (for Y46)



**DIE CASES**  
**PT 29291**  
(Y750, Y35/Y39) die case for "U" -type die sets  
**PT 6545**  
(Y45 and Y46) die case for "S" and "P" -type die sets



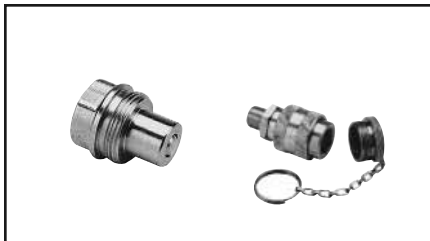
Replacement Coupler 6,000 PSI operating pressure  
**PT 29091** (male)  
**PT 29214-1** (female)



**HYFLUID™**  
**HYFLUID™ QT.**  
**HYFLUID™ GAL.**  
(available in quart and gallon size containers)  
Hydraulic fluid for BURNDY® HYPRESS™ hand operated tools:  
Y35 and Y35-2 HYPRESS™ tools  
Y39 HYPRESS™ tool  
Y750 REVOLVER HYPRESS™ tools



**ALFLUID™**  
**ALFLUID™ QT.**  
**ALFLUID™ GAL.**  
(available in quart and gallon size containers)  
Use ALFLUID™ in hand operated tools during extended use below 32 degrees.  
All weather HYDRAULIC fluid for BURNDY® pumps:  
HP hand pump  
FP foot pump  
GP gasoline pump  
EPP electric pump  
AC-3H auto/man. elect. pump  
DC-3H auto/man. elect. pump



Replacement Coupler 10,000 PSI operating pressure  
**PT 94** (male)  
**PT 93** (female)



In-line Pressure Gauge 10,000 PSI operating pressure for hydraulic pumps  
**PT 11018**

## ENFORCER™ HIW716ENF

### Hydraulic Impact Wrench Variable Torque

#### 7/16" Quick Chuck

When it comes to drilling holes or tightening and loosening hardware the ENFORCER™ hydraulic impact wrench (Catalog Number HIW716ENF) provides a powerful punch with 515 ft-lbs of torque that is unsurpassed in the 7/16" series of low pressure wrenches. Utilizing the very latest in CNC machining technology and superior materials, BURNDY® is proud to provide one of the toughest, lightweight wrenches ever offered in this class.

The ENFORCER™ wrench comes with a 7/16" Tri-ball quick chuck with a wide flange that will provide a secure hold on all standard 7/16" hex drive bits and accessories. The adjustable torque selector allows users to choose between a low setting of 200 ft-lbs and high setting of 515 ft-lbs of output torque. The dual acting spool allows the user to change from Open to Closed center operating circuits. In addition to our standard five-year limited warranty, the ENFORCER™ wrench comes with a full one-year unlimited warranty on the shaft seal.

The ENFORCER™ wrench comes equipped with an internal safety relief valve to protect the tool against hydraulic pressure spikes. This regulates pressure to the motor, and therefore allows excessive flow (flow which is beyond that which is required to do the work) to bypass back to the return side of the circuit.



### Features and Benefits

- Industry exclusive torque selector.
  - ◇ Dual torque selector spool allows users to switch between 200 and 515 ft-lb torque settings.
- 7/16" Tri-ball quick chuck.
  - ◇ Allows users to quickly change bits, sockets or other hardware adaptors.
- CNC Machined billet aluminum.
  - ◇ Provides superior strength, reliability and makes for the lightest tool in its class. Also provides for tighter tolerancing to ensure higher quality.
- Cartridge style valves.
  - ◇ Provides for greater accuracy and more economical servicing
- Dual spool operation.
  - ◇ Allows tool to be used in either an OPEN or CLOSED center hydraulic system.

### SPECIFICATIONS

Chuck Type: 7/16" Quick Change  
 Optimal Pressure: 750-2000 PSI  
 Flow Range: 4-12 GPM  
 Optimal Flow Range: 4-8 GPM  
 Operation: Open/Closed option  
 Torque: 515 ft-lbs  
 Weight: 5.95 lbs  
 Length: 7.80 in.  
 Height: 8.90 in.  
 Width: 3.10 in.

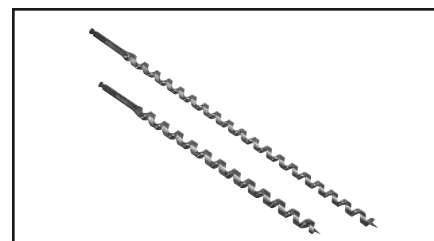
### ACCESSORIES

Cat. No.	Description
HIW716ENFTGKIT	Trigger guard assembly kit
HIW716ENFTG	HIW716ENF wrench provided with a factory installed - HIW716ENFTGKIT
LPHTADPMMOP66	Male to Male adaptor for use with couplers listed below *(Qty. 2)
LPHTHTMANOSE66	Male Coupling 3/8" NPT *(Qty. 1)
LPHTHTMABODY66	Female Coupling 3/8" NPT *(Qty. 1)
LPHTHOSNCR66668	3/8" x 8 Ft. Hose Set *(Qty. 1)

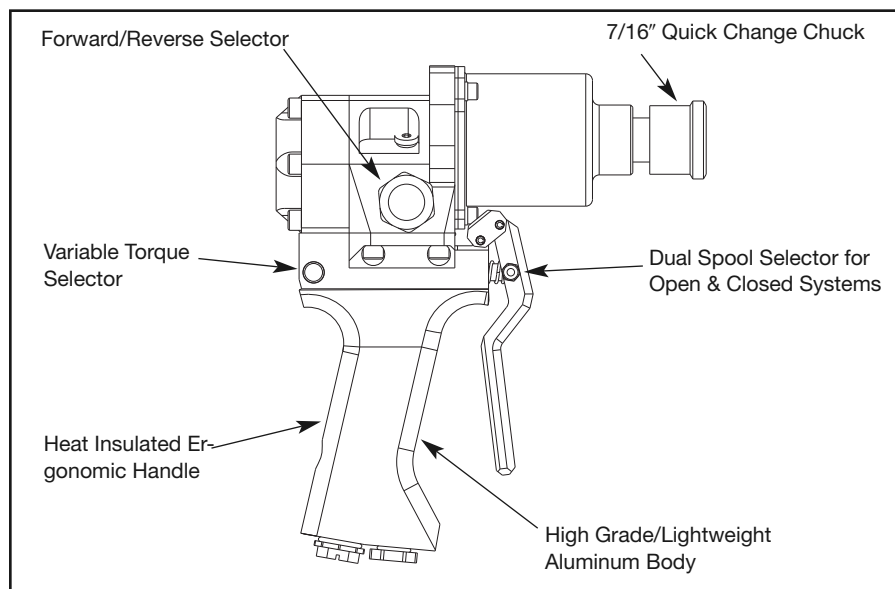
\*(Recommended quantity for use with HIW716ENF.)



The picture above shows the HIW716ENF model with trigger guard, adaptors, and couplers as listed under Accessories.



See our Dominator Drill Bits on page 96 in the Tooling Catalog.



## HIW-716R1

### Impact Wrench

7/16" Quick Chuck

#### Features and Benefits

- Gerotor motor has a lifetime warranty and greater efficiency with longer life than gear type motor tools
- High torque output provides unmatched power, yet controllable, with 500 ft-lbs of torque @ 7 GPM
- Dual action for Open or Closed center operation
- Innovative 3 part design allows tool sub-assemblies to be quickly removed/replaced if service is required.
- 7/16" Tri-ball Quick Chuck accommodates standard 7/16" hex drive bits and accessories
- Eyelet Kit included
- 5-year limited warranty
- Optional trigger guard kit **HIW71612TGKIT**



#### SPECIFICATIONS

Specifications	Description
<b>Chuck Type:</b>	7/16" Quick Chuck
<b>Pressure:</b>	1000-2000 psi (70-140 BAR)
<b>Flow:</b>	4-7 GPM (15-27 LPM)
<b>Operation:</b>	Open/Closed center
<b>Torque:</b>	450 ft-lbs @ 6 GPM
<b>Motor:</b>	Gerotor
<b>Max. Back Pressure:</b>	250 psi (17 BAR)
<b>Weight:</b>	7.25 lbs. (3.29 kg)
<b>Length:</b>	9 in. (23 cm)
<b>Height:</b>	9 in. (23 cm)
<b>Width:</b>	3 in. (7.6 cm)
<b>Tool Ports:</b>	#6 SAE O-Ring (F)



Cat.# **HIW71612TGKIT**

Trigger Guard

## HIW716VTR1

### Variable Impact Wrench

#### Features and Benefits

- Adjustable torque setting allows user to select proper power and torque for any job application
- Torque is controlled by dumping hydraulic flow back to tank, therefore, no heat build-up or over-taxing of hydraulic power source
- Gerotor type motor
- Lightweight—Most powerful wrench in the industry
- Dual action spool (Open/Closed center operation) allows the user to quickly change from Open to Closed Center circuits
- 7/16" Tri-ball Quick Chuck with wide flared flange accommodates standard 7/16" hex drive bits and accessories. Tri-Ball design provides a secure hold on attachments
- Eyelet Kit included
- 5-year limited warranty
- Optional trigger guard kit **HIW71612TGKIT**



#### SPECIFICATIONS

Specifications	Description
<b>Chuck Type:</b>	7/16" Quick Chuck
<b>Pressure:</b>	1000-2000 psi (70-140 BAR)
<b>Flow:</b>	4-7 GPM (15-27 LPM)
<b>Operation:</b>	Open/Closed center
<b>Torque:</b>	Adjustable 200-500 ft-lbs
<b>Max. Back Pressure:</b>	250 psi (17 BAR)
<b>Weight:</b>	7.25 lbs. (3.29 kg)
<b>Length:</b>	9 in. (23 cm)
<b>Height:</b>	9 in. (23 cm)
<b>Width:</b>	3 in. (7.6 cm)
<b>Tool Ports:</b>	#6 SAE O-Ring (F)

## KOMPRESSOR™ LPHY750XT AND LPHY750CXT

Remote Operated 12 Ton  
Low Pressure Hydraulic  
Compression Tool

The BURNDY® LPHY750XT KOMPRESSOR™ is a lightweight, compact, low pressure, hydraulic 12 ton crimping tool. The LPHY750XT is double acting for hydraulic ram advance and retract. The KOMPRESSOR™ also has an industry exclusive spring back up for ram retraction in case of loss of hydraulic pressure. The LPHY750XT comes equipped with an ergonomic handle designed for better balance, which helps lessen fatigue to the operator.

The LPHY750XT KOMPRESSOR™ features the BURNDY® 750XT tool head with a 1.65" jaw opening capable of using all industry standard BURNDY® "U" dies. The LPHY750XT also has an industry exclusive visual crimp indicator to assure the operator of a properly completed crimp. The LPHY750XT also has an audible crimp indicator.

The LPHY750XT is powered directly from open center or closed center hydraulic tool circuits present on most utility line trucks or can be operated from individual low-pressure hydraulic power units. The LPHY750XT can be switched from open center to closed center operation with a simple external adjustment. The LPHY750XT does not require any additional tooling such as boosters, intensifiers, or hand controls in the bucket. Five-year limited warranty.



### FEATURES

- LPHY750CXT covered version available. (See picture below.)
- Visual and audible crimp indicator assures properly completed crimps with 12 tons of force.
- Covers a wide range of applications with its 1.65" jaw opening.
- 350° head rotation for versatile tool head positioning allowing the user to get into tight areas easier.
- Uses all standard BURNDY® "U" dies.
- Operates on open center or closed center hydraulic systems.
- Ergonomic handle design for better balance and helps lessen fatigue.
- Double acting tool for hydraulic ram advance and retraction.
- Spring back up for ram retraction if hydraulic system shuts down.
- 5-year limited warranty.

### SPECIFICATIONS

<b>Flow Rate:</b>	3 - 9 GPM (11 - 34 LPM)
<b>Operating Pressure:</b>	1,500 - 2,500 psi (103 - 172 BAR)
<b>Force Developed:</b>	12 Tons
<b>Weight:</b>	21 lbs. (9.5 kg)
<b>Overall Length:</b>	20.65 in. (524 mm)
<b>Width:</b>	15 in. (381 mm)
<b>Jaw Opening:</b>	1.65 in. (42 mm)
<b>Max. Back Pressure:</b>	250 psi (17 BAR)
<b>Crimp Time:</b>	Approximately 2 seconds

### FOR USE ON

- **Tension Sleeves**
  - Copper #8 sol - 500 kcmil
  - Aluminum #8 sol - 587.2 kcmil
  - ACSR #4 - 556.5 kcmil
- **Taps**
  - Copper #14 sol - 500 kcmil
  - Aluminum #8 sol - 500 kcmil
- **Aerial Cable**
  - Copper #6 - 500 kcmil
- **Terminals and Splices**
  - Copper #8 - 750 kcmil
  - Aluminum #8 - 750 kcmil
  - ACSR #4 - 556.5 kcmil
- **HYGROUND®**
  - Copper #8 - 500 kcmil
  - Ground Rods 1/2" - 1" diameter

### ACCESSORIES

#### Hoses:

Cat No. **LPHTHOSNCR66668OP**

Direct connect 8' non-conductive hose set

Cat No. **LPHTHOSNCR666610OP**

Direct connect 10' non-conductive hose set

\*Cat No. **LPHTHOSNCR66668**

8' non-conductive hose set

\*Cat No. **LPHTHOSNCR666610**

10' non-conductive hose set

#### Hydraulic Fittings:

Cat No. **LPHTHTMANOSE66**

Male coupler 3/8" HTMA

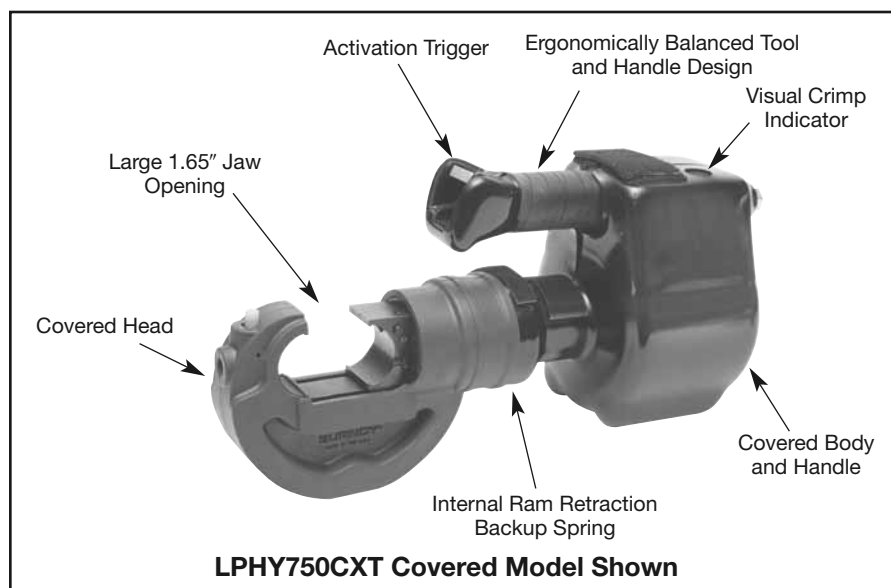
Cat No. **LPHTHTMABODY66**

Female coupler 3/8" HTMA

Cat No. **LPHTADPSMFOP66**

Swivel Adapter

\*These hoses are used with the LPHTADPSMFOP66 swivel adapter.





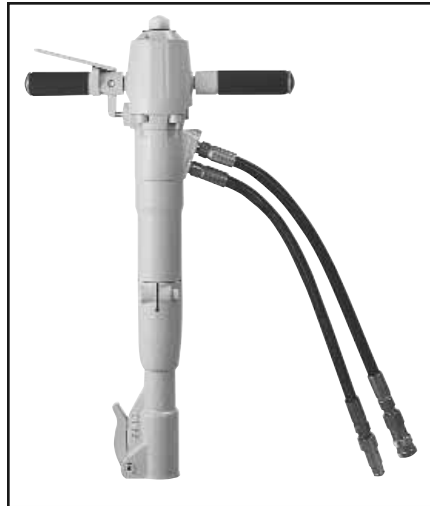
## HBR40

### Hydraulic Breaker

Light and Medium Duty

#### Features and Benefits

- Light to Medium Duty breakers powerful enough for most breaking applications.
- Control trigger built into handle.
- Provided with 18" braided whip hoses (order HTMA couplers separately).
- Standard tool attachment mechanism allows use of all standard tool bits.
- No compressed air exploding into atmosphere spreading dirt, dust and noise.
- Hydraulic cushioning of return stroke reduces operator shock and fatigue.
- Hand grips at comfortable working height.
- Hydraulic operation provides continuous lubrication of all moving parts.
- 5-year limited warranty.



#### SPECIFICATIONS

- Flow:** 4-7 GPM (15-27 LPM)
- Optimum Flow:** 4 GPM (15 LPM)
- Pressure:** 1200-2000 psi (85-140 BAR)
- Max. Back Pressure:** 150 psi (11 BAR)
- Weight:** 40-48 lbs.
- Length:** 25"
- Tool Steel Capacity:** 1" × 4-1/4"
- Performance:** (1500 BPM) 45-55 lb. class breakers
- Whip Hoses:** 18" with 3/8" NPT fittings

## HBR66

### Hydraulic Breaker

Medium and Heavy Duty

#### Features and Benefits

- Medium to Heavy Duty breakers suitable for extended periods of operation.
- Control trigger built into handle.
- Provided with 18" braided whip hoses (order HTMA couplers separately).
- Standard tool attachment mechanism allows use of all standard tool bits.
- No compressed air exploding into atmosphere spreading dirt, dust and noise.
- Hydraulic cushioning of return stroke reduces operator shock and fatigue.
- Hand grips at comfortable working height.
- Hydraulic operation provides continuous lubrication of all moving parts.
- HBR67HF capable of handling 7-10 GPM.
- 5-year limited warranty.



#### SPECIFICATIONS

- Flow:** 4-7 GPM (15-27 LPM)
- Optimum Flow:** 4 GPM (15 LPM)
- Pressure:** 1200-2000 psi (85-140 BAR)
- Max. Back Pressure:** 150 psi (11 BAR)
- Weight:** 50-67 lbs.
- Length:** 27" to 35"
- Tool Steel Capacity:** 1-1/4" × 6"
- Performance:** 60-80 lb. class series
- Whip Hoses:** 18" with 3/8" NPT fittings

### HTP3, HP3

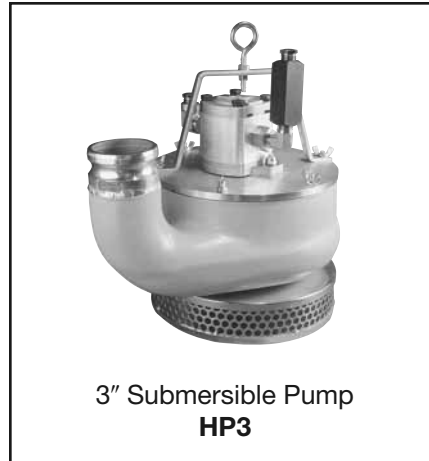
#### 3" Submersible Pumps

The HP3 and HTP3 hydraulic submersible pumps are designed to reliably pump large volumes of liquids and solids (per specifications). HP and HTP models are durable and offer a very high performance-to-weight ratio. These pumps are self-lubricating, utilizing the hydraulic fluid in a closed loop to ensure consistent, reliable lubrication. The units can be run dry as they do not require water for cooling purposes whether submersed or not.

The high output and compact nature of these pumps make them ideal for pumping out vaults, trenches, ditches, ponds, tanks, pools, etc. in a multitude of industries including agriculture, construction, mining, utilities, public works, departments of transportation, and more.

#### Features and Benefits

- Totally submersible
- Pumps solids without blockage or damage
- Self lubricating design
- Cast aluminum pump body
- Double-sealed hydraulic motor shaft protects hydraulic source from water
- Thumb screw secured lid so cover is easy to remove without special tools
- Provided with whip hoses
- High impact, abrasion resistant liner
- 5-year limited warranty



3" Submersible Pump  
**HP3**

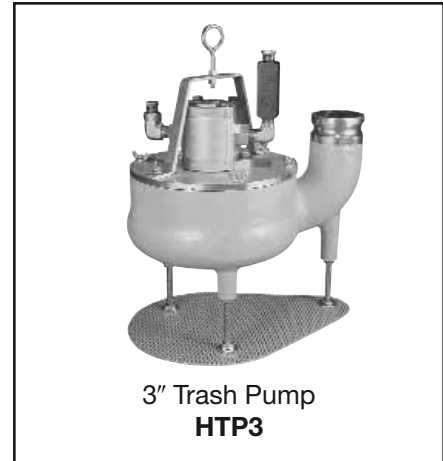
#### SPECIFICATIONS

##### HP3

- Flow:** 7-10 GPM (27-38 LPM)
- Pressure:** 1000-2000 PSI (70-140 BAR)
- Weight:** 36 lbs. (16.34 kg)
- Pump capacity:** 750 GPM (2800 LPM)
- Operation:** Open/Closed center
- Discharge size:** 3" outlet (3" Male Cam-Lock)
- Maximum lift:** 50 ft. (21.34 m)
- Motor:** Gear Motor

#### ACCESSORIES

Cat. No.	Description
HOSE325	25 ft. long hose
HOSE350	50 ft. long hose



3" Trash Pump  
**HTP3**

#### SPECIFICATIONS

##### HTP3

- Flow:** 7-10 GPM (27-38 LPM)
- Pressure:** 1000-2000 psi (70-140 BAR)
- Max. Back Pressure:** 250 psi (17 BAR)
- Weight:** 40 lbs. (18.16 kg)
- Pump capacity:** 500 GPM (1900 LPM)
- Operation:** Open/Closed center
- Discharge size:** 3" outlet (3" Male Cam-Lock)
- Motor:** Gear Motor
- Diameter:** 12 in (30.5 cm)
- Maximum lift:** 40 ft. (18.29 m)
- Ports:** 1/2" x 14 (#8) NPT (F)

### HP2HV (HIGH VOLUME)

#### 2" Submersible Pumps

#### Features and Benefits

- Totally submersible
- Self lubricating design
- Lightweight cast aluminum pump body
- Built-in lifting handle/eye
- Self-priming pump
- Provided with whip hoses
- Unit can run dry without damage
- HP2HV adaptable to either 2" or 2-1/2" discharge
- 5-year limited warranty



#### SPECIFICATIONS

- Flow:** 4-9 GPM
- Pressure:** 1000-2000 psi (70-140 BAR)
- Weight:** 13 lbs.
- Pump Capacity:** 340 GPM
- Operation:** Open/Closed center
- Maximum Lift:** 80 GPM @ 70 ft
- Motor:** Gerotor Motor

#### ACCESSORIES

Cat. No.	Description
HOSE2	Hose

**HPTR1 Series**

**Pole Tampers**

The HPT hydraulic pole tampers are designed to provide trouble-free service for compacting around poles, posts, footings and other objects.

The pole tamper operates best on a flow rate of 4 gal/min. Operating pressure. Force of blow, and frequency of blow will be a function of the flow rate provided. A minimum of 1000 lb/in<sup>2</sup> operating pressure is essential in order to obtain the maximum output performance.

The unique patented valving of the HPT pole tamper provides low maintenance, long life and superior handling characteristics because there is no mechanical impacting of the ram within the tamper. The oil reverses the stroke before bottoming out, preventing the tamper from hammering itself when running free between compaction strokes.

These features provide unexcelled compaction while virtually eliminating kick-back to the operator's hand.

Tamper shoes sold separately.



Pole Tamper With On/Off Valve



Pole Tamper With No On/Off Valve

**Features and Benefits**

- Available with or without On/Off control valve
- Patented valving prevents impacting of the ram within the tamper
- Stroke amplitude of 1 5/8"
- Stroke frequency of 1375 blows/min. is ideal for compacting around poles, posts, footings, and other objects
- Interchangeable heavy duty tamper shoes allows for flexibility
- 5-year limited warranty

**SPECIFICATIONS**

- Flow:** 4-10 GPM (15-38 LPM)
- Pressure:** 1000-2000 PSI (70-140 BAR)
- Max. Back Pressure:** 250 psi (17 BAR)
- Operation:** Open/Closed center
- Stroke Amplitude:** 1 5/8 in.
- Stroke Frequency:** 1375 per minute
- Tool Ports:** #6 SAE O-Ring (F)

With On/Off Valve			No On/Off Valve		
Catalog Number	Overall Length	Weight (Approx.)	Catalog Number	Overall Length	Weight (Approx.)
HPT-60-R1	60" (152 cm)	29 lbs (13 kg)	HPT-59-R1	59" (150 cm)	26 lbs. (12 kg)
HPT-72-R1	72" (183 cm)	30 lbs (14 kg)	HPT-71-R1	71" (180 cm)	28 lbs. (13 kg)
HPT-84-R1	84" (213 cm)	32 lbs (15 kg)	HPT-83-R1	83" (211 cm)	31 lbs. (14 kg)
HPT-96-R1	96" (244 cm)	34 lbs (15.4 kg)	—	—	—

**ACCESSORIES**

Tamper shoes must be ordered separately

Cat # **TS-KD**: Kidney shoe, 3" × 8"  
(7.6 × 20.3 cm)

Cat # **TS-RD**: Round shoe, 6" dia.  
(15.2 cm dia.)

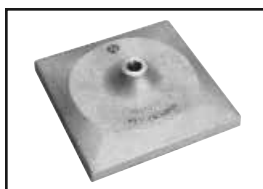
Cat # **TS-SQ**: Square shoe, 8" × 8"  
(20.3 × 20.3 cm)

Whip Hoses must be ordered separately.

Cat # **LPHTWHP-BCS66606-18** (Incl. set of [2] hoses) Stk # 002045



Kidney Shoe



Square Shoe



Round Shoe

### HHS Series

#### Hand Chain Saws

The lightweight Hydraulic Hand-held Chain Saw was designed for the ease of handling, balance and dependability. A Gerotor motor provides the hand-held chain saw with a high level of torque and horsepower for long and trouble-free operation. The handle remains cooler because no hydraulic fluid flows through the grip. An automatic chain oiler is another feature of the saw. In addition, the guide bar contains a nose sprocket for improved cutting performance and reduced wear of the guide bar. The saws are furnished with a .325 pitch anti-kick back chain. The dual spool trigger design enables operation of the tool on both open-center and closed-center systems.



#### Features and Benefits

- Gerotor type motor has lifetime warranty.
- Supplied with .325" pitch anti-kickback chain for maximum safety.
- Dual action spool quickly and easily changes from Open to Closed center operation.
- Automatic, adjustable chain oiler enables longer running time without damage to chain/bar due to lack of lubrication.
- Low RPM and high torque—minimizes saw kickback.
- Choice of 11", 13", 16" or 20" bars.
- 5-year limited warranty.

Catalog Number	Overall Length	Bar Length	Cutting Capacity	Weight (Approx.)
HHS-O/C-B11	21"	13-1/2"	11"	7-1/4 lbs.
HHS-O/C-B13	24"	15-1/2"	13"	7-1/2 lbs.
HHS-O/C-B16	27"	18-1/2"	16"	8 lbs.
HHS-O/C-B20	30"	22-1/2"	20"	8-1/2 lbs.

### HPS Series

#### Pole Chain Saws

The HPS hydraulic pole saws are designed for safety, convenience and function. The fiberglass extension provides lightweight strength reducing operator fatigue. The trigger guard helps to prevent accidental motor start. The high speed, high performance Gerotor motor enables these pole saws to tackle the toughest of pruning or clearing jobs. Pole circular saw models incorporate a nose and blade guard for stability and fewer chips thrown towards the operator. Pole chain saw models have a disk next to the sprocket to lessen the danger of a poorly adjusted chain from coming off the sprocket. In addition, the guide bar contains a self-lubricating oiling system to help reduce wear and increase performance. Non-conducting fiberglass poles tested to meet OSHA regulation 1910.269.



#### SPECIFICATIONS

##### HHS & HPS

- Flow:** 5-8 GPM (19-30 LPM)
- Pressure:** 1000-2000 psi (70-140 BAR)
- Operation:** Open/Closed center
- Motor:** Gerotor
- Chain:** .325" pitch anti-kickback
- Tool Ports:** #6 SAE O-Ring (F)
- Max. Back Pressure:** 250 psi (17 BAR)

Catalog Number	Overall Length	Handle Length	Bar Length	Cutting Capacity	Weight (Approx.)
HPS-O/C-4-B11	73" (6'1")	48"	13-1/2"	11"	8-3/4 lbs.
HPS-O/C-4-B13	76" (6'4")	48"	15-1/2"	13"	9 lbs.
HPS-O/C-5-B11	85" (7'1")	60"	13-1/2"	11"	9-1/4 lbs.
HPS-O/C-5-B13	88" (7'4")	60"	15-1/2"	13"	9-1/2 lbs.

#### Features and Benefits

- Gerotor motor has lifetime warranty.
- Dual action spool quickly and easily changes from Open to Closed center operation.
- Automatic, adjustable chain oiler enables longer running time without damage to chain/bar due to lack of lubrication.
- .325" pitch anti-kick back chain supplied standard.
- Low RPM and high torque—minimize saw kickback.
- Choice of 11" or 13" bars.
- 5-year limited warranty.

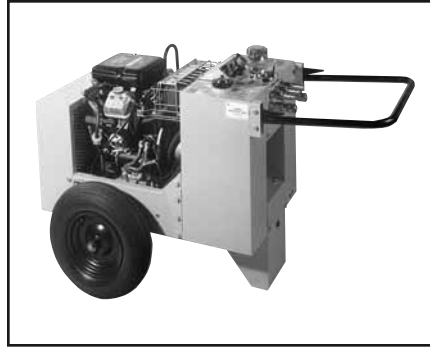
## HPP18, HPP18-2

### Hydraulic Power Pack

Cat # **HPP18** (Single Circuit)  
 Cat # **HPP18-2** (Dual Circuit)

The HPP18-2 Hydraulic Power Pack is designed to provide hydraulic flow and pressure for operation of HTMA Type I and Type II hydraulic tools. The power pack is equipped with an 18 HP gas engine. The power packs are all equipped with air-to-oil coolers with suction fan mounted to the power shaft on the engine. The fuel and hydraulic systems are self-contained with the required reservoir, filtration and level indicators.

The hydraulic system consists of a hydraulic system fluid reservoir; filter assembly, single (HPP18) or tandem pump (HPP18-2), and a wide variety of flow controls. The filter element is a "spin on" type element for easy replacement. The filter housing has a pressure bypass valve to divert fluid directly to the tank in the event of a restricted filter. Only the hydraulic pumps are called out in the parts section of this manual. Pressure hoses from the pumps are connected directly to a control module, which contains a relief valve, a flow control valve, and pressure and return ports. 5 gallon hydraulic reservoir for cooler oil operation.



### Features and Benefits

- Briggs & Stratton 18 HP VANGUARD gas engine (twin OHV cylinders.)
- Integral oil cooling system with fully shrouded fan and changeable oil filter.
- Fold away locking handle for easy job site portability.
- Electronic ignition with key start, 12 Volt battery.
- Features manual choke and an adjustable throttle mechanism with lock/adjustment.
- Variable GPM output valve provides fluid flow from 1-10 GPM @ 2,000 psi (HPP18 only).
- HPP18-2 is a dual circuit unit: (1) 10 GPM or (2) 5 GPM.
- HPP18-2 has the ability to operate two (2) 5 GPM tools simultaneously or one (1) tool up to 10 GPM.

### SPECIFICATIONS

#### HPP18

**Output/Flow:** 1 @ 2,000 PSI @ 1-10 GPM  
 (138 Bar @ 0-38 LPM)  
**Dry Weight:** 233 lbs. (105.6 kg)  
**Length:** 35" (88.9 cm)  
**Width:** 29" (73.6 cm)  
**Height:** 32" (81.2 cm)  
**Motor:** 18 Hp @ 3500 RPM

#### HPP18-2

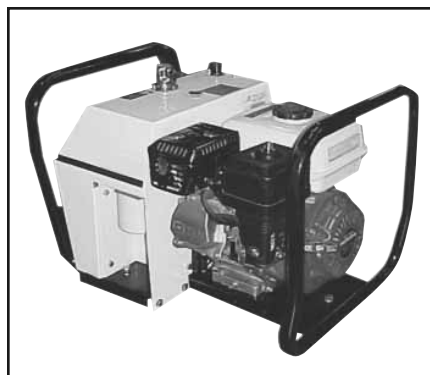
**Output/Flow** 2 @ 2,000 PSI @ 5 GPM  
 or 1 @ 2,000 PSI @ 10 GPM  
**Dry Weight:** 233 lbs. (105.6 kg)  
**Length:** 35" (88.9 cm)  
**Width:** 29" (73.6 cm)  
**Height:** 32" (81.2 cm)  
**Motor:** 18 Hp @ 3500 RPM

## HPP5

### Hydraulic Power Pack

### Features and Benefits

- Honda 5.5 HP engine with recoil start for reliability, ease of use and minimal maintenance.
- Lightweight and compact, weighing only 83 lbs. Easily transported and can be picked up by one person.
- Air blast oil cooler/radiator system with thermostatic control. Prevents overheating of the hydraulic oil.



- Built with a robust stainless steel frame and wheel kit. Provides outstanding protection during use and transport.
- Operating controls are basic and easy to use.

### SPECIFICATIONS

Specifications	Description
<b>Engine:</b>	Honda 5.5 Hp recoil start
<b>Operating Pressure:</b>	1450 psi
<b>Flow:</b>	5.4 GPM
<b>Dry Weight:</b>	83 lbs.
<b>Fuel Tank Capacity:</b>	1 gallon
<b>Hyd. Oil Capacity:</b>	1.25 gallons
<b>Length:</b>	20"
<b>Width:</b>	17"
<b>Height:</b>	18"

### LPHT ACCESSORIES

This is a generic sample of the more than 200 accessory items available. If you do not see what you are looking for, call us at 1-800-346-4175. BURNDY® and we will get it for you:

Catalog Number	Description
LPHT3CHISEL11418	3" Chisel, 1-1/4" hex, 18" Long
LPHTASPHALTCUT118	Asphalt Cutter, 1-1/8" hex
LPHTCLAYSPADE118	Clay Spade, 1-1/8" hex
LPHTGRDVR11458	Ground Rod Driver, 1-1/4" hex, 5/8" Rod
LPHTGRDVR11858	Ground Rod Driver, 1-1/8" hex, 5/8" Rod
LPHTMOILPT118	Moil Point, 1" hex, 18" Long
LPHTMOILPT11814	Moil Point, 1-1/8" hex, 14" Long
LPHTNARCHISEL11814	Narrow Chisel, 1-1/8" hex, 14" Long
LPHTADPMM71612	7/16" Quick Chuck Adaptor × 1/2" Square
HIW71612TGKIT	Trigger Guard for HIW-716, HIW-12
LPHTADPMMOP66	ADP Male/Male SAE #6, 3/8 NPT (2 required per tool)
<b>Auger Bits (call for many additional options)</b>	
LPHTBIT111618D	11/16" × 18" Long × 7/16 QC; Dominator
LPHTBIT111624D	11/16" × 24" Long × 7/16 QC; Dominator
LPHTBIT131618D	13/16" × 18" Long × 7/16 QC; Dominator
LPHTBIT131624D	13/16" × 24" Long × 7/16 QC; Dominator
LPHTBIT151618D	15/16" × 18" Long × 7/16 QC; Dominator
LPHTBIT151624D	15/16" × 24" Long × 7/16 QC; Dominator
<b>Hoses (call for many additional options) red or orange</b>	
LPHTHOSNCR666610	Hose - Insulated, 10 ft., 3/8 NPT, 3/8 NPT
LPHTHOSNCR66668	Hose - Insulated, 8 ft., 3/8 NPT, 3/8 NPT
LPHTHOSNCR666680P	Hose - Insulated, 8 ft., SAE #6, 3/8 NPT
LPHTHOSNCR6666100P	Hose - Insulated, 10 ft., SAE #6, 3/8 NPT
<b>Couplers (call for many additional options)</b>	
LPHTDRIPBODY66	Dripless Body - 3/8 Body, 3/8 NPT
LPHTDRIPBODY88	Dripless Body - 1/2 Body, 1/2 NPT
LPHTDRIPNOSE66	Dripless Nose - 3/8 Body, 3/8 NPT
LPHTDRIPNOSE88	Dripless Nose - 1/2 Body, 1/2 NPT
LPC38S	3/8, 3/8 NPT Flush Face Coupler Set - Body & Nose
LPC12S	3/8, 1/2 NPT Flush Face Coupler Set - Body & Nose
LPHTHTMADUSTCAPF	HTMA Dust Cap - Body
LPHTHTMADUSTCAPM	HTMA Dust Cap - Nose
<b>Sockets</b>	
LPHTSOC121/118	Dual Socket - 1/2" Drive × 1" × 1-1/8"
LPHTSOC121316/1516	Dual Socket - 1/2" Drive × 13/16" & 15/16"
LPHTSOC121	Socket - 1/2" Drive × 1"
LPHTSOC121116	Socket - 1/2" Drive × 11/16"
LPHTSOC12112	Socket - 1/2" Drive × 1-1/2"
LPHTSOC12114	Socket - 1/2" Drive × 1-1/4"
LPHTSOC12118	Socket - 1/2" Drive × 1-1/8"
LPHTSOC121188PT	Socket - 1/2" Drive × 1-1/8", 8 Point
LPHTSOC1212	Socket - 1/2" Drive × 1/2"
LPHTSOC12128PT	Socket - 1/2" Drive × 1/2", 8 Point
LPHTSOC121316	Socket - 1/2" Drive × 13/16"
LPHTSOC1213168PT	Socket - 1/2" Drive × 13/16", 8 Point
LPHTSOC12138	Socket - 1/2" Drive × 1-3/8"
LPHTSOC1215168PT	Socket - 1/2" Drive × 15/16", 8 Point
LPHTSOC121716	Socket - 1/2" Drive × 1-1/16"
LPHTSOC1217168PT	Socket - 1/2" Drive × 1-1/16", 8 Point
LPHTSOC1218PT	Socket - 1/2" Drive × 1", 8 Point
LPHTSOC1234	Socket - 1/2" Drive × 3/4"
LPHTSOC12348PT	Socket - 1/2" Drive × 3/4", 8 Point
LPHTSOC1258	Socket - 1/2" Drive × 5/8"
LPHTSOC12588PT	Socket - 1/2" Drive × 5/8", 8 Point
LPHTSOC1278	Socket - 1/2" Drive × 7/8"
LPHTSOC12788PT	Socket - 1/2" Drive × 7/8", 8 Point
LPHTSOC12916	Socket - 1/2" Drive × 9/16"
HIW12SOCSET	Socket Set - 1/2" Drive DP IMP 6 Point



## BKOM50125

### Knockout Set

For 1/2" – 1-1/4" Conduit Size

The BURNDY® Knockout Set is designed to punch holes for 1/2" – 1-1/4" conduit in distribution boxes, electrical panels and troughs.

The Knockout Set is provided with a 1-year limited warranty.



### BKOM50125 SPECIFICATIONS

Description	Weight
1/2" – 1-1/4" Knockout Set	3 lbs.

### ACCESSORIES

Components for kit listed above can be purchased separately.

### Features and Benefits

- Four-point design allows slug to drop automatically without splitting.
- Punches up to 10-gauge mild steel.
- Set includes the four most popular sizes of punches and dies packed in a sturdy storage case.
- 1-year limited warranty.

### SET INCLUDES

Catalog Number	Description	Hole	Weight
BKP500B	1/2" Punch	7/8"	.4 lb.
BKD500B	1/2" Die	7/8"	1 lb.
BKP750B	3/4" Punch	1-3/32"	.4 lb.
BKD750B	3/4" Die	1-3/32"	1 lb.
BKP1000B	1" Punch	1-11/32"	1 lb.
BKD1000B	1" Die	1-11/32"	1 lb.
BKP1250B	1-1/4" Punch	1-11/16"	2 lb.
BKD1250B	1-1/4" Die	1-11/16"	2 lb.
BKSB50B	1/2" Bearing & Drive Screw		1 lb.
BKS752B	3/4" – 2" Bearing & Drive Screw		1 lb.
BK88004	Storage Case		1.5 lb.

### BKOM152

#### Knockout Set

For 1-1/2" – 2" Conduit Size

The BURNDY® Knockout Set is designed to punch holes for 1-1/2" – 2" conduit in distribution boxes, electrical panels and troughs.

The Knockout Set is provided with a 1-year limited warranty.



#### BKOM152 SPECIFICATIONS

Description	Weight
1-1/2" – 2" Knockout Set	4 lbs.

#### ACCESSORIES

Components for kit listed above can be purchased separately.

#### Features and Benefits

- Four-point design allows slug to drop automatically without splitting.
- Punches up to 10-gauge mild steel.
- Durable storage case.
- 1-year limited warranty.

#### SET INCLUDES

Catalog Number	Description	Hole	Weight
BKP1500B	1-1/2" Punch	1-15/16"	2 lb.
BKD1500B	1-1/2" Die	1-15/16"	2 lb.
BKP2000B	2" Punch	2-3/8"	2 lb.
BKD2000B	2" Die	2-3/8"	2 lb.
BKS752B	3/4" – 2" Bearing & Drive Screw	—	1 lb.
BK88001	Storage Case	—	1.5 lb.



## BKOH2540

### Assorted Knockout Kit

For 2-1/2" – 4" Conduit Size

The BURNDY® Assorted Knockout Kit is designed to punch holes for 2-1/2" – 4" conduit in distribution boxes, electrical panels and troughs.

The Knockout Kit is provided with a 1-year limited warranty.



### BKOH2540 SPECIFICATIONS

Description	Weight
2-1/2" – 4" Knockout Kit	22 lbs.

### ACCESSORIES

Components for kit listed above can be purchased separately.

### Features and Benefits

- Expand capability of 1/2" – 2" sets.
- Four-point design allows slug to drop automatically without splitting.
- Punches up to 10-gauge mild steel.
- Packed in metal storage case.
- 1-year limited warranty.

### SET INCLUDES

Catalog Number	Description	Hole	Weight
BKP2500	2-1/2" Punch	2-7/8"	3 lb.
BKD2500	2-1/2" Die	2-7/8"	3 lb.
BKP3000	3" Punch	3-1/2"	4 lb.
BKD3000	3" Die	3-1/2"	4 lb.
BKP3500	3-1/2" Punch	4"	4 lb.
BKD3500	3-1/2" Die	4"	4 lb.
BKP4000	4" Punch	4-1/2"	4 lb.
BKD4000	4" Die	4-1/2"	4 lb.
BK88008	Metal Storage Case	—	5 lb.

### BKOW520

#### Knockout Set With Ratchet Wrench

For 1/2" – 2" Conduit

The BURNDY® Knockout Set with Ratchet Wrench is designed to punch holes for 1/2" – 2" conduit in distribution boxes, electrical panels and troughs.

The Knockout Set with Ratchet Wrench is provided with a 1-year limited warranty.



#### BKOW520 SPECIFICATIONS

Description	Weight
1/2" – 2" Knockout Set with Ratchet Wrench (BKW52)	12 lbs.

#### ACCESSORIES

Components for the kit listed above can be purchased separately.

#### Features and Benefits

- Four-point design allows slug to drop automatically without splitting.
- Punches up to 10-gauge mild steel.
- Set includes ratchet wrench, six sizes of punches and dies, and two drive screws; all packaged in a rugged storage case.
- 1-year limited warranty.

#### SET INCLUDES

Catalog Number	Description	Hole	Weight
BKP500B	1/2" Punch	7/8"	.4 lb.
BKD500B	1/2" Die	7/8"	1 lb.
BKP750B	3/4" Punch	1-3/32"	.4 lb.
BKD750B	3/4" Die	1-3/32"	1 lb.
BKP1000B	1" Punch	1-11/32"	1 lb.
BKD1000B	1" Die	1-11/32"	1 lb.
BKP1250B	1-1/4" Punch	1-11/16"	2 lb.
BKD1250B	1-1/4" Die	1-11/16"	2 lb.
BKP1500B	1-1/2" Punch	1-15/16"	2 lb.
BKD1500B	1-1/2" Die	1-15/16"	2 lb.
BKP2000B	2" Punch	2-3/8"	2 lb.
BKD2000B	2" Die	2-3/8"	2 lb.
BKW52	Hand Ratchet Wrench	—	1 lb.
BKSB50B	1/2" Bearing & Drive Screw	—	1 lb.
BKS752B	3/4" – 2" Bearing & Drive Screw	—	1 lb.
BK88007	Storage Case	—	1.5 lb.

## BKOR520

### Quick Hand Ratchet Knockout Set

For 1/2" – 2" Conduit

The BURNDY® Hand Ratchet Knockout Set is designed to punch holes for 1/2" – 2" conduit in distribution boxes, electrical panels and troughs.

The Hand Ratchet Knockout Set is provided with a 1-year limited warranty.



### BKOR520 SPECIFICATIONS

Description	Weight
1/2" – 2" Quick Hand Ratchet Knockout Set	16 lbs.

### ACCESSORIES

Components for kit listed above can be purchased separately.

### Features and Benefits

- Four-point design allows slug to drop automatically without splitting.
- Smooth operating ratchet handles up to 10-gauge mild steel or 12-gauge stainless steel.
- 1-year limited warranty.

### SET INCLUDES

Catalog Number	Description	Hole	Weight
BKP500B	1/2" Punch	7/8"	.4 lb.
BKD500B	1/2" Die	7/8"	1 lb.
BKP750B	3/4" Punch	1-3/32"	.4 lb.
BKD750B	3/4" Die	1-3/32"	1 lb.
BKP1000B	1" Punch	1-11/32"	1 lb.
BKD1000B	1" Die	1-11/32"	1 lb.
BKP1250B	1-1/4" Punch	1-11/16"	2 lb.
BKD1250B	1-1/4" Die	1-11/16"	2 lb.
BKP1500B	1-1/2" Punch	1-15/16"	2 lb.
BKD1500B	1-1/2" Die	1-15/16"	2 lb.
BKP2000B	2" Punch	2-3/8"	2 lb.
BKD2000B	2" Die	2-3/8"	2 lb.
BKOR14	Ratchet	—	12 lb.
BKOR50	1/2" Screw Adapter	—	.4 lb.
BKOR75125	3/4" – 1-1/4" Screw Adapter	—	1 lb.
BKOR152	1-1/2" – 2" Screw Adapter	—	1 lb.
BK88020	Metal Storage Case	—	4 lb.

### BKOS5290

#### Self-Contained Hydraulic 360° Knockout Set

For 1/2" – 2" Conduit

The BURNDY® Self-Contained 360° Knockout Set is designed to punch holes for 1/2" – 2" conduit in distribution boxes, electrical panels and troughs.

The self-contained 360° Knockout Set is provided with a 1-year limited warranty.



#### SET INCLUDES

Catalog Number	Description	Hole	Weight
BKP500B	1/2" Punch	7/8"	.4 lb.
BKD500B	1/2" Die	7/8"	1 lb.
BKP750B	3/4" Punch	1-3/32"	.4 lb.
BKD750B	3/4" Die	1-3/32"	1 lb.
BKP1000B	1" Punch	1-11/32"	1 lb.
BKD1000B	1" Die	1-11/32"	1 lb.
BKP1250B	1-1/4" Punch	1-11/16"	2 lb.
BKD1250B	1-1/4" Die	1-11/16"	2 lb.
BKP1500B	1-1/2" Punch	1-15/16"	2 lb.
BKD1500B	1-1/2" Die	1-15/16"	2 lb.
BKP2000B	2" Punch	2-3/8"	2 lb.
BKD2000B	2" Die	2-3/8"	2 lb.
BKLP6	Hydraulic Driver	—	10 lb.
BKPR7520	Drawstud	—	1 lb.
BKPS50	Drawstud	—	.2 lb.
BKSA50	Drawstud Adapter	—	.3 lb.

#### BKOS5290 SPECIFICATIONS

Description	Weight
1/2" – 2" Self-Contained Hydraulic Knockout Set	7-1/2 lbs.
— head swivels 360°	

#### Features and Benefits

- Right-angle head swivels 360° for flexible punching in tight work spaces.
- Punches up to 2" conduit sizes, up to 10-gauge mild steel or 12-gauge stainless steel.
- No cumbersome "spacers" required.
- Compact, lightweight size: 7-1/2 pounds and 13" in length.
- Operating pressure rated at 10,000 psi.
- Set includes the most popular drawstuds, punches, and dies for punching holes for 1/2" to 2" conduit; all packed in a sturdy storage case.
- 1-year limited warranty.

#### ACCESSORIES

Components for the kit listed above can be purchased separately.

**BKLP6K1** Seal Repair Kit

**BKOS520**

**Self-Contained Hydraulic Knockout Set**

For 1/2" – 2" Conduit

The BURNDY® Self-Contained Hydraulic Knockout Set is designed to punch holes for 1/2" – 2" conduit in distribution boxes, electrical panels and troughs.

The Self-Contained Hydraulic Knockout Set is provided with a 1-year limited warranty.

Optional 2-1/2" and 3" punch and die available.



**BKOS520 SPECIFICATIONS**

Description	Weight
1/2" – 2" Self-Contained Hydraulic Set	14 lbs.

**Features and Benefits**

- Hydraulic driver punches up to 10-gauge mild steel or 12-gauge stainless steel.
- Four-point design allows slug to drop automatically without splitting.
- Lightweight and easy to use.
- Hydraulic driver operates in any position.
- 1-year limited warranty.

**SET INCLUDES**

Catalog Number	Description	Hole	Weight
BKP500B	1/2" Punch	7/8"	.4 lb.
BKD500B	1/2" Die	7/8"	1 lb.
BKP750B	3/4" Punch	1-3/32"	.4 lb.
BKD750B	3/4" Die	1-3/32"	1 lb.
BKP1000B	1" Punch	1-11/32"	1 lb.
BKD1000B	1" Die	1-11/32"	1 lb.
BKP1250B	1-1/4" Punch	1-11/16"	2 lb.
BKD1250B	1-1/4" Die	1-11/16"	2 lb.
BKP1500B	1-1/2" Punch	1-15/16"	2 lb.
BKD1500B	1-1/2" Die	1-15/16"	2 lb.
BKP2000B	2" Punch	2-3/8"	2 lb.
BKD2000B	2" Die	2-3/8"	2 lb.
BKLP2	Hydraulic Driver	—	10 lb.
BKPR7520	Drawstud	—	1 lb.
BKPS50	Drawstud	—	.2 lb.
BKSA50	Drawstud Adapter	—	.3 lb.
BK88020	Metal Storage Case	—	4.1 lb.

**ACCESSORIES**

Components for the kit listed above can be purchased separately. Additional accessories, not included in kit, are listed below.

Catalog Number	Description	Hole	Weight
BKP2500	2-1/2" Punch	2-7/8"	3 lb.
BKD2500	2-1/2" Die	2-7/8"	3 lb.
BKP3000	3" Punch	3-1/2"	4 lb.
BKD3000	3" Die	3-1/2"	4 lb.
BKLP2K1	Seal Repair Kit	—	—

### BKOH520A

#### Hydraulic Knockout Set

For 1/2" – 2" Conduit

The BURNDY® Hydraulic Knockout Set is designed to punch holes for 1/2" – 2" conduit in distribution boxes, electrical panels and troughs. Provided with hand pump.

The Hydraulic Knockout Set is provided with a 1-year limited warranty.



#### BKOH520A SPECIFICATIONS

Description	Weight
1/2" – 2" Hydraulic Knockout Set with BPH20 Hand Pump	31 lb.

#### Features and Benefits

- Four-point design allows slug to drop automatically without splitting.
- Punches up to 10-gauge mild steel or 12-gauge stainless steel.
- Hand-powered hydraulic pump.
- Assortment of punches, dies and accessories.
- Includes metal storage case (11-1/8" x 18-3/4" x 6-1/4").
- Competitors' punches and dies are interchangeable.
- 1-year limited warranty.

#### BKOH520A SET INCLUDES

Catalog Number	Description	Hole	Weight
BKP500B	1/2" Punch	7/8"	.4 lb.
BKD500B	1/2" Die	7/8"	1 lb.
BKP750B	3/4" Punch	1-3/32"	.4 lb.
BKD750B	3/4" Die	1-3/32"	1 lb.
BKP1000B	1" Punch	1-11/32"	1 lb.
BKD1000B	1" Die	1-11/32"	1 lb.
BKP1250B	1-1/4" Punch	1-11/16"	2 lb.
BKD1250B	1-1/4" Die	1-11/16"	2 lb.
BKP1500B	1-1/2" Punch	1-15/16"	2 lb.
BKD1500B	1-1/2" Die	1-15/16"	2 lb.
BKP2000B	2" Punch	2-3/8"	2 lb.
BKD2000B	2" Die	2-3/8"	2 lb.
BPH20	Hand Pump — 2 speed	—	5 lb.
BKPR7540	Drawstud for 3/4" – 4" Punches & Dies	—	2.5 lb.
BKPS50*	Stainless Steel Drawstud, 3/8" dia.	—	.2 lb.
BKC3540**	Converter	—	.4 lb.
BCH1211	12-ton Hydraulic Cylinder	—	6 lb.
BH864	6' Rubber Hose Coupler	—	2 lb.
BCM5	Metal Case	—	11 lb.

\* Must be used with 1/2" punch and die.

\*\* Must be used with 3-1/2" – 4" punch and die.

#### ACCESSORIES

Components for kit listed above can be purchased separately.

**BKOH540A**

**Hydraulic Knockout Set**

For 1/2" – 4" Conduit

The BURNDY® Hydraulic Knockout Set is designed to punch holes for 1/2" – 4" conduit in distribution boxes, electrical panels and troughs. Provided with hand pump.

The Hydraulic Knockout Set is provided with a 1-year limited warranty.



**BKOH540A SPECIFICATIONS**

Description	Weight
1/2" – 4" Hydraulic Knockout Set with BPH20 Hand Pump	50 lb.

**Features and Benefits**

- Four-point design allows slug to drop automatically without splitting.
- Punches up to 10-gauge mild steel or 12-gauge stainless steel.
- Hand-powered hydraulic pump.
- Assortment of punches, dies and accessories.
- Includes metal storage case (11-1/8" x 18-3/4" x 6-1/4").
- Competitors' punches and dies are interchangeable.
- 1-year limited warranty.

**BKOH540A SET INCLUDES**

Catalog Number	Description	Hole	Weight
BKP500B	1/2" Punch	7/8"	.4 lb.
BKD500B	1/2" Die	7/8"	1 lb.
BKP750B	3/4" Punch	1-3/32"	.4 lb.
BKD750B	3/4" Die	1-3/32"	1 lb.
BKP1000B	1" Punch	1-11/32"	1 lb.
BKD1000B	1" Die	1-11/32"	1 lb.
BKP1250B	1-1/4" Punch	1-11/16"	2 lb.
BKD1250B	1-1/4" Die	1-11/16"	2 lb.
BKP1500B	1-1/2" Punch	1-15/16"	2 lb.
BKD1500B	1-1/2" Die	1-15/16"	2 lb.
BKP2000B	2" Punch	2-3/8"	2 lb.
BKD2000B	2" Die	2-3/8"	2 lb.
BKP2500	2-1/2" Punch	2-7/8"	3 lb.
BKD2500	2-1/2" Die	2-7/8"	3 lb.
BKP3000	3" Punch	3-1/2"	4 lb.
BKD3000	3" Die	3-1/2"	4 lb.
BKP3500	3-1/2" Punch	4"	4 lb.
BKD3500	3-1/2" Die	4"	4 lb.
BKP4000	4" Punch	4-1/2"	4 lb.
BKD4000	4" Die	4-1/2"	4 lb.
BPH20	Hand Pump — 2 speed	—	5 lb.
BKPR7540	Drawstud for 3/4" – 4" Punches & Dies	—	2.5 lb.
BKPS50*	Stainless Steel Drawstud, 3/4" dia.	—	.2 lb.
BKC3540**	Converter	—	.4 lb.
BCH1211	12-ton Hydraulic Cylinder	—	6 lb.
BH864	6' Rubber Hose Coupler	—	2 lb.
BCM5	Metal Case	—	11 lb.

\* Must be used with 1/2" punch and die.

\*\* Must be used with 3-1/2" – 4" punch and die.

**ACCESSORIES**

Components for kit listed above can be purchased separately.

### BKOF520

#### Hydraulic Knockout Set

For 1/2" – 2" Conduit

The BURNDY® Hydraulic Knockout Set is designed to punch holes for 1/2" – 2" conduit in distribution boxes, electrical panels and troughs. Provided with foot pump.

The Hydraulic Knockout Set is provided with a 1-year limited warranty.



#### BKOF520 SPECIFICATIONS

Description	Weight
1/2" – 2" Hydraulic Knockout Set with BPF20 Foot Pump	31 lb.

#### Features and Benefits

- Four-point design allows slug to drop automatically without splitting.
- Punches up to 10-gauge mild steel or 12-gauge stainless steel.
- Foot-powered hydraulic pump.
- Assortment of punches, dies and accessories.
- Includes metal storage case (11-1/8" x 18-3/4" x 6-1/4").
- Competitors' punches and dies are interchangeable.
- 1-year limited warranty.

#### BKOF520 SET INCLUDES

Catalog Number	Description	Hole	Weight
BKP500B	1/2" Punch	7/8"	.4 lb.
BKD500B	1/2" Die	7/8"	1 lb.
BKP750B	3/4" Punch	1-3/32"	.4 lb.
BKD750B	3/4" Die	1-3/32"	1 lb.
BKP1000B	1" Punch	1-11/32"	1 lb.
BKD1000B	1" Die	1-11/32"	1 lb.
BKP1250B	1-1/4" Punch	1-11/16"	2 lb.
BKD1250B	1-1/4" Die	1-11/16"	2 lb.
BKP1500B	1-1/2" Punch	1-15/16"	2 lb.
BKD1500B	1-1/2" Die	1-15/16"	2 lb.
BKP2000B	2" Punch	2-3/8"	2 lb.
BKD2000B	2" Die	2-3/8"	2 lb.
BPF20	Foot Pump — 2 speed	—	5 lb.
BKPR7540	Drawstud for 3/4" – 4" Punches & Dies	—	2.5 lb.
BKPS50*	Stainless Steel Drawstud, 3/8" dia.	—	.2 lb.
BKC3540**	Converter	—	.4 lb.
BCH1211	12-ton Hydraulic Cylinder	—	6 lb.
BH864	6' Rubber Hose Coupler	—	2 lb.
BCM5	Metal Case	—	11 lb.

\* Must be used with 1/2" punch and die.

\*\* Must be used with 3-1/2" – 4" punch and die.

#### ACCESSORIES

Components for kit listed above can be purchased separately.



**BKOF540**

**Hydraulic Knockout Set**

For 1/2" – 4" Conduit

The BURNDY® Hydraulic Knockout Set is designed to punch holes for 1/2" – 4" conduit in distribution boxes, electrical panels and troughs. Provided with foot pump.

The Hydraulic Knockout Set is provided with a 1-year limited warranty.



**BKOH540A SPECIFICATIONS**

Description	Weight
1/2" – 4" Hydraulic Knockout Set with BPF20 Foot Pump	50 lb.

**Features and Benefits**

- Four-point design allows slug to drop automatically without splitting.
- Punches up to 10-gauge mild steel or 12-gauge stainless steel.
- Foot-powered hydraulic pump.
- Assortment of punches, dies and accessories.
- Includes metal storage case (11-1/8" x 18-3/4" x 6-1/4").
- Competitors' punches and dies are interchangeable.
- 1-year limited warranty.

**BKOH540A SET INCLUDES**

Catalog Number	Description	Hole	Weight
BKP500B	1/2" Punch	7/8"	.4 lb.
BKD500B	1/2" Die	7/8"	1 lb.
BKP750B	3/4" Punch	1-3/32"	.4 lb.
BKD750B	3/4" Die	1-3/32"	1 lb.
BKP1000B	1" Punch	1-11/32"	1 lb.
BKD1000B	1" Die	1-11/32"	1 lb.
BKP1250B	1-1/4" Punch	1-11/16"	2 lb.
BKD1250B	1-1/4" Die	1-11/16"	2 lb.
BKP1500B	1-1/2" Punch	1-15/16"	2 lb.
BKD1500B	1-1/2" Die	1-15/16"	2 lb.
BKP2000B	2" Punch	2-3/8"	2 lb.
BKD2000B	2" Die	2-3/8"	2 lb.
BKP2500	2-1/2" Punch	2-7/8"	3 lb.
BKD2500	2-1/2" Die	2-7/8"	3 lb.
BKP3000	3" Punch	3-1/2"	4 lb.
BKD3000	3" Die	3-1/2"	4 lb.
BKP3500	3-1/2" Punch	4"	4 lb.
BKD3500	3-1/2" Die	4"	4 lb.
BKP4000	4" Punch	4-1/2"	4 lb.
BKD4000	4" Die	4-1/2"	4 lb.
BPF20	Foot Pump — 2 speed	—	5 lb.
BKPR7540	Drawstud for 3/4" – 4" Punches & Dies	—	2.5 lb.
BKPS50*	Stainless Steel Drawstud, 3/4" dia.	—	.2 lb.
BKC3540**	Converter	—	.4 lb.
BCH1211	12-ton Hydraulic Cylinder	—	6 lb.
BH864	6' Rubber Hose Coupler	—	2 lb.
BCM5	Metal Case	—	11 lb.

\* Must be used with 1/2" punch and die.

\*\* Must be used with 3-1/2" – 4" punch and die.

**ACCESSORIES**

Components for kit listed above can be purchased separately.

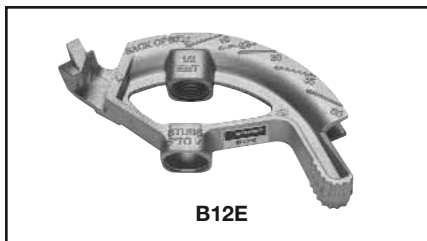
## Benders—Hand Benders

### B12E, B34E12R, B1E34R

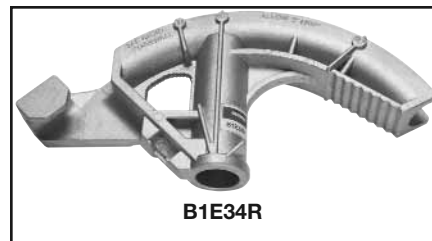
#### Conduit Hand Benders

The BURNDY® Aluminum Hand Bender is designed to bend EMT and Rigid conduit. The size range is 1/2" - 1" EMT.

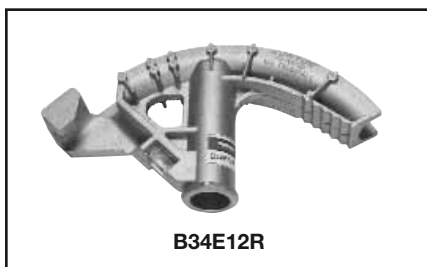
The conduit hand bender is provided with a 5-year limited warranty.



**B12E**



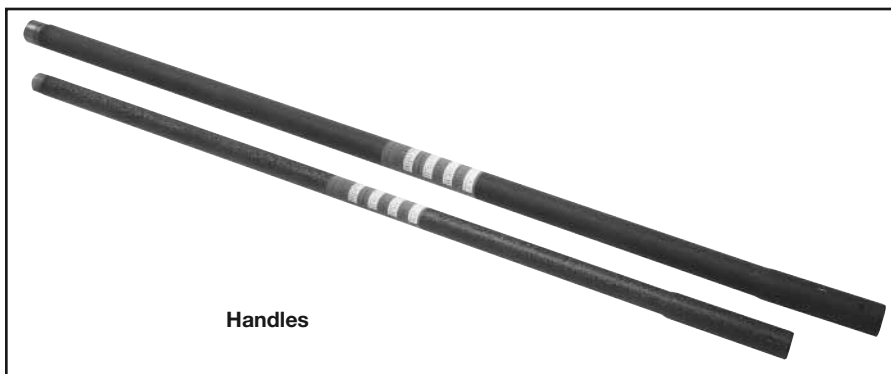
**B1E34R**



**B34E12R**

#### Features and Benefits

- All models include embossment with sight lines for 10°, 22°, 30°, 45°, 60° and 90°.
- Industry standard markings — 30° bend when handle is straight up.
- The non-slip foot pedal is contoured allowing more foot room.
- 3/4" and 1" bender heads have levels which makes aligning easy.
- Designed with a channel to bend conduit back if you have an over-bend.
- 5-year limited warranty.



**Handles**

Bender Part Number	Description	Weight
<b>B12E</b>	1/2" EMT (bender head only)	.90 lbs
<b>B34E12R</b>	3/4" EMT – 1/2" RIGID (bender head only)	1.80 lbs
<b>B1E34R</b>	1" EMT – 3/4" RIGID (bender head only)	3.55 lbs
Handle Part Number	Description	Weight
<b>H12E</b>	Handle for 1/2" bender	3.65 lbs
<b>H34E12R</b>	Handle for 3/4" bender	3.65 lbs
<b>H1E34R</b>	Handle for 1" bender	5.45 lbs
Assembly (Bender & Handle)	Description	Weight
<b>BHA12E</b>	1/2" EMT bender with handle	4.55 lbs
<b>BHA34E12R</b>	3/4" EMT – 1/2" RIGID bender with handle	5.45 lbs
<b>BHA1E34R</b>	1" EMT – 3/4" RIGID bender with handle	9 lbs

## BEB122

### Electric Conduit Bender

For 1/2" - 2" Conduit and Pipe

The BURNDY® BEB122 electric conduit bender is designed to bend 1/2" - 2" rigid conduit, IMC, EMT and 2" PVC coated conduit. The BEB122 bender assists the electrical contractor on larger jobs and will save time and labor.

The BEB122 electrical bender is provided with a 2-year limited warranty.

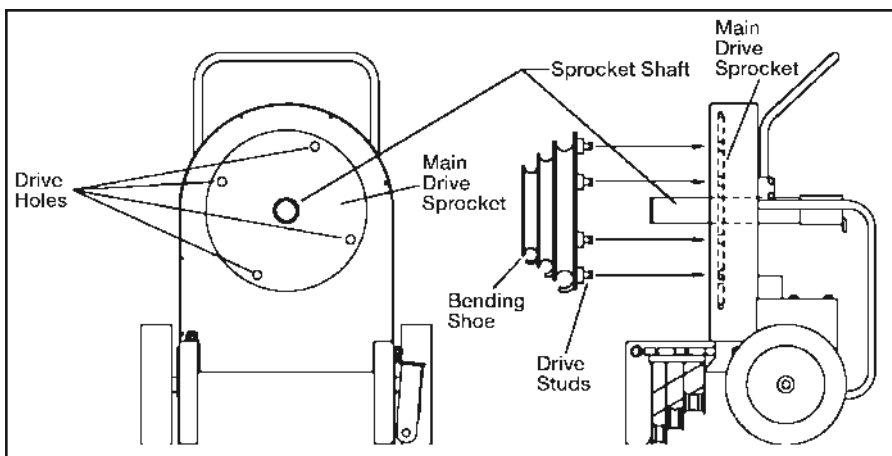
### Features and Benefits

- The electric bender is available for Rigid, EMT, IMC or PVC. Bender can also be purchased without shoes.
- Shoes and roller supports interchange with the Gardner Bender® GB2555, Greenlee® 555 and Current Tools® 77 series. (Only exception is using the Greenlee® four groove rigid shoe #00571. You must use roller support #00936.)
- Reliable electrical system that offers ease of repairs (does not contain any circuit boards).
- Proudly "Made in the USA."
- Maximum schedule 40 conduit.
- Will produce 180 degree bends in a single cycle.
- Limit stop control for bend angle settings.
- Operates on 115-120VAC 60Hz.
- Built in bend angle protractor bends 90 degrees quickly and efficiently.
- 2-year limited warranty.



### ACCESSORIES

Part Number	Description	Weight
BEBSHOECASE	Metal storage box	36 lbs.



Part Number	Description	Weight
<b>BEB122</b>	Electric Bender Power Unit only, without shoes and roller supports	270 lbs.
<b>BEB122RIG</b>	Electric Bender with shoes and roller supports for 1/2" through 2" RIGID conduit schedule 40 pipe and 1/2" through 1-1/4" IMC conduit	365 lbs.
<b>BEB122EMT*</b>	Electric Bender with shoes and roller supports for 1/2" through 2" EMT conduit	430 lbs.
<b>BEB122PVC*</b>	Electric Bender with shoes and roller supports for 1/2" through 2" PVC coated RIGID conduit	365 lbs.
<b>122RIG</b>	Shoes and roller supports only, for bending 1/2" thru 2" RIGID conduit, 1/2" through 1-1/4" IMC conduit and 1/2" through 2" Schedule 40 pipe	74 lbs.
<b>122EMT*</b>	Shoes and roller supports only, for bending 1/2" through 2" EMT (thinwall)	160 lbs.
<b>122IMC*</b>	Shoes and roller supports only, for bending 1-1/2" and 2" IMC	127 lbs.
<b>122PVC*</b>	Shoes and roller supports only, for bending 1/2" through 2" 40 mil PVC coated RIGID	110 lbs.

\* Shoes and roller supports come with BEBSHOECASE metal box.

### BSC2H

#### The SmartCart®

#### 2 Wheel Heavy Duty Cart

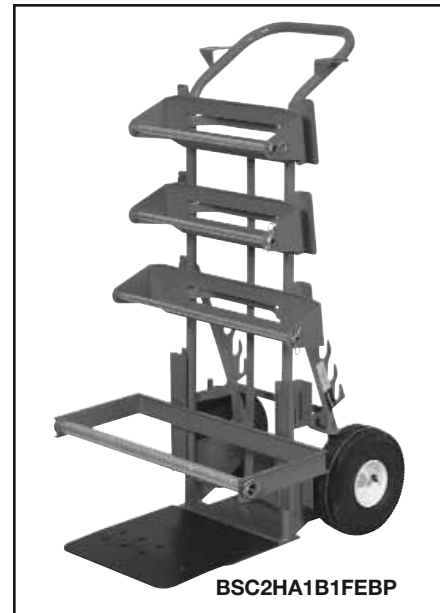
The SmartCart® is a versatile wire management system consisting of 2 wheeled carts, various modular wire racks for carrying spools of wire and wall storage units to organize and store racks with wire when not in use. The SmartCart® wire management system will assist the electrical contractor with wire installations, improves wire storage, and saves time and labor.

Heavy duty carts are rated for 600 lbs. capacity.

The SmartCart® is provided with a 1-year limited warranty.

#### Features and Benefits

- Order as standard configuration or customize to your needs with various size racks
- Two holders provided for up to 1" conduit benders
- Built-in tray to hold fish tapes and tools
- Handles are pre-dimpled for mounting material tool boxes (MTB and MTX)
- Cart base plate is pre-punched to accommodate mounting of the extension base plate with built-in wire guide
- Spools are easily changed by placing rack on its side, removing hitch pin and shaft, roll-out and roll-in desired new spool
- Motionless vise attached to the back of cart for cutting 1/2", 3/4" and 1" conduit

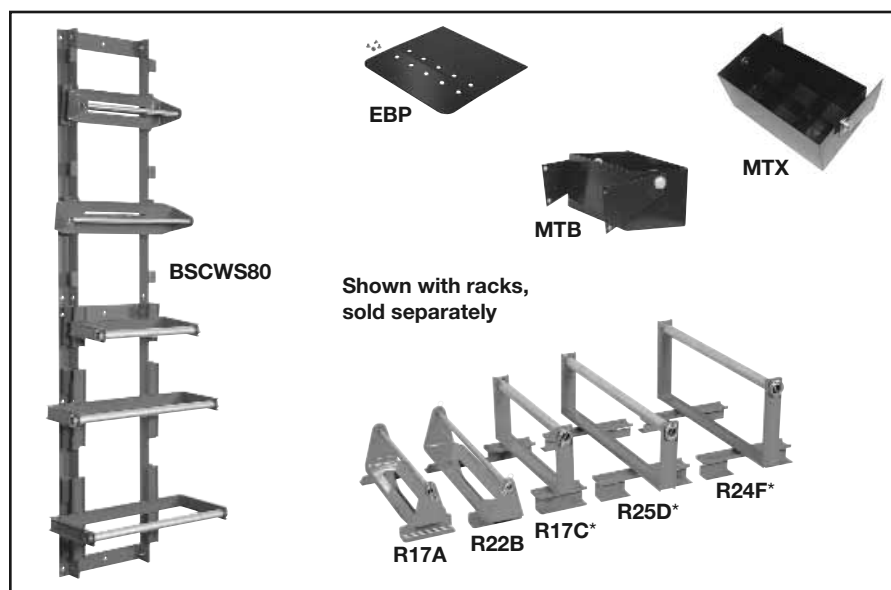


Catalog Number	Description	Weight
<b>BSC2H</b>	2-Wheel Heavy Duty without racks	37 lbs.
<b>BSC2H5A</b>	2-Wheel Heavy Duty with (5) R17A racks	62 lbs.
<b>BSC2H3A2B</b>	2-Wheel Heavy Duty with (3) R17A racks and (2) R22B racks	64 lbs.
<b>BSC2H5B</b>	2-Wheel Heavy Duty with (5) R22B racks	67 lbs.
<b>BSC2H1C2DEBP</b>	2-Wheel Heavy Duty with (1) R17C rack, (2) R25D racks and (1) EBP	86 lbs.
<b>BSC2H2C1DEBP</b>	2-Wheel Heavy Duty with (2) R17C racks, (1) R25D rack and (1) EBP	82 lbs.
<b>BSC2H2A1B1FEBP</b>	2-Wheel Heavy Duty with (2) R17A racks (1) R22B rack (1) R24F rack and (1) EBP	81 lbs.

#### ACCESSORIES

- EBP** Extension Base Plate with built-in wire guide
- MTB** Material Tool Box  
11" L x 6" W x 5" D
- MTX** Material Tool Box (MTB) with Dividers 6-Pockets:  
3-5/8" L x 3" W x 3" D
- R17A** 17" wide rack for 7-1/2" diameter spools with 1/2" EMT spindles
- R22B** 22" wide rack for 7-1/2" diameter spools with 1/2" EMT spindles
- R17C \*** 17" wide rack for 12" diameter spools with 1" EMT spindles
- R25D \*** 25" wide rack for 12" diameter spools with 1" EMT spindles
- R24F \*** 24" wide rack for 2-16" diameter reels with 1" EMT spindles
- BSCWS40** 40" Wall Wire Reel Storage System
- BSCWS80** 80" Wall Wire Reel Storage System

\*Note: The R17C, R25D, and R24F racks are designed for oversized reels. The Extension Base Plate (EBP) is required when used on The SmartCart®.



**BSC2L**

**The SmartCart®**

**2 Wheel Light Duty Cart**

The SmartCart® is a versatile wire management system consisting of 2 wheeled carts, various modular wire racks for carrying spools of wire and wall storage units to organize and store racks with wire when not in use. The SmartCart® wire management system will assist the electrical contractor with wire installations, improves wire storage, and saves time and labor.

Light duty carts are rated for 300 lbs capacity.

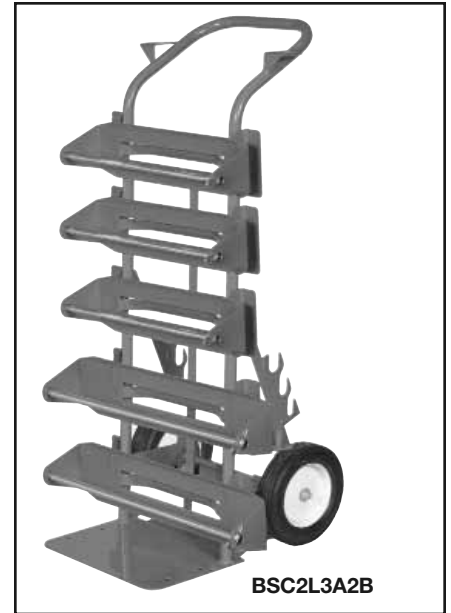
The SmartCart® is provided with a 1-year limited warranty.

**Features and Benefits**

- Order as standard configuration or customize to your needs with various size racks
- Two holders provided for up to 1" conduit benders
- Built-in tray to hold fish tapes and tools
- Handles are pre-dimpled for mounting material tool boxes (MTB and MTX)
- Cart base plate is pre-punched to accommodate mounting of the extension base plate with built-in wire guide
- Spools are easily changed by placing rack on its side, removing hitch pin and shaft, roll-out and roll-in desired new spool
- Motionless vise attached to the back of cart for cutting 1/2", 3/4" and 1" conduit



**BSC2L**



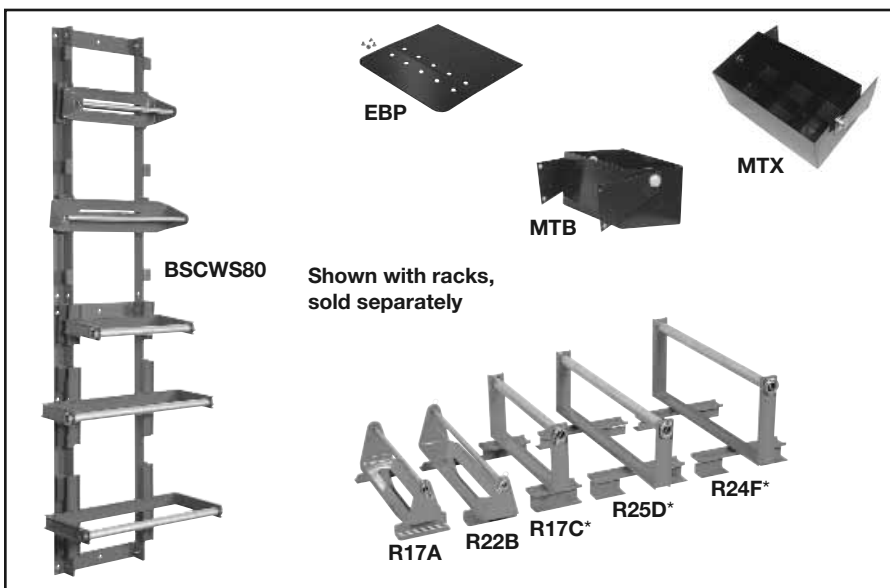
**BSC2L3A2B**

Catalog Number	Description	Weight
<b>BSC2L</b>	2-Wheel Light Duty without racks	37 lbs.
<b>BSC2L5A</b>	2-Wheel Light Duty with (5) R17A racks	62 lbs.
<b>BSC2L3A2B</b>	2-Wheel Light Duty with (3) R17A racks and (2) R22B racks	64 lbs.
<b>BSC2L5B</b>	2-Wheel Light Duty with (5) R22B racks	67 lbs.
<b>BSC2L1C2DEBP</b>	2-Wheel Light Duty with (1) R17C rack, (2) R25D racks and (1) EBP	86 lbs.
<b>BSC2L2C1DEBP</b>	2-Wheel Light Duty with (2) R17C racks, (1) R25D rack and (1) EBP	82 lbs.

**ACCESSORIES**

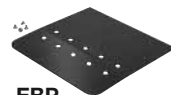
- EBP** Extension Base Plate with built-in wire guide
- MTB** Material Tool Box  
11" L x 6" W x 5" D
- MTX** Material Tool Box (MTB) with Dividers 6-Pockets:  
3-5/8" L x 3" W x 3" D
- R17A** 17" wide rack for 7-1/2" diameter spools with 1/2" EMT spindles
- R22B** 22" wide rack for 7-1/2" diameter spools with 1/2" EMT spindles
- R17C \*** 17" wide rack for 12" diameter spools with 1" EMT spindles
- R25D \*** 25" wide rack for 12" diameter spools with 1" EMT spindles
- R24F \*** 24" wide rack for 2-16" diameter reels with 1" EMT spindles
- BSCWS40** 40" Wall Wire Reel Storage System
- BSCWS80** 80" Wall Wire Reel Storage System

\*Note: The R17C, R25D, and R24F racks are designed for oversized reels. The Extension Base Plate (EBP) is required when used on The SmartCart®.



**BSCWS80**

Shown with racks, sold separately



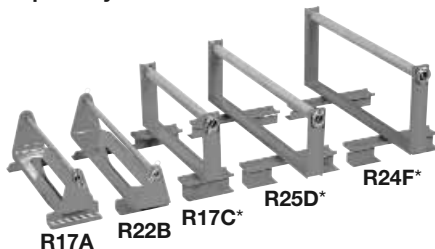
**EBP**



**MTX**



**MTB**



**R17A**

**R22B**

**R17C\***

**R25D\***

**R24F\***

## BSCWS40 AND BSCWS80

### The SmartCart®

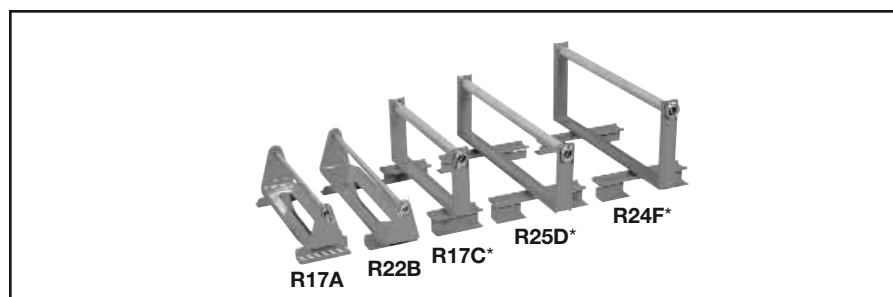
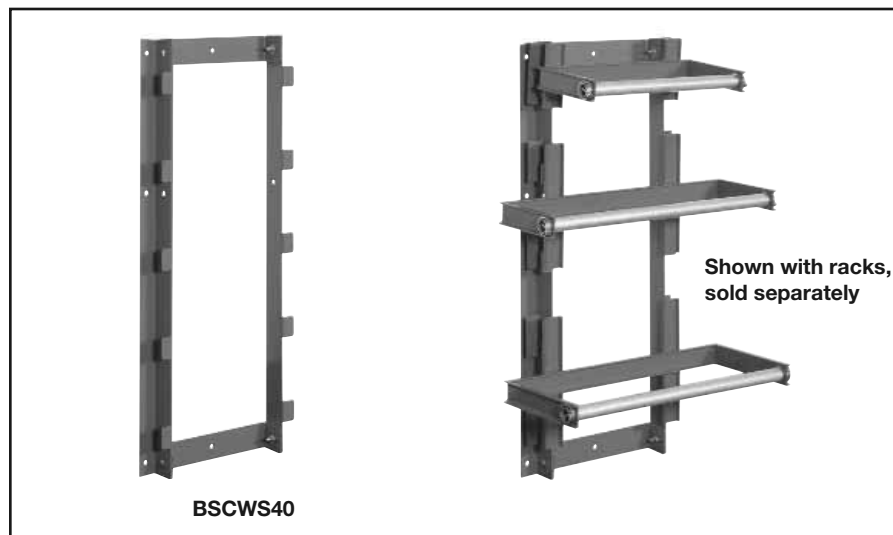
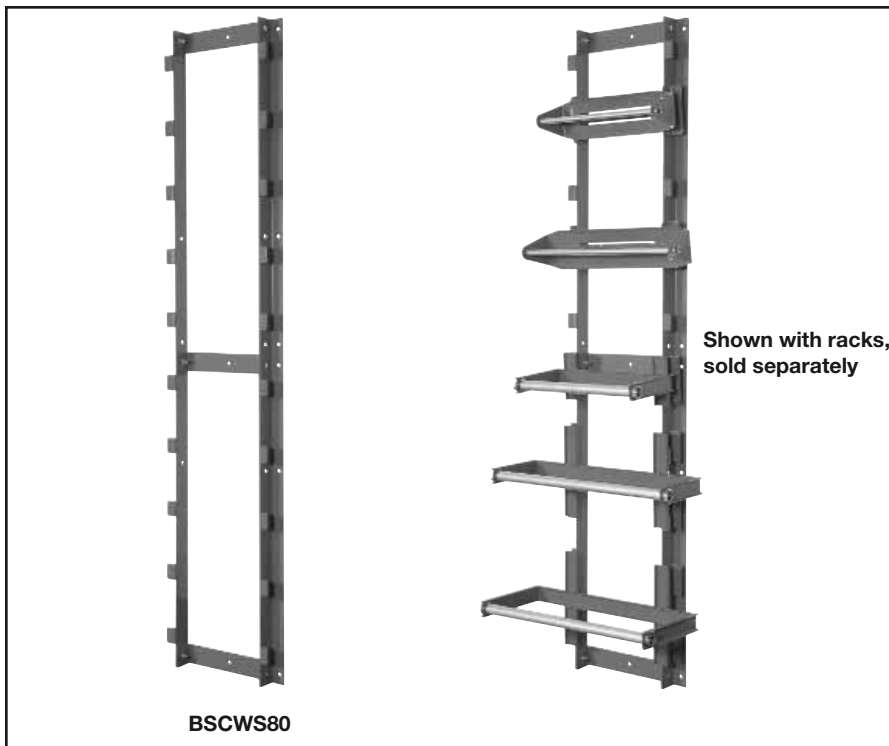
#### Wall Wire Reel Storage System

The BSCWS40, 40" high and BSCWS80, 80" high Wall Wire Reel Storage Systems are designed to work in a van, panel truck or shop and handles all 2 wheel SmartCart® racks.

Provides a time saving advantage by storing wire on racks which can be easily moved to 2 wheel carts for transporting and wire pulling.

**Sizes:** 40" high, 17" wide, 2-3/4" deep  
80" high, 17" wide, 2-3/4" deep

The SmartCart® is provided with a 1-year limited warranty.



### Modular Racks for 2 Wheel Carts

*(sold separately)*

- R17A** 17" wide rack for 7-1/2" diameter spools with 1/2" EMT spindles
- R22B** 22" wide rack for 7-1/2" diameter spools with 1/2" EMT spindles
- R17C \*** 17" wide rack for 12" diameter spools with 1" EMT spindles
- R25D \*** 25" wide rack for 12" diameter spools with 1" EMT spindles
- R24F \*** 24" wide rack for 2-16" diameter reels with 1" EMT spindles

\*Note: The R17C, R25D, and R24F racks are designed for oversized reels. The Extension Base Plate (EBP) is required when used on The SmartCart®.

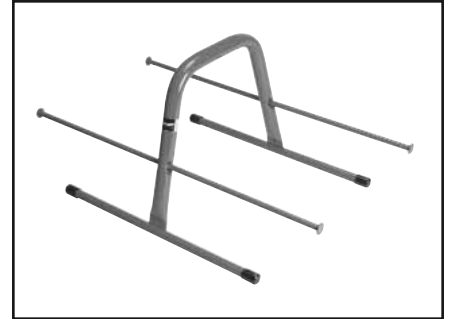
**BWC04EHC**

**BURNDY® Wire Caddies**

Economy Hand Caddy

The BWC04EHC Economy Hand Caddy is designed for 500' spools of #10 AWG and smaller. No hitch pins to lose as retaining washers keep spools on spindles. (Can also be mounted on the BWC24MTHTC.)

**Maximum Weight Capacity:** 200 lbs.  
**Spool capacity:** (8) 500' spools of #12 AWG (4) 500' spools of #10 AWG  
**Size:** 10-1/2" high, 13-1/2" wide, 21" long  
**Weight:** 4 lbs.



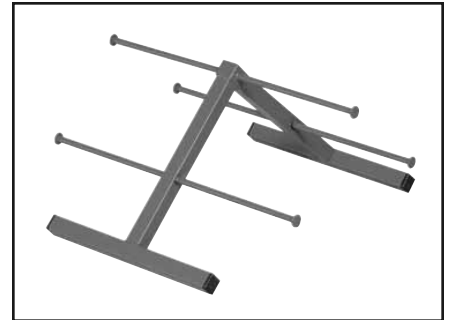
**BWC06FHC**

**BURNDY® Wire Caddies**

Folding Hand Caddy

The BWC06FHC Folding Hand Caddy is designed for 500' spools of #10 AWG and smaller. No hitch pins to lose as retaining washers keep spools on spindles. Caddy folds down to 2-1/2" for compact storage.

**Maximum Weight Capacity:** 120 lbs.  
**Spool capacity:** (6) 500' spools of up to #10 AWG  
**Size:** 10" high, 18" wide  
**Weight:** 5 lbs.



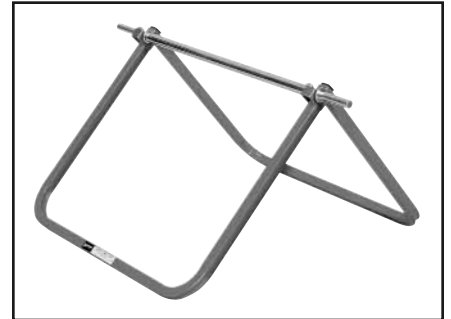
**BWC01CMC**

**BURNDY® Wire Caddies**

Compact Medium Caddy

The BWC01CMC is designed for medium size heavier reels. No hitch pins to lose. 3/4" solid steel spindle under 1" tubing sleeves for easy payout. Folds down for compact storage. (Can also be mounted on the BWC-24MTHTC.)

**Maximum Weight Capacity:** 300 lbs.  
**Reel capacity:** 24-1/2" traverse, 30" diameter, 250 lbs.  
**Size:** 24" high, 35" spindle length  
**Weight:** 15 lbs.



**BWC01CDC**

**BURNDY® Wire Caddies**

Compact Data Caddy

The BWC01CDC Compact Data Caddy is designed for medium size reels like Cat 5 or even 1000' NM-B mounted on a 5/8" solid steel spindle. No hitch pins to lose and folds down for compact storage.

**Maximum Weight Capacity:** 300 lbs.  
**Reel capacity:** 24-1/2" traverse, 20" diameter, 250 lbs.  
**Size:** 16" high, 28-1/2" long  
**Weight:** 9 lbs.



### BWC46CWD

#### BURNDY® Wire Caddies

##### Caddy Wire Dispenser

The BWC46CWD is designed for spools up to 9" diameter. No hitch pins to lose with (6) 1/2" solid steel spindles. Retaining washers keep spools on spindles. Removable handle with built in wire guide. (2) locking swivel casters and (2) swivel casters.

**Maximum Weight Capacity:** 350 lbs.  
**Spool capacity:** 12-1/4" traverse, 9" diameter (per spindle)  
**Size:** 16-1/2" high, 26" wide, 16" long  
**Weight:** 19 lbs.



### BWC01FCMR

#### BURNDY® Wire Caddies

##### Folding Caddy Mount Reel

The BWC01FCMR Folding Caddy Mount Reel is designed for dispensing coiled NM-B or MC. Attaches to the BWC28FAC for portability and accepts add-on BWC01FAR for additional coils. Caddy folds down for compact storage.

**Maximum Weight Capacity:** 100 lbs.  
**Capacity:** (2) 250' coils of NM-B; (1) 250' coil of MC  
**Size:** 15" high × 18" wide  
**Weight:** 8 lbs.



### BWC28FAC

#### BURNDY® Wire Caddies

##### Folding A-Frame Caddy

The BWC28FAC Folding A-Frame Caddy is designed for 500' spools of #10 AWG and smaller. No hitch pins to lose with (8) 1/2" solid steel spindles, (2) 8 × 1-1/2" semi-pneumatic tires. Folds down for compact storage and wire can be left on caddy when folded. BWC01FCMR can be mounted for portability.

**Maximum Weight Capacity:** 400 lbs.  
**Spool capacity:** 18" traverse, 6-3/4" diameter (per spindle)  
**Size:** 47" High, 28-1/4" wide, 15-1/2" deep (when folded)  
**Weight:** 45 lbs.





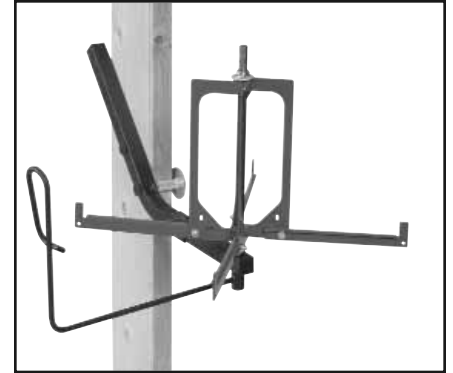
## BWC01FSMC

### BURNDY® Wire Caddies

#### Folding Stud Mount Caddy

The BWC01FSMC Folding Stud Mount Caddy is designed for dispensing coiled NM-B or MC while attached to wood studs. Caddy offers a universal mounting device for 2" x 4" or 2" x 6" studs. Caddy folds down for compact storage; accepts add-on BWC01FAR for additional coils.

**Maximum Weight Capacity:** 125 lbs.  
**Capacity:** (2) 250' coils of NM-B,  
 (1) 250' coil of MC  
**Size:** 16" high, 20-3/4" (open),  
 5" (folded) wide  
**Weight:** 6 lbs.



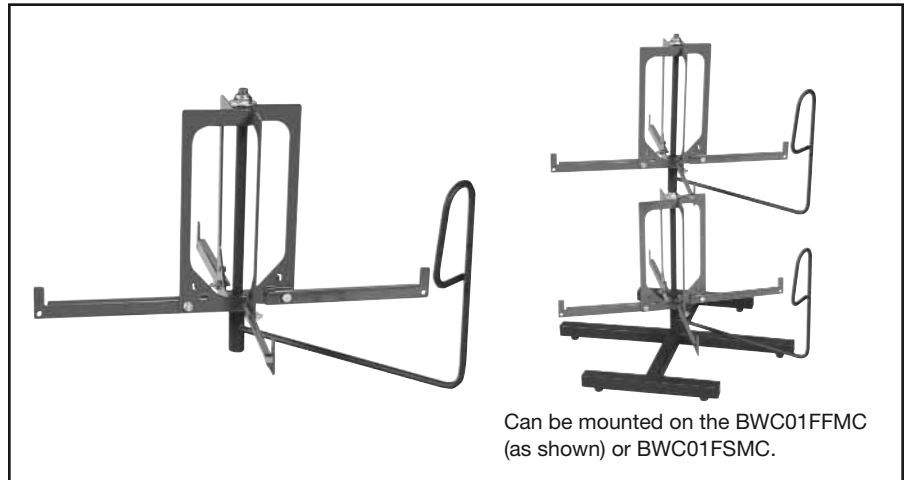
## BWC01FAR

### BURNDY® Wire Caddies

#### Folding Add-On Reel

The BWC01FAR Folding Add-On Reel is designed for dispensing coiled NM-B or MC while attached to BWC01FSMC or BWC01FFMC. Caddy folds down for compact storage.

**Maximum Weight Capacity:** 100 lbs.  
**Capacity:** (2) 250' coils of NM-B,  
 (1) 250' coil of MC  
**Size:** 16" high, 20-3/4" (open),  
 5" (folded) wide  
**Weight:** 4 lbs.



Can be mounted on the BWC01FFMC (as shown) or BWC01FSMC.

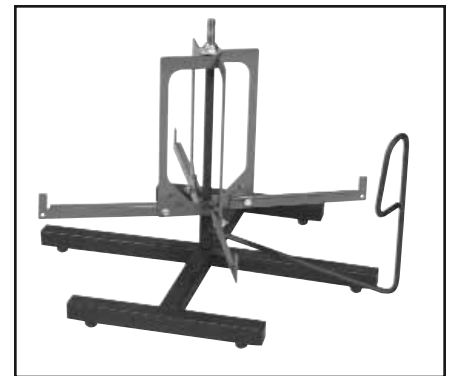
## BWC01FFMC

### BURNDY® Wire Caddies

#### Folding Floor Mount Caddy

The BWC01FFMC Folding Floor Mount Caddy is designed for dispensing coiled NM-B or MC. Caddy folds down for compact storage; accepts add-on reel BWC01FAR for additional coils. (Can also be mounted on the BWC24MTHTC.)

**Maximum Weight Capacity:** 125 lbs.  
**Capacity:** (2) 250' coils of NM-B,  
 (1) 250' coil of MC  
**Size:** 16" high, 20-3/4" (open),  
 5" (folded) wide  
**Weight:** 8 lbs.



### BWC46RC

#### BURNDY® Wire Caddies

##### 6 Spindle Reel Caddy

The BWC46RC 6 Spindle Reel Caddy is designed for 2500' reels of #10 AWG and smaller. No hitch pins to lose with (6) 3/4" solid steel spindles under 1" tubing sleeves for easy pay out. Retaining washers to keep reels on spindles. Folds down for compact storage. (2) 4" locking swivel casters and (2) 8" molded rubber wheels.

**Maximum Weight Capacity:** 750 lbs.  
**Reel capacity:** 14-3/4" traverse, 15" diameter (per spindle)  
**Size:** 40-1/2" high, 33" wide  
**Weight:** 66 lbs.



### BWC410RC

#### BURNDY® Wire Caddies

##### 10 Spindle Reel Caddy

The BWC410RC 10 Spindle Reel Caddy is designed for 2500' reels of #10 AWG and smaller. No hitch pins to lose with (10) 3/4" solid steel spindles under 1" tubing sleeves for easy pay out. Retaining washers to keep reels on spindles. Folds down for compact storage. (2) 4" locking swivel casters and (2) 8" molded rubber wheels.

**Maximum Weight Capacity:** 1200 lbs.  
**Reel capacity:** 14-3/4" traverse, 15" diameter (per spindle)  
**Size:** 51-1/2" high, 34-1/2" wide  
**Weight:** 91 lbs.



### BWC420MSC

#### BURNDY® Wire Caddies

##### Multi-Spool Caddy

The BWC420MSC Multi-Spool Caddy is designed for 500' reels of #10 AWG and smaller. No hitch pins to lose with (20) 1/2" solid steel spindles. Retaining washers to keep reels on spindles. Folds down for compact storage. (2) 4" locking swivel casters and (2) 8" molded rubber wheels.

**Maximum Weight Capacity:** 1000 lbs.  
**Reel capacity:** 14-3/4" traverse, 7" diameter (per spindle)  
**Size:** 45" high, 34-1/2" wide  
**Weight:** 80 lbs.



**BWC24HTC**

**BURNDY® Wire Caddies**

**Hand Truck Caddy**

The BWC24HTC Hand Truck Caddy is designed for 500' spools of #10 AWG and smaller. No hitch pins to lose with (4) 1/2" solid steel spindles. (2) 10" x 4" wheels with pneumatic tube tires.

**Maximum Weight Capacity:** 400 lbs.  
**Spool capacity:** 18" traverse; 6-3/4" diameter (per spindle)  
**Size:** 47" High, 28-1/4" wide, 15-1/2" deep  
**Weight:** 38 lbs.



**BWC24HTC**

**BWC25LHTC, BWC00ADP AND BWC27LHTCADP**

**BURNDY® Wire Caddies**

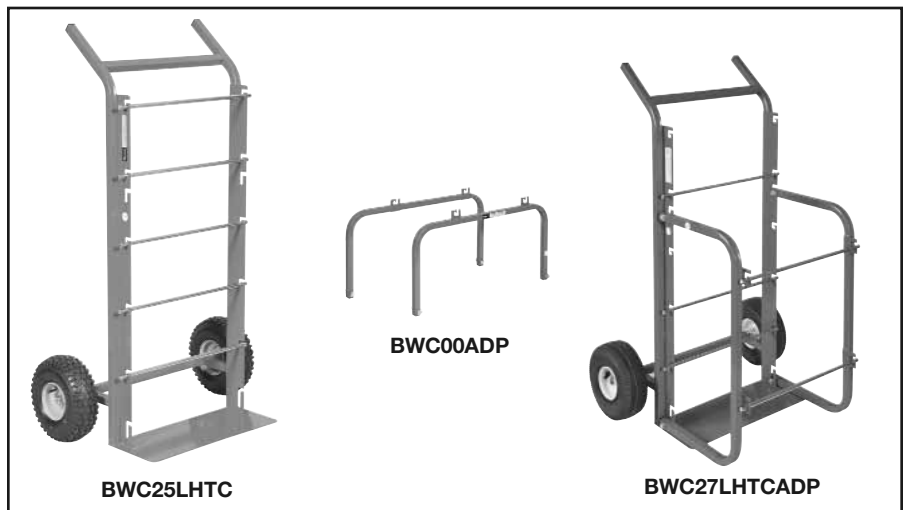
**Large Hand Truck Caddy**

The BWC25LHTC is designed for 500' spools of #10 AWG and smaller. Accommodates larger spools with BWC00ADP attached. No hitch pins to lose with (5) 1/2" solid steel spindles. (2) 8" x 1-1/2" semi pneumatic tires.

BWC25LHTC and BWC00ADP sold separately or combined as BWC27LHTCADP.

**Maximum Weight Capacity:** 400 lbs.  
**Spool capacity:** 17-1/2" traverse, 7" diameter (per spindle)  
**With BWC00ADP:** Max: 5 x 17-1/2" traverse, 4 x 15", 1 x 12" diameter

**Size:** 48" high, 27" wide, 16-1/2" deep  
**Weight:** BWC25LHTC 38 lbs.  
 BWC00ADP 9 lbs.  
 BWC27LHTCADP 47 lbs.



**BWC25LHTC**

**BWC00ADP**

**BWC27LHTCADP**

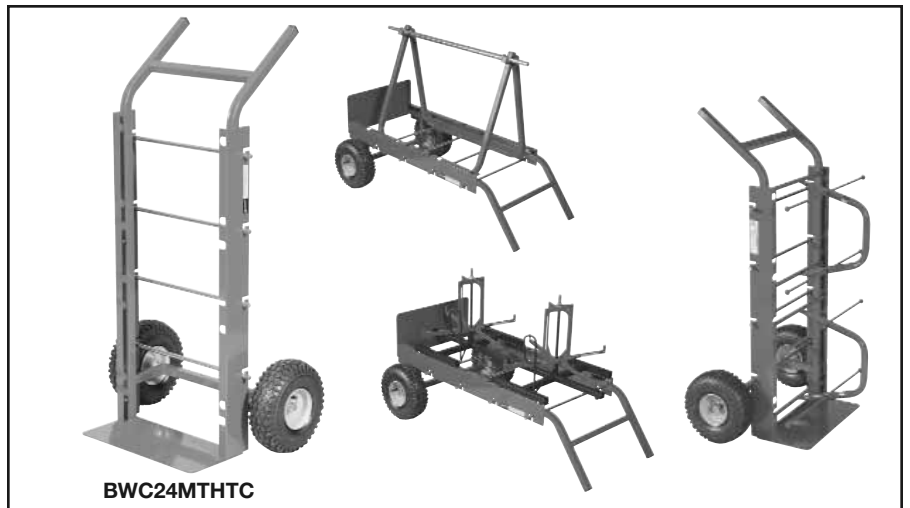
**BWC24MTHTC**

**BURNDY® Wire Caddies**

**Multi-Task Hand Truck Caddy**

The BWC24MTHTC Multi-Task Hand Truck Caddy is designed for 500' spools of #10 AWG and smaller. No hitch pins to lose with (4) 1/2" solid steel spindles, (2) 8 x 1-1/2" semi-pneumatic tires. Base platform to carry (2) BWC04EHC, or (2) BWC01FFMC, or (1) BWC01CMC.

**Maximum Weight Capacity:** 400 lbs.  
**Spool capacity:** 14" traverse, 6-3/4" diameter (per spindle)  
**Size:** 46" high, 21" wide, 16" deep  
**Weight:** 36 lbs.



**BWC24MTHTC**

## BWC00JS

### BURNDY® Wire Caddies

#### Jack Stand

The BWC00JS Jack Stand is designed for:

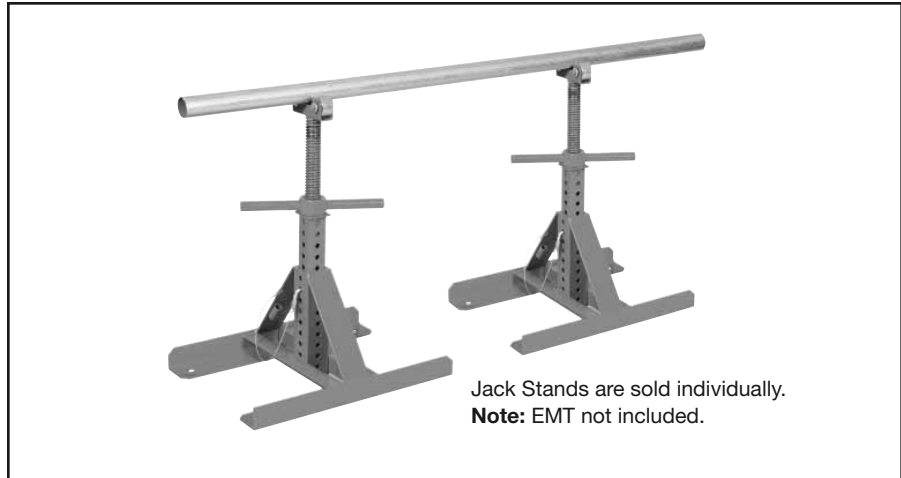
**Maximum Height &**

**Weight Capacity:** 26-1/2" high, 2500 lbs.

**Capacity:** 26" to 52" reel diameter

**Size:** 15" high, 20" long, 14-1/2" wide

**Weight:** 30 lbs. each



## BWC20PRSF

### BURNDY® Wire Caddies

#### Portable Reel Support Frame

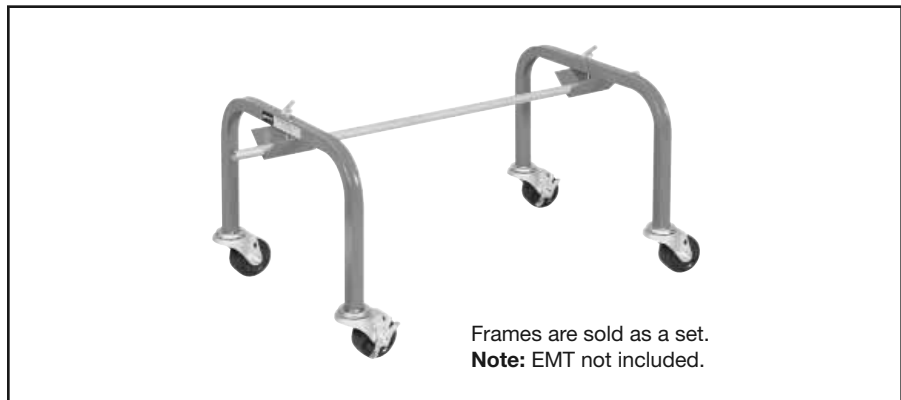
The BWC20PRSF Portable Reel Support Frame is designed to support 1" conduit for multi use spindle. (1) locking swivel caster and (1) swivel caster per frame. Sold in sets of two frames.

**Maximum Weight Capacity:** 400 lbs.

**Capacity:** 27" diameter reels, 200 lbs. per frame

**Size:** 14" high, 17-1/2" wide

**Weight:** 14 lbs. per set



## BWC32DCC

### BURNDY® Wire Caddies

#### Double Coil Caddy

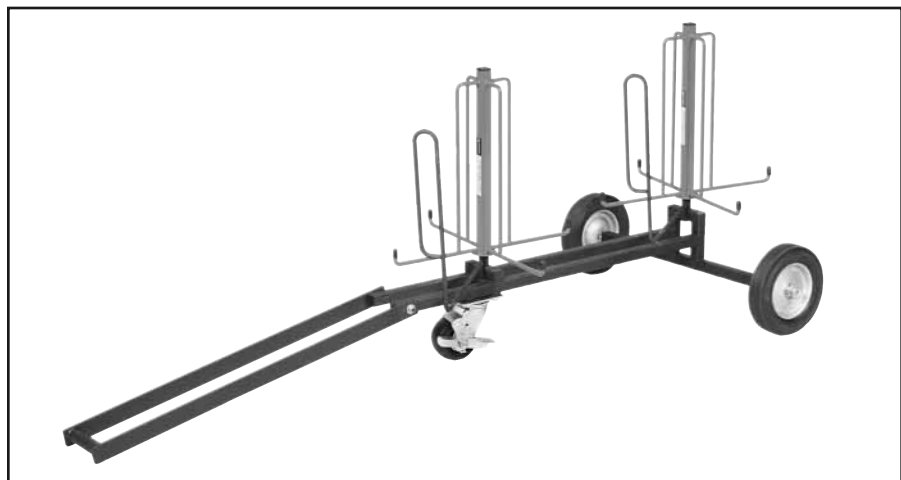
The BWC32DCC Double Coil Caddy is designed for dispensing MC cable from portable cart. (1) locking swivel caster and (2) 8" x 2" molded rubber wheels.

**Maximum Weight Capacity:** 300 lbs.

**Capacity:** (2) MC coils per reel

**Size:** 26" high, 52-1/2" long, 27" wide

**Weight:** 46 lbs.



**BWC40PC**

**BURNDY® Wire Caddies**

**Push Cart**

The BWC40PC Push Cart is designed with:

- (2) 20-1/2" × 35-1/2" trays
- (2) Pull out supports for ladder transport
- (2) 2" × 4" wheels
- (2) 2" × 4" locking swivel casters

**Maximum Weight Capacity:** 800 lbs.  
**Size:** 36" high, 44" long, 21" wide  
**Weight:** 81 lbs.



**BWC43UC**

**BURNDY® Wire Caddies**

**Utility Cart**

The BWC43UC Utility Cart is designed with:

- (2) 20-1/2" × 35-1/2" trays
- (2) Pull out supports for ladder transport
- (3) 1/2" solid steel spindles with 16" traverse
- (2) Slots for conduit benders
- (1) Fish tape holder

Trays and bins for fittings and hardware

- (2) 2" × 4" wheels
- (2) 2" × 4" locking swivel casters

**Maximum Weight Capacity:** 800 lbs.  
**Size:** 36" high, 44" long, 21" wide  
**Weight:** 114 lbs.



**BWC43TRC**

**BURNDY® Wire Caddies**

**Triple Reel Caddy**

The BWC43TRC Triple Reel Caddy is designed for dispensing medium diameter, heavy reels. Great for 1,000' reels of MC or THHN. (3) 3/4" solid steel spindles under 1" tubing sleeves for easy pay out.

**Maximum Weight Capacity:** 750 lbs.  
**Capacity:** 21" traverse, 36" diameter (per spindle)  
**Size:** 20-1/2" high, 52-1/2" long, 28" wide  
**Weight:** 98 lbs.



## EXPANDED RANGES

The following connectors are range taking when crimped onto code conductor using Y644HS family of tools:



### COPPER

### ALUMINUM

Copper HYLUG™ & HYLINK™ Connectors Types YA, YA-L, YAB, YS, YS-L, YST, YS-T, YSP-T			
Catalog No.		Standard	Expanded
Terminal*	Splice**	Wire Size	Wire Range
YA6C-	YS6C-	#6 AWG	#6 AWG
YA5C-	YS5C-	#5 AWG	#5 - #6 AWG
YA4C-	YS4C-	#4 AWG	#4 - #6 AWG
YA3C-	YS3C-	#3 AWG	#3 - #6 AWG
YA2C-	YS2C-	#2 AWG	#2 - #6 AWG
YA1C-	YS1C-	#1 AWG	#1 - #6 AWG
YA25-	YS25-	1/0 AWG	1/0 - #6 AWG
YA26-	YS26-	2/0 AWG	2/0 - #4 AWG
YA27-	YS27-	3/0 AWG	3/0 - #2 AWG
YA28-	YS28-	4/0 AWG	4/0 - #1 AWG
YA29-	YS29-	250 kcmil	250 kcmil - 1/0 AWG
YA30-	YS30-	300 kcmil	300 kcmil - 2/0 AWG
YA31-	YS31-	350 kcmil	350 kcmil - 3/0 AWG
YA32-	YS32-	400 kcmil	400 kcmil - 4/0 AWG
YA34-	YS34-	500 kcmil	500 kcmil - 4/0 AWG
YA36-	YS36-	600 kcmil	600 - 250 kcmil
YA39-	YS39-	750 kcmil	750 - 500 kcmil
YA40-	YS40-	800 kcmil	800 - 500 kcmil
YA44-	YS44-	1000 kcmil	1000 - 750 kcmil

Aluminum HYLUG™ & HYLINK™ Connectors Types YA-A & YS-A			
Catalog No.		Standard	Expanded
Terminal*	Splice**	Wire Size	Wire Range
YA6CA-	YS6CA-	#6 AWG	#6 AWG
YA4CA-	YS4CA-	#4 AWG	#4 - #6 AWG
YA2CA-	YS2CA-	#2 AWG	#2 - #6 AWG
YA1CA-	YS1CA-	#1 AWG	#1 - #2 AWG
YA25A-	YS25A-	1/0 AWG	1/0 - #1 AWG
YA26A-	YS26A-	2/0 AWG	2/0 - #1 AWG
YA27A-	YS27A-	3/0 AWG	3/0 - #1 AWG
YA28A-	YS28A-	4/0 AWG	4/0 - #1 AWG
YA29A-	YS29A-	250 kcmil	250 kcmil - 1/0 AWG
YA30A-	YS30A-	300 kcmil	300 kcmil - 2/0 AWG
YA31A-	YS31A-	350 kcmil	350 kcmil - 3/0 AWG
YA32A-	YS32A-	400 kcmil	400 kcmil - 4/0 AWG
YA34A-	YS34A-	500 kcmil	500 kcmil - 4/0 AWG
YA36A-	YS36A-	600 kcmil	600 - 250 kcmil
YA39A-	YS39A-	750 kcmil	750 - 500 kcmil
YA40A-	YS40A-	800 kcmil	800 - 500 kcmil
YA44A-	YS44A-	1000 kcmil	1000 - 750 kcmil

\* 1 Crimp  
\*\* 1 Crimp per side

\* 1 Crimp  
\*\* 1 Crimp per side



## EXPANDED RANGES

The following connectors are range taking when crimped onto code & flex conductor using 4-POINT® family of tools:



### ALUMINUM CONNECTORS

Aluminum & Copper Conductor (Code & Compact)				
Conductor		Connector		
Wire Size	Expanded Range	Terminal	Splice	# Crimps
#8 AWG	#8 AWG	YA8CA-	YS8CA-	1
#6 AWG	#6 AWG	YA6CA-	YS6CA-	1
#4 AWG	#6 - #4 AWG	YA4CA-	YS4CA-	1
#2 AWG	#6-#2 AWG	YA2CA-	YS2CA-	2
#1 AWG	#6-#1 AWG	YA1CA-	YS1CA-	2
1/0 AWG	#6-1/0 AWG	YA25A-	YS25A-	2
2/0 AWG	#4 - 2/0 AWG	YA26A-	YS26A-	2
3/0 AWG	#2 - 3/0 AWG	YA27A-	YS27A-	2
4/0 AWG	#1 - 4/0 AWG	YA28A-	YS28A-	2
250 kcmil	1/0 - 250	YA29A-	YS29A-	2
300 kcmil	2/0 - 300	YA30A-	YS30A-	2
350 kcmil	3/0 - 350	YA31A-	YS31A-	3
400 kcmil	4/0 - 400	YA32A-	YS32A-	4
500 kcmil	4/0 - 500	YA34A-	YS34A-	4
600 kcmil	250 - 600	YA36A-	YS36A-	4
750 kcmil	500-750	YA39A-	YS39A-	4

### AYP/AYPO CONNECTORS

(Aluminum and Copper — Code & Compact)				
Wire Size	Expanded Range	Pin		# Crimps
		Straight	Offset	
#6 AWG	#6 AWG	AYP6	—	1
#4 AWG	#4 AWG	AYP4	—	1
#2 AWG	#4 - #2 AWG	AYP2	—	1
#1 AWG	#2 - #1 AWG	AYP1	—	1
1/0 AWG	#2 - 1/0 AWG	AYP1/0	—	1
2/0 AWG	#1 - 2/0 AWG	AYP2/0	AYPO2/0	2
3/0 AWG	1/0 - 3/0 AWG	AYP3/0	AYPO3/0	2
4/0 AWG	2/0 - 4/0 AWG	AYP4/0	AYPO4/0	2
250 kcmil	3/0 - 250 kcmil	AYP250	AYPO250	2
300 kcmil	4/0 - 300 kcmil	AYP300	AYPO300	2
350 kcmil	250 - 350 kcmil	AYP350	AYPO350	2
400 kcmil	350 - 500 kcmil	AYP400	AYPO400	2
500 kcmil	350 - 500 kcmil	AYP500	AYPO500	2
600 kcmil	400 - 600 kcmil	AYP600	AYPO600	3
750 kcmil	500 - 750 kcmil	AYP750	AYPO750	3

### COPPER CONNECTORS

Copper Conductor (Code & Compact)							
Conductor		Standard Barrel			Long Barrel		
Wire Size	Expanded Range	Terminal	Splice	# of Crimps*	Terminal	Splice	# of Crimps*
#8 AWG	#8 AWG	YA8CL-	YS8CL-	1	YA8C-	YS8C-	1
#6 AWG	#6 AWG	YA6CL-	YS6CL-	1	YA6C-	YS6C-	1
#4 AWG	#6 - #4	YA4CL-	YS4CL-	1	YA4C-	YS4C-	1
#2 AWG	#6-#2	YA2CL-	YS2CL-	1	YA2C-	YS2C-	2
#1 AWG	#6-#1	YA1CL-	YS1CL-	1	YA1C-	YS1C-	2
1/0 AWG	#6-1/0	YA25L-	YS25L-	1	YA25-	YS25-	2
2/0 AWG	#4 - 2/0	YA26L-	YS26L-	1	YA26-	YS26-	2
3/0 AWG	#2 - 3/0	YA27L-	YS27L-	2	YA27-	YS27-	2
4/0 AWG	#1 - 4/0	YA28L-	YS28L-	2	YA28-	YS28-	2
250 kcmil	1/0 - 250	YA29L-	YS29L-	2	YA29-	YS29-	2
300 kcmil	2/0 - 300	YA30L-	YS30L-	2	YA30-	YS30-	3
350 kcmil	3/0 - 350	YA31L-	YS31L-	2	YA31-	YS31-	3
400 kcmil	4/0 - 400	YA32L-	YS32L-	2	YA32-	YS32-	3
500 kcmil	4/0 - 500	YA34L-	YS34L-	2	YA34-	YS34-	4
600 kcmil	250 - 600	YA36L-	YS36L-	2	YA36-	YS36-	4
700 kcmil	350-700	YA38L-	YS38L-	3	YA38-	YS38-	4
750 kcmil	500-750	YA39L-	YS39L-	3	YA39-	YS39-	4
800 kcmil	500-800	YA40L-	YS40L-	3	YA40-	YS40-	4
1000 kcmil	750-1000	YA44L-	YS44L-	3	YA44-	YS44-	4

\*Same number of recommended crimps for both Standard and Expanded wire ranges

## EXPANDED RANGES

The following connectors are range taking when crimped onto code & flex conductor using 4-POINT® family of tools:



## COPPER CONNECTORS

Copper Conductor (Flex Only)								
Nominal Flex Wire Size	Standard Barrel				Long Barrel			
	Expanded Range	Terminal	Splice	# of Crimps	Expanded Range	Terminal	Splice	# of Crimps
#8 AWG	#8 AWG	YAV8CL-	YSV8CL-	1	#8 AWG	YAV8C-	YSV8C-	1
#6 AWG	#6 AWG	YAV6CL-	YSV6CL-	1	#6 AWG	YAV6C-	YSV6C-	1
#4 AWG	#6 - #4 AWG	YAV4CL-	YSV4CL-	1	#6 - #4 AWG	YAV4C-	YSV4C-	1
#2 AWG	#6 - #2 AWG	YAV2CL-	YSV2CL-	1	#6 - #2 AWG	YAV2C-	YSV2C-	1
#1 AWG	#4 - #1 AWG	YAV1CL-	YSV1CL-	1	#4 - #1 AWG	YAV1C-	YSV1C-	1
1/0 AWG	#4 - 1/0 AWG	YAV25L-	YSV25L-	1	#6 - 1/0 AWG	YAV25-	YSV25-	2
2/0 AWG	#2 - 2/0 AWG	YAV26L-	YSV26L-	1	#4 - 2/0 AWG	YAV26-	YSV26-	2
3/0 AWG	#1 - 3/0 AWG	YAV27L-	YSV27L-	1	#2 - 3/0 AWG	YAV27-	YSV27-	2
4/0 AWG	1/0 - 4/0 AWG	YAV28L-	YSV28L-	1	#1 - 4/0 AWG	YAV28-	YSV28-	2
250 kcmil	3/0 - 250	YAV29L-	YSV29L-	1	1/0 - 250	YAV29-	YSV29-	2
300 kcmil	4/0 - 313.1	YA32L-	YS32L-	1	2/0 - 313.1	YA32-	YS32-	2
350 kcmil	250 - 373.7	YA34L-	YS34L-	1	3/0 - 373.7	YA34-	YS34-	2
450 kcmil	250 - 444.4	YA36L-	YS36L-	1	4/0 - 444.4	YA36-	YS36-	2
500 kcmil	373.7 - 535.3	YA38L-	YS38L-	1	4/0 - 535.3	YA38-	YS38-	2
600 kcmil	373.7 - 600	YA39L-	YS39L-	2	250 - 600	YA39-	YS39-	3
650 kcmil	444.4 - 646	YA40L-	YS40L-	2	373.3 - 646	YA40-	YS40-	3
750 kcmil	535.3 - 777.7	YA44L-	YS44L-	2	535.3 - 777.7	YA44-	YS44-	3

## COPPER CONNECTORS

E-Line Connectors							
Wire Size	Expanded Wire Range	Aluminum			Copper		
		Offset Cat. No.	Centerformed Cat. No.	No. of Crimps	Offset Cat. No.	Centerformed Cat. No.	No. of Crimps
#8 AWG	#8 AWG	YA8CA-T-E		1			
#6 AWG	#6 AWG						
#4 AWG	#6 - #4						
#2 AWG	#6-#2	YA2CA-T-E	YAC2CA-T-E	1			
#1 AWG	#6-#1						
1/0 AWG	#6-1/0	YA25A-T-E		1	YA25L-T-E	YAC25L-T-E	1
2/0 AWG	#4 - 2/0	YA26A-T-E		2	YA26L-T-E	YAC26L-T-E	1
3/0 AWG	#2 - 3/0	YA27A-T-E	YAC27A-T-E	2			
4/0 AWG	#1 - 4/0	YA28A-T-E		2			
250 kcmil	1/0 - 250						
300 kcmil	2/0 - 300	YA30A-T-E		2	YA30L-T-E	YAC30L-T-E	2
350 kcmil	3/0 - 350	YA31A-T-E	YAC31A-T-E	2			
400 kcmil	4/0 - 400	YA32A-T-E		4			
500 kcmil	4/0 - 500	YA34A-T-E		4	YA34L-T-E		2
500 kcmil	4/0-500				YA342L-T-E		2
600 kcmil	250 - 600	YA36A-T-E		4	YA36L-T-E		2
600 kcmil	250-600				YA362L-T-E		2
700 kcmil	350-700						
750 kcmil	500-750	YA39A-T-E		4	YA39L-T-E		2
750 kcmil	500-750				YA392L-T-E		2
800 kcmil	500-800						
1000 kcmil	750-1000						

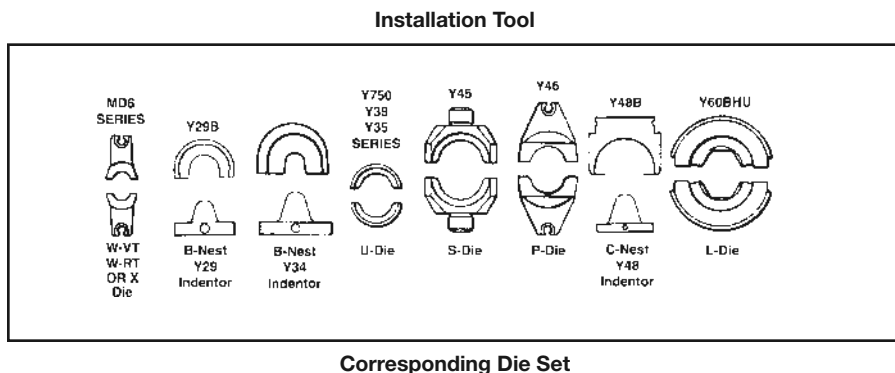
\*Same number of recommended crimps for both Standard and Expanded wire ranges



**PRESENT INSTALLATION TOOL INDEX**

This chart provides a cross-reference between die index numbers marked on **BURNDY® COMPRESSION CONNECTORS** and the **CORRESPONDING DIE SETS** used with the various **BURNDY® INSTALLATION TOOLS**. This is the only way to have a BURNDY® compression system.

A die index number has been assigned to each required groove configuration. A prefix letter is used to indicate the specific installation tool for which the die has been designed, as shown below.



**DIE IDENTIFICATION NUMBERING SYSTEM**

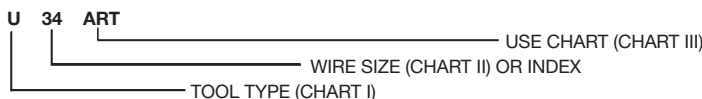


CHART I			
A - Y34A	E - Y44B	P - Y46	X - OUR840/MD-6
B - Y34BH	F - Y486RB	S - Y45	
C - Y48B	G - Y34C	U - Y35	
	L - Y60B	W - MD-6/OUR840	

CHART II				
12 - #12	4C - #4	26 - 2/0	31 - 350 kcmil	Or Index
10 - #10	3C - #3	27 - 3/0	32 - 400 kcmil	i.e., U312
8C - # 8	2C - #2	28 - 4/0	34 - 500 kcmil	312 Die Index
6C - # 6	1C - #1	29 - 250 kcmil	36 - 600 kcmil	
5C - # 5	25 - 1/0	30 - 300 kcmil	39 - 750 kcmil	
			44 - 1000 kcmil	

CHART III	
A - Aluminum	
B - Indentor Nest (Used with Indentor Die # Y34P**)	
R - Round Die (Circumferential)	
T - Twin Die (Both Halves)	

**PRESENT INSTALLATION TOOL INDEX**

DIE		DIELESS TOOLS		INSTALLATION TOOLING USING DIES												
GROOVE		MECH.	HYDR.	DIE INFORMATION		MECHANICAL			HYDRAULIC							
BURNDY	EI	MR, MY	Y644	TYPE	COLOR	MD6	OUR840	Y29B <sup>⑤</sup>	Y34B	Y35 ①	Y39	Y750 ①	Y45 ②	Y46 ③	Y48B	Y608HU
A				DIE SET						U-A	U-A	U-A	U-A	U-A		
BG				DIE SET		Perm GR W-BG	X-BG X-NBG			U-BG	U-BG	U-BG	U-BG	U-BG		
C				DIE SET	BROWN	W-C				U-C	U-C	U-C	U-C	U-C		
D				DIE SET						U-D	U-D	U-D	U-D	U-D		
D3				DIE SET	BLUE					U-YFD	U-YFD	U-YFD	U-YFD	U-YFD		
						Perm GR	U-D3	U-D3	U-D3	U-D3	U-D3					
E				DIE SET						U-E	U-E	U-E	U-E	U-E		
F				DIE SET						U-F	U-F	U-F	U-F	U-F		
H				DIE SET						U-H	U-H	U-H	U-H	U-H		
K-1/4				DIE SET		WK14										
K-5/16				DIE SET		WK516				UK516T	UK516T	UK516T	UK516T	UK516T		
K-3/8				DIE SET		WK38				UK38T	UK38T	UK38T	UK38T	UK38T		
K-1/2				DIE SET		WK12										
K-9/16				DIE SET		WK916				UK916T	UK916T	UK916T	UK916T	UK916T		
K-19/32				DIE SET		WK1932										
K-5/8-1				DIE SET						UK581T	UK581T	UK581T	UK581T	UK581T		
K-11/16				DIE SET		WK1116				UK1116T	UK1116T	UK1116T	UK1116T	UK1116T		
K-3/4				DIE SET						UK34T	UK34T	UK34T	UK34T	UK34T		
K-1				DIE SET						UK1T	UK1T	UK1T	UK1T	UK1T		
K-1-5/16				DIE SET						UK1516T	UK1516T	UK1516T	UK1516T	UK1516T		
K-635				DIE SET		WK737				UK737T	UK737T	UK737T	UK737T	UK737T		
K-747				DIE SET		WK747										
K-781				DIE SET		WK781										
K-840				DIE SET		W-K840				U-K840	U-K840	U-K840	U-K840	U-K840		
KB				DIE SET		WKB				UKBT	UKBT	UKBT	UKBT	UKBT		
KBKT				DIE SET						UKBKTT	UKBKTT	UKBKTT	UKBKTT	UKBKTT		
KC				DIE SET						UKCT	UKCT	UKCT	UKCT	UKCT		
KK				DIE SET		WKK										
KR				DIE SET	YELLOW										P-YFR	
															S-KR	P-KR
KT				DIE SET		WKT										
KU				DIE SET						UKUT	UKUT	UKUT	UKUT	UKUT		
L				DIE SET		W-L				U-L	U-L	U-L	U-L	U-L		
L80				DIE SET	—					U32XRT	U32XRT	U32XRT	U32XRT	U32XRT		
L99				DIE SET	PINK					U38XRT	U38XRT	U38XRT	U38XRT	U38XRT		
L115				DIE SET	YELLOW					U44XRT	U44XRT	U44XRT	U44XRT	U44XRT		
M				DIE SET						U-M	U-M	U-M	U-M	U-M		
N				DIE SET	RED					U-YFN	U-YFN	U-YFN	U-YFN	U-YFN	P-YFN	
												U-N	U-N	U-N	S-N	P-N
O				DIE SET	GREEN					U-YFO	U-YFO	U-YFO	U-YFO	U-YFO		
						Perm GR W-O	U-O	U-O	U-O	U-O	U-O					
Q				DIE SET		W-Q										

① Cat. No. Y35P3 Adaptor is required to use "Y34PR" type indentors with "U" type nest dies in Y35 and Y750 series tools.  
 ② Cat. No. PT6515 Adaptor is required to use "U" type dies in Y45 series tools.  
 ③ Cat. No. PUADP-1 Adaptor is required to use "U" type dies in Y46 series tools.  
 ④ The MD6-6R2 ratchet tool is required on these sizes. The standard MD6 or MD6R ratchet tools will not work.  
 ⑤ Also pneumatic version Y29NC.

PRESENT INSTALLATION TOOL INDEX (Continued)

DIE		DIELESS TOOLS		INSTALLATION TOOLING USING DIES												
GROOVE		MECH.	HYDR.	DIE INFORMATION			MECHANICAL		HYDRAULIC							
BURNDY	EEI	MR, MY	Y644	TYPE	COLOR	MD6	OUR840	Y29B ⑤	Y34B	Y35 ①	Y39	Y750 ①	Y45 ②	Y46 ③	Y48	Y60BHU
R				DIE SET						U-R	U-R	U-R	U-R	U-R		
T				DIE SET									S-T			
Z				DIE SET									S-Z			
7		MR4C	1	DIE SET	BLUE	W5CRT				U5CRT	U5CRT	U5CRT	U5CRT	U5CRT		
94		MY29-3 MY29-11	CRIMP	NEST INDENTOR				D6CL	B6CD	U6CD-1	U6CD-1	U6CD-1	U6CD-1	U6CD-1		
8		MR4C	1	DIE SET	GRAY	W4CRT	W4CRT			U4CRT	U4CRT	U4CRT	U4CRT	U4CRT		
95		MY29-3 MY29-11	CRIMP	NEST INDENTOR				D4CL	B4CD	U4CD-1	U4CD-1	U4CD-1	U4CD-1	U4CD-1		
9		MY29-3	1	DIE SET	WHITE	W3CRT	W3CRT			U3CRT	U3CRT	U3CRT	U3CRT	U3CRT		
96		MY29-11	CRIMP	NEST INDENTOR				D3CL	B3CD	U3CD-1	U3CD-1	U3CD-1	U3CD-1	U3CD-1		
10		MY29-3	1	DIE SET	BROWN	W2CRT				U2CRT	U2CRT	U2CRT	U2CRT	U2CRT		
97		MY29-11	CRIMP	NEST INDENTOR				D2CL	B2CD	U2CD-1	U2CD-1	U2CD-1	U2CD-1	U2CD-1		
11		MY29-3	1	DIE SET	GREEN	W1CRT				U1CRT	U1CRT	U1CRT	U1CRT	U1CRT		
98		MY29-11	CRIMP	NEST INDENTOR				D1CL	B1CD	U1CD-1	U1CD-1	U1CD-1	U1CD-1	U1CD-1		
12		MY29-3	1	DIE SET	PINK	W25RT	W25RT			U25RT	U25RT	U25RT	U25RT	U25RT		
99		MY29-11	CRIMP	NEST INDENTOR				D25L	B25D	U25D-1	U25D-1	U25D-1	U25D-1	U25D-1		
13		MY29-3	1	DIE SET	BLACK	W26RT				U26RT	U26RT	U26RT	U26RT	U26RT		
100		MY29-11	CRIMP	NEST INDENTOR				D26CL	B26D	U26D-1	U26D-1	U26D-1	U26D-1	U26D-1		
14		MY29-3	1	DIE SET	ORANGE	W27RT				U27RT	U27RT	U27RT	U27RT	U27RT		
101		MY29-11	CRIMP	NEST INDENTOR				D27L	B27D	U27D-1	U27D-1	U27D-1	U27D-1	U27D-1		
15		MY29-3	1	DIE SET	PURPLE	W28RT				U28RT	U28RT	U28RT	U28RT	U28RT	C28R	
99		MY29-11	CRIMP	NEST INDENTOR				D28L	B28D	U28D-1	U28D-1	U28D-1	U28D-1	U28D-1	C28D	
16		MY29-3	1	DIE SET	YELLOW	W29RT ④				U29RT	U29RT	U29RT	U29RT	U29RT	C29R	
99		MY29-11	CRIMP	NEST INDENTOR				D29L	B29D		U29D-1	U29D-1	U29D-1	U29D-1	C29D	
17			1	DIE SET	WHITE	W30RT ④				U30RT	U30RT	U30RT	U30RT	U30RT	C30R	L30RT
99			CRIMP	NEST INDENTOR					B30D		U30D-1	U30D-1	U30D-1	U30D-1	C30D	
18			1	DIE SET	RED	W31RT ④				U31RT	U31RT	U31RT	U31RT	U31RT	C31R	L31RT
99			CRIMP	NEST INDENTOR					B31D		U31D-1	U31D-1	U31D-1	U31D-1	C31D	
19			1	DIE SET	BLUE	W32RT ④				U32RT	U32RT	U32RT	U32RT	U32RT	C32R	L32RT
99			CRIMP	NEST INDENTOR					B32D		U32D-1	U32D-1	U32D-1	U32D-1	C32D	
20			1	DIE SET	BROWN	W34RT ④				U34RT	U34RT	U34RT	U34RT	U34RT	C34R	L34RT
99			CRIMP	NEST INDENTOR					NO DIE		U34D-1	U34D-1	U34D-1	U34D-1	C34D	
									Y34PR		Y34PR	Y34PR	Y34PR	Y34PR	Y48PR	

① Cat. No. Y35P3 Adapter is required to accommodate "Y34PR" type indentor in Y35, Y39, Y750 HYTOOLS and with the PUADP-1 adapter in the Y46 and with the PT6515 adapter in the Y45.  
 ② Cat. No. PT6515 Adapter is required to use "U" type dies in Y45 series tools.  
 ③ Cat. No. PUADP-1 Adapter is required to use "U" type dies in Y46 series tools.

④ The MD6-6R2 ratchet tool is required on these sizes. The standard MD6 or MD6R ratchet tools will not work.  
 ⑤ Also pneumatic version Y29NC.  
 ⑥ Use U11T-1 for YH8C8C.  
 ⑦ Hexagonal crimp.  
 ⑧ Die 302 recommended for 1.84 O.D. barrel.

PRESENT INSTALLATION TOOL INDEX (Continued)

DIE		DIELESS TOOLS		INSTALLATION TOOLING USING DIES												
GROOVE		MECH.	HYDR.	DIE INFORMATION		MECHANICAL			HYDRAULIC							
BURNDY	EEI	MR, MY	Y644	TYPE	COLOR	MD6	OUR840	Y29B ⑤	Y34B	Y35 ①	Y39	Y750 ①	Y45 ②	Y46 ③	Y48	Y60BHU
21			1 CRIMP	DIE SET	YELLOW						U35RT	U35RT	U35RT	U35RT		
				NEST INDENTOR												C35D
22			1 CRIMP	DIE SET	GREEN						U36RT	U36RT	U36RT	U36RT	C36R	L36RT
				NEST INDENTOR											P36D	C36D
23			1 CRIMP	DIE SET	ORANGE										C37R	
				NEST INDENTOR												C37D
24			1 CRIMP	DIE SET	BLACK						U39RT	U39RT	S39RT	P39RT	C39R	L39RT
				NEST INDENTOR											P39D	C39D
25			1 CRIMP	DIE SET	ORANGE								S40RT	P40RT	C40R	L40RT
				NEST INDENTOR												P40D
26			1 CRIMP	DIE SET	GOLD											
				NEST INDENTOR												
27			1 CRIMP	DIE SET	WHITE								S44RT	P44RT	C44R	L44RT
				NEST INDENTOR												P44D
28				DIE SET												
				NEST INDENTOR												
29				DIE SET	YELLOW									P45RT	C45R	L45RT
				NEST INDENTOR												
30				DIE SET	ORANGE											
				NEST INDENTOR												
31				DIE SET	GREEN								S46RT	P46RT	C46R	L46RT
				NEST INDENTOR												No Nest
33				DIE SET	GRAY										C47R	L47RT
				NEST INDENTOR												
34				DIE SET	BROWN											L48RT
				NEST INDENTOR												
38		MR4C MR8G98 MR89Q MY28 Y8MRB-1		NEST INDENTOR				DV8L	BV8L	UV8L	UV8L	UV8L	UV8L	UV8L		
								Y29PL	Y34PL	Y34PL	Y34PL	Y34PL	Y34PL	Y34PL		
39		MR4C MY28		NEST INDENTOR				DV6L	BV6L	UV6L	UV6L	UV6L	UV6L	UV6L		
								Y29PL	Y34PLA	Y34PLA	Y34PLA	Y34PLA	Y34PLA	Y34PLA		

① Cat. No. Y35P3 Adapter is required to accommodate "Y34PR" type indenter in Y35, Y39, Y750 HYTOOLS and with the PUADP-1 adapter in the Y46 and with the PT6515 adapter in the Y45.  
 ② Cat. No. PT6515 Adapter is required to use "U" type dies in Y45 series tools.

③ Cat. No. PUADP-1 Adapter is required to use "U" type dies in Y46 series tools.  
 ⑤ Also pneumatic version Y29NC.

**PRESENT INSTALLATION TOOL INDEX (Continued)**

DIE		DIELESS TOOLS		INSTALLATION TOOLING USING DIES													
GROOVE		MECH.	HYDR.	DIE INFORMATION		MECHANICAL		HYDRAULIC									
BURNDY	EEL	MR, MY	Y644	TYPE	COLOR	MD6	OUR840	Y29B ⑤	Y34B	Y35 ①	Y39	Y750 ①	Y45 ②	Y46 ③	Y48	Y608HU	
40		MR4C MY28		NEST INDENTOR				DV4L	BV4L	UV4L	UV4L	UV4L	UV4L	UV4L			
								Y29PL	Y34PLA	Y34PLA	Y34PLA	Y34PLA	Y34PLA	Y34PLA			
41		MY28		NEST INDENTOR				DV2L	BV2L	UV2L	UV2L	UV2L	UV2L	UV2L			
								Y29PL	Y34PLA	Y34PLA	Y34PLA	Y34PLA	Y34PLA	Y34PLA			
42		MY28		NEST INDENTOR				DV1L	BV1L	UV1L	UV1L	UV1L	UV1L	UV1L			
								Y29PL	Y34PLA	Y34PLA	Y34PLA	Y34PLA	Y34PLA	Y34PLA			
43		MY28		NEST INDENTOR				DV25L	BV25L	UV25L	UV25L	UV25L	UV25L	UV25L			
								Y29PL	Y34PA	Y34PA	Y34PA	Y34PA	Y34PA	Y34PA			
44		MY28		NEST INDENTOR				DV26L	BV26L	UV26L	UV26L	UV26L	UV26L	UV26L			
								Y29PL	Y34PA	Y34PA	Y34PA	Y34PA	Y34PA	Y34PA			
45		MY28		NEST INDENTOR					BV27L	UV27L	UV27L	UV27L	UV27L	UV27L			
									Y34PA	Y34PA	Y34PA	Y34PA	Y34PA	Y34PA			
46		MY28		NEST INDENTOR					BV28L	UV28L	UV28L	UV28L	UV28L	UV28L			
									Y34PA	Y34PA	Y34PA	Y34PA	Y34PA	Y34PA			
49				DIE SET	RED	W8CRT			*	U8CRT	U8CRT	U8CRT	U8CRT	U8CRT			
161				DIE SET		W161	X-161			U161	U161	U161	U161	U161			
162				DIE SET		W162	W162			U162	U162	U162	U162	U162	C162		
163 505				DIE SET		W163	W163			U163	U163	U163	U163	U163	C163		
164 275				DIE SET		W164				U164	U164	U164	U164	U164	C164		
165 205,287 339				DIE SET		W165	X-165			U165/ U205	U165/ U205	U165/ U205	U165/ U205	U165/ U205	C165	L165	
166 206,459				DIE SET		W166				U166/ U459	U166/ U459	U166/ U459	U166/ U459	U166/ U459	C166	L166	
167 207,211 256,568				DIE SET		W167				U167/ U568	U167/ U568	U167/ U568	U167/ U568	U167/ U568	C167	L167	
168 208				DIE SET						U168	U168	U168	U168	U168	C168	L168	
169				DIE SET						U169	U169	U169	U169	U169	C169	L169	
170 306				DIE SET						U170	U170	U170	U170	U170	C170	L170	
171				DIE SET		W171				U171	U171	U171	U171	U171			
193				DIE SET						U193	U193	U193	U193	U193	C193	L193	
202				DIE SET						U202	U202	U202	U202	U202			
203				DIE SET						U203	U203	U203	U203	U203			
204				DIE SET						U204	U204	U204	U204	U204			
205 165,287 339				DIE SET			X-165			U165/ U205	U165/ U205	U165/ U205	U165/ U205	U165/ U205			
206 166 459				DIE SET	W166					U166/ U459	U166/ U459	U166/ U459	U166/ U459	U166/ U459		L166	
207 167,211 256,568				DIE SET	W167					U167/ U568	U167/ U568	U167/ U568	U167/ U568	U167/ U568	C167	L167	
208 168				DIE SET						U168	U168	U168	U168	U168	C168	L168	
209				DIE SET						U209	U209	U209	U209	U209	C209	L209	
210				DIE SET						U210	U210	U210	U210	U210	C210	L210	

① Cat. No. Y35P3 Adapter is required to accommodate "Y34PR" type indenter in Y35, Y39, Y750 HYTOOLS and with the PUADP-1 adapter in the Y46 and with the PT6515 adapter in the Y45.

② Cat. No. PT6515 Adapter is required to use "U" type dies in Y45 series tools.

③ Cat. No. PUADP-1 Adapter is required to use "U" type dies in Y46 series tools.

⑤ Also pneumatic version Y29NC.

\* Add Nest (BV8L) & Indentor (Y34PL) for Y34B.

**PRESENT INSTALLATION TOOL INDEX (Continued)**

DIE		DIELESS TOOLS		INSTALLATION TOOLING USING DIES												
GROOVE		MECH.	HYDR.	DIE INFORMATION		MECHANICAL			HYDRAULIC							
BURNDY	EEI	MR, MY	Y644	TYPE	COLOR	MD6	OUR840	Y29B ⑤	Y34B	Y35 ①	Y39	Y750 ①	Y45 ②	Y46 ③	Y48	Y60BHU
211 167, 211 256, 568				DIE SET		W167				U167/ U568	U167/ U568	U167/ U568	U167/ U568	U167/ U568	C167	L167
236				DIE SET		W236				U236	U236	U236	U236	U236		
237				DIE SET		W237	X-237			U237	U237	U237	U237	U237		
238				DIE SET		W238				U238	U238	U238	U238	U238		
239				DIE SET		W239	X-239			U239	U239	U239	U239	U239		
240				DIE SET	RED	W240				U240	U240	U240	U240	U240		
241				DIE SET		W241	X-241			U241	U241	U241	U241	U241		
242 244	3S/ 4S			DIE SET		W242				U242	U242	U242	U242	U242	C242	L242
243	8A			DIE SET		W243				U243	U243	U243	U243	U243	C243	L243
244 242	3S			DIE SET		W242				U242	U242	U242	U242	U242	C242	L242
245	9A			DIE SET		W245	X-245			U245	U245	U245	U245	U245	C245	L245
246 248	5S			DIE SET		W248				U248	U248	U248	U248	U248	C248	L248
247				DIE SET		W247	X-247			U247	U247	U247	U247	U247	C247	L247
248 246	5S			DIE SET		W248				U248	U248	U248	U248	U248	C248	L248
249	11A			DIE SET		W249	X-249			U249	U249	U249	U249	U249	C249	L249
250				DIE SET						U250	U250	U250	U250	U250	C250	L250
251	12A			DIE SET	RED	W251				U251	U251	U251	U251	U251	C251	L251
252				DIE SET						U252	U252	U252	U252	U252	C252	L252
253				DIE SET						U253	U253	U253	U253	U253	C253	L253
254				DIE SET									S254	P254	C254	L254
255				DIE SET						U255	U255	U255	U255	U255	C255	L255
256 167, 207 211, 568				DIE SET		W167				U167/ U568	U167/ U568	U167/ U568	U167/ U568	U167/ U568	C167	L167
257				DIE SET						U257	U257	U257	U257	U257	C257	L257
259				DIE SET						U259	U259	U259	U259	U259		
260				DIE SET											C260	L260
261 318	15A			DIE SET						U261	U261	U261	U261	U261	C261	L261
263				DIE SET						U263	U263	U263	U263	U263		
267				DIE SET						U267	U267	U267	U267	U267	C267	L267
275 164				DIE SET		W164				U164	U164	U164	U164	U164	C164	
276				DIE SET						U276	U276	U276	U276	U276		
285				DIE SET						U285	U285	U285	U285	U285		
287 165, 205 339				DIE SET		W165				U165/ U205	U165/ U205	U165/ U205	U165/ U205	U165/ U205		L165
292 578				DIE SET									S292	P292	C292	L292
293 294				DIE SET									S293	P293	C293	L293
296		MY29-3	1 CRIMP	DIE SET	TAN					U25ART	U25ART	U25ART	U25ART	U25ART	C25AR	
				NEST INDENTER											P27D	
297		MY29-3	1 CRIMP	DIE SET	OLIVE					U26ART	U26ART	U26ART	U26ART	U26ART	C26AR	
				NEST INDENTER											P29D	

① Cat. No. Y35P3 Adapter is required to accommodate "Y34PR" type indenter in Y35, Y39, Y750 HYTOOLS and with the PUADP-1 adapter in the Y46 and with the PT6515 adapter in the Y45.

② Cat. No. PT6515 Adapter is required to use "U" type dies in Y45 series tools.

③ Cat. No. PUADP-1 Adapter is required to use "U" type dies in Y46 series tools.

⑤ Also pneumatic version Y29NC.

**PRESENT INSTALLATION TOOL INDEX (Continued)**

Die		Dieless Tools		Installation Tooling Using Dies												
Groove		Mech.	Hydr.	Die Information		Mechanical			Hydraulic							
BURNDY	EEI	MR, MY	Y644	Type	Color	MD6	OUR840	Y29B ⑤	Y34B	Y35 ①	Y39	Y750 ①	Y45 ②	Y46 ③	Y48	Y60BHU
298		MY29-3	1 Crimp	Die Set	White					U28ART	U28ART	U28ART	U28ART	U28ART	C28AR	L28ART
				Nest Indentor											P31D	
299			1 Crimp	Die Set	Brown					U31ART	U31ART	U31ART	U31ART	U31ART	C31AR	L31ART
				Nest Indentor												P35D
300			1 Crimp	Die Set	Pink					U34ART	U34ART	U34ART	U34ART	U34ART	C34AR	L34ART
				Nest Indentor												
301			1 Crimp	Die Set	Red								S39ART	P39ART	C39AR ⑥	L39ART
				Nest Indentor												
302			1 Crimp	Die Set	Brown								S44ART	P44ART	C44AR	L44ART
				Nest Indentor												
304				Die Set						U304	U304	U304	U304	U304	C304	L304
305 341				Die Set						U305	U305	U305	U305	U305	C305	L305
306 170				Die Set						U170	U170	U170	U170	U170	C170	L170
308				Die Set						U308	U308	U308	U308	U308		
313				Die Set						U313	U313	U313	U313	U313	C313	L313
314 376				Die Set											C314	L314
316				Die Set						U316	U316	U316	U316	U316	C316	L316
317 426				Die Set						U317	U317	U317	U317	U317	C317	L317
318 261				Die Set						U261	U261	U261	U261	U261	C261	L261
319				Die Set									S319	P319	C319	L319
320				Die Set									S320	P320	C320	L320
321				Die Set						U321	U321	U321	U321	U321	C321	L321
322				Die Set						U322	U322	U322	U322	U322		
324			1 Crimp	Die Set	Red					U29ART	U29ART	U29ART	U29ART	U29ART	C29AR	L29ART
				Nest Indentor												
326 538				Die Set						U33RT	U33RT	U33RT	U33RT	U33RT		
327 14A				Die Set						U327	U327	U327	U327	U327	C327	L327
328				Die Set											C328	L328
329				Die Set						U329	U329	U329	U329	U329		
331				Die Set						U331	U331	U331	U331	U331		
339 165, 205 287				Die Set			X-339			U165/ U205	U165/ U205	U165/ U205	U165/ U205	U165/ U205		
341 305				Die Set						U305	U305	U305	U305	U305	C305	L305
342				Die Set									S342	P342	C342	L342
344				Die Set											C344	L344
345				Die Set											C345	L345
346 ⑦			1 Crimp	Die Set	Gray					U6CABT	U6CABT	U6CABT	U6CABT	U6CABT		

① Cat. No. Y35P3 Adapter is required to accommodate "Y34PR" type indentor in Y35, Y39, Y750 HYTOOLS and with the PUADP-1 adapter in the Y46 and with the PT6515 Adapter in the Y45.  
 ② Cat. No. PT6515 Adapter is required to use "U" type dies in Y45 series tools.  
 ③ Cat. No. PUADP-1 Adapter is required to use "U" type dies in Y46 series tools.

④ The MD6-6R2 ratchet tool is required on these sizes. The standard MD6 or MD6R ratchet tools will not work.  
 ⑤ Also pneumatic version Y29NC.  
 ⑥ Use C39AR round die 301 for 1.60 O.D. barrel. Use C39AR-2 hex die 936 for 1.46 O.D. barrel.  
 ⑦ Hexagonal crimp.  
 ⑧ Die 302 recommended for 1.84 O.D. barrel.

PRESENT INSTALLATION TOOL INDEX (Continued)

DIE		DIELESS TOOLS		INSTALLATION TOOLING USING DIES												
GROOVE		MECH.	HYDR.	DIE INFORMATION		MECHANICAL			HYDRAULIC							
BURNDY	EEI	MR, MY	Y644	TYPE	COLOR	MD6	OUR840	Y29B	Y34B	Y35 ①	Y39	Y750 ①	Y45 ②	Y46 ③	Y48	Y608HU
348		1 CRIMP		DIE SET	PINK					U2CABT	U2CABT	U2CABT	U2CABT	U2CABT		
350				DIE SET						U350	U350	U350	U350	U350	C350	L350
352				DIE SET									S352	P352	C352	L352
373				DIE SET						U373	U373	U373	U373	U373		
374		MY29-3		DIE SET	BLUE					U8CABT	U8CABT	U8CABT	U8CABT	U8CABT		
375		MY29-3	1 CRIMP	DIE SET	GREEN					U4CABT	U4CABT	U4CABT	U4CABT	U4CABT		
376	314			DIE SET											C314	L314
403				DIE SET						U403	U403	U403	U403	U403		
419				DIE SET									S419	P419	C419	L419
422				DIE SET												L422
426	317			DIE SET						U317	U317	U317	U317	U317	U317	
459	166			DIE SET						U166/459	U166/459	U166/459	U166/459	U166/459		
467		MY29-3	1 CRIMP	DIE SET	RUBY					U27ART	A27ART	U27ART	U27ART	U27ART	C27AR	
				NEST INDENTOR										P30D		
468				DIE SET						U468	U468	U468	U468	U468		
469				DIE SET									S469	P469	C469	L469
470			1 CRIMP	DIE SET	BLUE					U30ART	U30ART	U30ART	U30ART	U30ART	C30AR	L30ART
				NEST INDENTOR											P34D	C34D
471		MY29-3	1 CRIMP	DIE SET	GOLD					U1CART	U1CART	U1CART	U1CART	U1CART		
				NEST INDENTOR												
472			1 CRIMP	DIE SET	GREEN					U32ART	U32ART	U32ART	U32ART	U32ART	C32AR	L32ART
				NEST INDENTOR											P35D	C35D
473			1 CRIMP	DIE SET	BLACK					U36ART	U36ART	U36ART	U36ART	U36ART	C36AR	L36ART
				NEST INDENTOR											P44D	C44D
474			1 CRIMP	DIE SET	GOLD								S40ART	P40ART	C40AR	L40ART
				NEST INDENTOR												
478			1 CRIMP	DIE SET	BLUE										C46AR	L46ART
				NEST INDENTOR												
479				DIE SET	RED											L48ART
490	547			DIE SET						U490	U490	U490	U490	U490	C490	L490
495				DIE SET											C495	L495
505	163			DIE SET		W163				U163	U163	U163	U163	U163		L163
511		MY29-3		NEST INDENTOR												
512		MY29-3		NEST INDENTOR						B6CD						
513		MY29-3		NEST INDENTOR						B4CD						
514		MY29-3		NEST INDENTOR						B1CD						

① Cat. No. Y35P3 Adapter is required to accommodate "Y34PR" type indenter in Y35, Y39, Y750 HYTOOLS and with the PUADP-1 adapter in the Y46 and with the PT6515 adapter in the Y45.  
 ② Cat. No. PT6515 Adapter is required to use "U" type dies in Y45 series tools.

③ Cat. No. PUADP-1 Adapter is required to use "U" type dies in Y46 series tools.  
 ④ The MD6-6R2 ratchet tool is required on these sizes. The standard MD6 or MD6R ratchet tools will not work.  
 ⑤ Also pneumatic version Y29NC.  
 ⑥ Hexagonal crimp.



PRESENT INSTALLATION TOOL INDEX (Continued)

DIE		DIELESS TOOLS		INSTALLATION TOOLING USING DIES												
GROOVE		MECH.	HYDR.	DIE INFORMATION		MECHANICAL			HYDRAULIC							
BURNDY	EEI	MR, MY	Y644	TYPE	COLOR	MD6	OUR840	Y29B ⑤	Y34B	Y35 ①	Y39	Y750 ①	Y45 ②	Y46 ③	Y48	Y60BHU
515		MY29-3		NEST INDENTOR					B26D Y34PR5							
516		MY29-3		NEST INDENTOR					B27D Y34PR5							
517		MY29-3		NEST INDENTOR					B29D Y34PR5							
518		MY29-3		NEST INDENTOR					B30D Y34PR5							
519		MY29-3		NEST INDENTOR					B31D Y34PR5							
520		MY29-3		NEST INDENTOR					B32D Y34PR5							
521				NEST INDENTOR					No Nest Y34PR11						C34D Y48PR-1	
522				NEST INDENTOR											C35D Y48PR-1	
523				NEST INDENTOR											C35D Y48PR-1	
524				NEST INDENTOR											C39D Y48PR-1	
525				NEST INDENTOR											C44D Y48PR-1	
526				NEST INDENTOR											C45D Y48PR-1	
527				NEST INDENTOR											C45D Y48PR-1	
528				NEST INDENTOR											C46D Y48PR-1	
529				NEST INDENTOR											C46AD Y48PR-11	
538 326				DIE SET						U33RT	U33RT	U33RT	U33RT	U33RT		
547 490				DIE SET						U490	U490	U490	U490	U490	C490	L490
552				DIE SET						U552	U552	U552	U552	U552		
568 167, 207 211, 256				DIE SET		W167				U167/ U568	U167/ U568	U167/ U568	U167/ U568	U167/ U568		
575				DIE SET											C575	L575
576				DIE SET											C576	L576
578 292				DIE SET								S292	P292	C292	L292	
579				DIE SET								S579	P579	C579	L579	
587				DIE SET												L47ART
607				DIE SET						U607	U607	U607	U607	U607		
608				DIE SET						U608	U608	U608	U608	U608	C608	L608
609				DIE SET						U609	U609	U609	U609	U609	C609	
627				DIE SET											C627	L627
642				DIE SET						U642	U642	U642	U642	U642	C642	L642
643				DIE SET						U643	U643	U643	U643	U643		
647 ⑤				DIE SET											C45AR	L45ART

① Cat. No. Y35P3 Adapter is required to accommodate "Y34PR" type indenter in Y35, Y39, Y750 HYTOOLS and with the PUADP-1 adapter in the Y46 and with the PT6515 adapter in the Y45.  
 ② Cat. No. PT6515 Adapter is required to use "U" type dies in Y45 series tools.

③ Cat. No. PUADP-1 Adapter is required to use "U" type dies in Y46 series tools.  
 ④ Also pneumatic version Y29NC.  
 ⑤ Die 302 recommended for 1.84 O.D. barrel.

**PRESENT INSTALLATION TOOL INDEX (Continued)**

Die		Dieless Tools			Installation Tooling Using Dies											
Groove		Mech.	Hydr.	Die Information		Mechanical				Hydraulic						
BURNDY	EEl	MR, MY	Y644	Type	Color	MD6	OUR840	Y29B <sup>⑤</sup>	Y34B	Y35 <sup>①</sup>	Y39	Y750 <sup>①</sup>	Y45 <sup>②</sup>	Y46 <sup>③</sup>	Y48	Y60BHU
648				Die Set												L648
654				Die Set	Purple					U654	U654	U654	U654	P654		L654
655	13A			Die Set						U655	U655	U655	U655	U655		
658				Die Set						U658	U658	U658	U658	U658		
659				Die Set		W659				U659	U659	U659	U659	U659		
660				Die Set		W660	X-660			U660	U660	U660	U660	U660		
667				Die Set											C667	L667
668				Die Set						U668	U668	U668	U668	U668	C668	
676				Die Set						U676	U676	U676	U676	U676		
677				Die Set						U677	U677	U677	U677	U677		L677
678				Die Set						U678	U678	U678	U678	U678		
679				Die Set						U679	U679	U679	U679	U679		
684				Die Set												L684
687				Die Set		W687	X-687									
690	1S			Die Set		W690				U690	U690	U690	U690	U690		
691	2S			Die Set		W691				U691	U691	U691	U691	U691		
692	4S			Die Set		W692				U692	U692	U692	U692	U692		
693	6A			Die Set		W693				U693	U693	U693	U693	U693		
694	10A			Die Set		W694				U694	U694	U694	U694	U694		
702				Die Set		W702										
705				Die Set						U705	U705	U705	U705	U705		
717	⑦			Die Set									S717	P717		L717/L717W
718	⑦			Die Set												L718
719	⑦			Die Set									S719	P719		L719/L719W
720	⑦			Die Set									S720	P720		L720/L720W
721	⑦			Die Set												L721
722	⑦			Die Set									S722	P722	C722	L722/L722W
723	⑦			Die Set											C723	L723
724	⑦			Die Set									S724	P724	C724	L724/L724W
725	⑦			Die Set									S725	P725	C725	L725/L725W
726	⑦			Die Set												L726
727	⑦			Die Set												L727/L727W
728	⑦			Die Set												L728/L728W
729	⑦			Die Set												L729/L729W
735	⑦			Die Set												L735/L735W
740	⑦			Die Set												L740
786				Die Set						U786	U786	U786	U786	U786		
788				Die Set						U788	U788	U788	U788	U788		
789				Die Set												L789
936	⑦		1 Crimp	Die Set	Yellow					U39ART-2	U39ART-2	U39ART-2	U39ART-2	U39ART-2	C39ART-2	L39ART-2
997				Die Set	Orange					U997	U997	U997	U997	U997		
998				Die Set								PU998	S998	P998		
999				Die Set									S999	P999		
1011				Die Set								U1011	S1011	P1011		
1012				Die Set									S1012			
1013		MY29-11		Nest Indentor						UV8L	UV8L	UV8L	UV8L	UV8L		
										Y34PL	Y34PL	Y34PL	Y34PL	Y34PL		

① Cat. No. Y35P3 Adapter is required to accommodate "Y34PR" type indenter in Y35, Y39, Y750 HYTOOLS and with the PUADP-1 adapter in the Y46 and with the PT6515 adapter in the Y45.  
 ② Cat. No. PT6515 Adapter is required to use "U" type dies in Y45 series tools.  
 ③ Cat. No. PUADP-1 Adapter is required to use "U" type dies in Y46 series tools.

④ The MD6-6R2 ratchet tool is required on these sizes. The standard MD6 or MD6R ratchet tools will not work.  
 ⑤ Also pneumatic version Y29NC.  
 ⑥ Use C39AR round die 301 for 1.60 O.D. barrel. Use C39AR-2 hex die 936 for 1.46 O.D. barrel.  
 ⑦ Hexagonal crimp.

PRESENT INSTALLATION TOOL INDEX (Continued)

Die Groove		Dieless Tools		Installation Tooling Using Dies												
BURNDY	EEL	Mech. MR, MY	Hydr. Y644	Die Information		Mechanical		Hydraulic								
				Type	Color	MD6	OUR840	Y29B ④	Y34B	Y35 ①	Y39	Y750 ①	Y45 ②	Y46 ③	Y48B	Y608HU
1014		MY29-11		Nest Indentor						U6CD1 Y34PR	U6CD1 Y34PR	U6CD1 Y34PR	U6CD1 Y34PR	U6CD1 Y34PR		
1015		MY29-11		Nest Indentor						U4CD1 Y34PR	U4CD1 Y34PR	U4CD1 Y34PR	U4CD1 Y34PR	U4CD1 Y34PR		
1016		MY29-11		Nest Indentor						U3CD1 Y34PR	U3CD1 Y34PR	U3CD1 Y34PR	U3CD1 Y34PR	U3CD1 Y34PR		
1017		MY29-11		Nest Indentor						U2CD1 Y34PR	U2CD1 Y34PR	U2CD1 Y34PR	U2CD1 Y34PR	U2CD1 Y34PR		
1018		MY29-11		Nest Indentor						U1CD1 Y34PR	U1CD1 Y34PR	U1CD1 Y34PR	U1CD1 Y34PR	U1CD1 Y34PR		
1019		MY29-11		Nest Indentor						U25D1 Y34PR2	U25D1 Y34PR2	U25D1 Y34PR2	U25D1 Y34PR2	U25D1 Y34PR2		
1020		MY29-11		Nest Indentor						U26D1 Y34PR2	U26D1 Y34PR2	U26D1 Y34PR2	U26D1 Y34PR2	U26D1 Y34PR2		
1021		MY29-11		Nest Indentor						U27D1 Y34PR2	U27D1 Y34PR2	U27D1 Y34PR2	U27D1 Y34PR2	U27D1 Y34PR2		
1022		MY29-11		Nest Indentor						U28D1 Y34PR2	U28D1 Y34PR2	U28D1 Y34PR2	U28D1 Y34PR2	U28D1 Y34PR2		
1023		MY29-11		Nest Indentor						U29D1 Y34PR2	U29D1 Y34PR2	U29D1 Y34PR2	U29D1 Y34PR2	U29D1 Y34PR2		
1024				Nest Indentor						U30D1 Y34PR2	U30D1 Y34PR2	U30D1 Y34PR2	U30D1 Y34PR2	U30D1 Y34PR2		
1025				Nest Indentor						U31D1 Y34PR2	U31D1 Y34PR2	U31D1 Y34PR2	U31D1 Y34PR2	U31D1 Y34PR2		
1026				Nest Indentor						U32D1 Y34PR2	U32D1 Y34PR2	U32D1 Y34PR2	U32D1 Y34PR2	U32D1 Y34PR2		
1027				Nest Indentor						U34D1 Y34PR2	U34D1 Y34PR2	U34D1 Y34PR2	U34D1 Y34PR2	U34D1 Y34PR2		
1028				Nest Indentor										P36D P48PR1	C36D Y48PR1	
1029				Nest Indentor										P38D P48PR1	C38D Y48PR1	
1030				Nest Indentor										P39D P48PR1	C39D Y48PR1	
1031				Nest Indentor										P40D P48PR1	C40D Y48PR1	
1032				Nest Indentor										P44D P48PR1	C44D Y48PR1	
1102				Die Set	White										P1102	
1103				Die Set	Blue										P1103	
1104				Die Set	Brown							U1104			P1104	
1105				Die Set	Purple							U1105			P1105	
400				Nest Indentor						U38RT	U38RT	U38RT	U38RT	U38RT		C38D Y48PR
2000				Nest Indentor						U27B Y34PR15	U27B Y34PR15	U27B Y34PR15				

① Cat. No. Y35P3 Adapter is required to accommodate "Y34PR" type indentor in Y35, Y39, Y750 HYTOOLS and with the PUADP-1 adapter in the Y46 and with the PT6515 adapter in the Y45.  
 ② Cat. No. PT6515 Adapter is required to use "U" type dies

in Y45 series tools.  
 ③ Cat. No. PUADP-1 Adapter is required to use "U" type dies in Y46 series tools.  
 ④ Also pneumatic version Y29NC. Available in PIPEAM KIT

## Alpha-Numeric Index

CATALOG NO.	PAGE NO.	CATALOG NO.	PAGE NO.	CATALOG NO.	PAGE NO.	CATALOG NO.	PAGE NO.	CATALOG NO.	PAGE NO.
122EMT	109	BEB122EMT	109	BSC2H2A1B1FEBP	110	HH5-RL48	24	LPHTGRDVR11458	96
122IMC	109	BEB122PVC	109	BSC2H2C1DEBP	110	HHS-0/C-B11	94	LPHTGRDVR11858	96
122PVC	109	BEB122RIG	109	BSC2H3A2B	110	HHS-0/C-B13	94	LPHTHOSNCR666610	90, 96
122RIG	109	BEBSHOECASE	109	BSC2H5A	110	HHS-0/C-B16	94	LPHTHOSNCR6666100P	90, 96
12TONP1	62	BH864	104-107	BSC2H5B	110	HHS-0/C-B20	94	LPHTHOSNCR66668	88, 90, 96
ALFLUID™ GAL.	87	BHA12E	108	BSC2L	111	HIW-716R1	89	LPHTHOSNCR666680P	90, 96
ALFLUID™ QT.	87	BHA1E34R	108	BSC2L1C2DEBP	111	HIW12SOCSET	96	LPHTHTMABODY66	88, 90
B12E	2, 108	BHA34E12R	108	BSC2L2C1DEBP	111	HIW71612TGKIT	89, 96	LPHTHTMADUSTCAPF	96
B1E34R	2, 108	BK88001	98	BSC2L3A2B	111	HIW716ENF	88	LPHTHTMADUSTCAPM	96
B34E12R	2, 108	BK88004	97	BSC2L5A	111	HIW716ENFTG	88	LPHTHTMANOSE66	88, 90
BA10E10M	66	BK88007	100	BSC2L5B	111	HIW716ENFTGKIT	88	LPHTMOILPT118	96
BA10E14M	66	BK88008	99	BSCWS40	110-112	HIW716VTR1	89	LPHTMOILPT11814	96
BA10E38M	66	BK88020	101, 103	BSCWS80	110-112	HOSE2	92	LPHTNARCHISEL11814	96
BA10E6M	66	BKC3540	104-107	BWC00ADP	117	HOSE325	92	LPHTS0C121	96
BA10E8M	66	BKD1000B	97, 100-107	BWC00JS	118	HOSE350	92	LPHTS0C121/118	96
BA10EF10M	66	BKD1250B	97, 100-107	BWC01CDC	113	HP10	78	LPHTS0C121116	96
BA10EF6M	66	BKD1500B	98, 100-107	BWC01CMC	113	HP2HV	92	LPHTS0C12112	96
BA10EF8M	66	BKD2000B	98, 100-107	BWC01FAR	115	HP3	92	LPHTS0C12114	96
BA10EL10M	66	BKD2500	99, 103, 105, 107	BWC01FCMR	114	HP6	78	LPHTS0C12118	96
BA10EL6M	66	BKD3000	99, 103, 105, 107	BWC01FFMC	115	HP8	78	LPHTS0C121188PT	96
BA10EL8M	66	BKD3500	99, 105, 107	BWC01FSMC	115	HPP18	95	LPHTS0C1212	96
BA10EZ8M	66	BKD4000	99, 105, 107	BWC04EHC	113	HPP18-2	95	LPHTS0C12128PT	96
BA14E10M	66	BKD500B	97, 100-107	BWC06FHC	113	HPP5	95	LPHTS0C121316	96
BA14E14M	66	BKD750B	97, 100-107	BWC20PRSF	118	HPS-0/C-4-B11	94	LPHTS0C121316/1516	96
BA14E4M	66	BKLP2	103	BWC24HTC	117	HPS-0/C-4-B13	94	LPHTS0C1213168PT	96
BA14E516M	66	BKLP2K1	103	BWC24MTHTC	117	HPS-0/C-5-B11	94	LPHTS0C12138	96
BA14E6M	66	BKLP6	102	BWC25LHTC	117	HPS-0/C-5-B13	94	LPHTS0C1215168PT	96
BA14E8M	66	BKLP6K1	102	BWC27LHTCADP	117	HPT-59-R1	93	LPHTS0C121716	96
BA14EF10M	66	BKOF520	106	BWC28FAC	114	HPT-60-R1	93	LPHTS0C1217168PT	96
BA14EF8M	66	BKOF540	107	BWC32DCC	118	HPT-71-R1	93	LPHTS0C1218PT	96
BA14EL10M	66	BKOH2540	99	BWC40PC	119	HPT-72-R1	93	LPHTS0C1234	96
BA14EL6M	66	BKOH520A	104	BWC41ORC	116	HPT-83-R1	93	LPHTS0C12348PT	96
BA14EL8M	66	BKOH540A	105	BWC420MSC	116	HPT-84-R1	93	LPHTS0C1258	96
BA14EZ10M	66	BKOM152	98	BWC43TRC	119	HPT-96-R1	93	LPHTS0C12588PT	96
BA14EZ6M	66	BKOM50125	97	BWC43UC	119	HTP3	92	LPHTS0C1278	96
BA14EZ8M	66	BKOR14	101	BWC46CWD	114	HYFLUID™ GAL.	87	LPHTS0C12788PT	96
BA16E10M	66	BKOR152	101	BWC46RC	116	HYFLUID™ QT.	87	LPHTS0C12916	96
BA16E14M	66	BKOR50	101	CASEWDIES	4, 60	KUADP	11	LPHTWHP-BCS66606-18	93
BA16E38M	66	BKOR520	101	EBP	110, 111	L717W	30	LPHY750CXT	90
BA16E4M	66	BKOR75125	101	EP10	83	L719W	30	LPHY750XT	90
BA16E6M	66	BKOS520	103	EP10-1HP	84	L720W	30	M8ND	50
BA16E8M	66	BKOS5290	102	EP10-1HP-2	84	L722W	30	MCC1000	76
BA16EF10M	66	BKOW520	100	EP10-2	83	L724W	30	MCC1000BLADESET	76
BA16EF2M	66	BKP1000B	97, 100-107	EP6	83	L725W	30	MCC500	76
BA16EF6M	66	BKP1250B	97, 100-107	EP8	83	L727W	30	MCC500BLADESET	76
BA16EF8M	66	BKP1500B	98, 100-107	EPAC-6	82	L728W	30	MD6	55
BA16EL10M	66	BKP2000B	98, 100-107	EPAC-8	82	L729W	30	MD6-12	55
BA16EL6M	66	BKP2500	99, 103, 105, 107	EPAC10	82	L735W	30	MD6-14	55
BA16EL8M	66	BKP3000	99, 103, 105, 107	EPP10	81	LPC12S	96	MD6-37	55
BA16EZ10M	66	BKP3500	99, 105, 107	EPP6	81	LPC38S	96	MD6-38	55
BA16EZ2M	66	BKP4000	99, 105, 107	EPPCASE-1	81	LPHT3CHISEL11418	96	MD6-4	55
BA16EZ6M	66	BKP500B	97, 100-107	FORCEGAUGE12-15	6	LPHTADPMM71612	96	MD6-6	55
BAT14V	21	BKP750B	97, 100-107	FP-10	79	LPHTADPMMOP66	88, 96	MD6-6HS60	59
BAT18V	8, 10, 11, 13, 15, 19, 67, 69, 71	BKPR7520	102, 103	FP-6	79	LPHTADPSMFOP66	90	MD6-6HS72	59
BAT18VLI	7, 9, 12, 14, 16, 18, 20, 68, 70	BKPR7540	104-107	FP-8	79	LPHTASPHALTCUT118	96	MD6-6R	58
BCC1000CUAL	72	BKPS50	102-107	GP10	85	LPHTBIT111618D	96	MD6-6R-2	58
BCCBAT12V	72	BKS752B	97, 98, 100	H12E	108	LPHTBIT111624D	96	MD6-8	55
BCCCASE	72	BKSA50	102, 103	H1E34R	108	LPHTBIT131618D	96	MD6-8AH48	59
BCCCHGR	72	BKSB50B	97, 100	H34E12R	108	LPHTBIT131624D	96	MD6-8HS60	59
BCH1211	104-107	BKW52	100	HBR40	91	LPHTBIT151618D	96	MD6-8HS72	59
BCM5	104-107	BMV-BCH-MT	52	HBR66	91	LPHTBIT151624D	96	MD6-8R	58
BCT/PATDCCHGR	8, 10, 11, 13, 15, 19, 21, 67, 69, 71	BP10PADKIT	78, 79	HBR67HF	91	LPHTCLAYSPADE118	96	MD6-AH48	59
BEB122	2, 109	BPF20	106, 107	HCCACSR	67	LPHTDRIPBODY66	96	MD6-CP1	60
		BPH20	104, 105	HCCCUAL	67	LPHTDRIPBODY88	96	MD6-K	55
		BSC2H	110	HCCGUY	67	LPHTDRIPNOSE66	96	MD6HS60	59
		BSC2H1C2DEBP	110	HCCSOL	67	LPHTDRIPNOSE88	96	MD6HS72	59

CATALOG NO.	PAGE NO.	CATALOG NO.	PAGE NO.	CATALOG NO.	PAGE NO.	CATALOG NO.	PAGE NO.	CATALOG NO.	PAGE NO.
MD6R	58	PATHCC10CUAL-18V	67	PT29402-1	33	U38XRT	4	WDIETREE	18, 19, 60
MD7	56	PATHCC10GUY-18V	67	PT2972	24	U39ART-2	4, 5	WIREMIKE	22, 26, 33, 61
MD7-34	57	PATHCC10SOL-18V	67	PT29900-10	63	U39RT	4, 5	X161	54
MD7-34-KIT1	57	PATJAWSMD6	20, 21	PT2990010	62	U3CRT	4	X241	54
MD7-34R	57	PATJAWSMD6-6	20, 21	PT4583	53, 54	U44XRT	4	X245	54
MD7-34R-KIT1	57	PATJAWSMD6-8	20, 21	PT4925	58, 60	U4CABT	4, 5	X247	54
MD7-6	56	PATJAWSMD6K	20, 21	PT4931-1	60	U4CRT	4, 5	X249	54
MD7-8	56	PATMD6-14V	21	PT4946	4	U5CRT	4, 5	X660	54
MR15	47	PATMD6-6-14V	21	PT4952-1	60	U6CABT	4, 5	X840	54
MR18	47	PATMD6-6-LI	20	PT6515	32	U8CABT	4	X8CART	4
MR20	47	PATMD6-8-14V	21	PT6545	32	U8CRT	4	XBG	54
MR4C	48	PATMD6-8-LI	20	PT6733	24, 60	U997	5	XNBG	54
MR8	45	PATMD6-K-14V	21	PT6744	60	UC	5	XOH25	54
MRC840	51	PATMD6-K-LI	20	PT8504	53	UDIEKITAL	5, 62	Y10-22	42
MRC840AL	51	PATMD6-LI	20	PU998	5	UDIEKITCU	5, 62	Y10AC9	80
MRE10-22B	46	PATMD66JC	20, 21	PUADP-1	7, 8, 31	UDIEKITHYGRD	5	Y10AC9OEM	80
MRE10-22NV	46	PATMD6JC	20, 21	R17A	110-112	UO	5	Y10D	41
MTB	110, 111	PATMD6KJC	20, 21	R17C	110-112	W-28K	60	Y1MRKIT	49
MTX	111	PQ10R258M	66	R22B	110-112	W-687	60	Y1MRTC	49
MY28	52	PQ14R187M	66	R24F	110-112	W-702	60	Y1MRTCKIT	49
MY28-4	52	PQ14R188M	66	R25D	110-112	W-BG	60	Y29BH	40
MY28-6	52	PQ14R256M	66	RCC1000	77	W161	4	Y29NC	64
MY29 UNIVERSAL KIT	52	PQ14R257M	66	RCC336	77	W162	4	Y34BH	39
MY29-11	52	PQ14R258M	66	RCC556	77	W163	4	Y35	23
MY29-11C	52	PQ18R187M	66	RCC600	77	W166	4	Y35-2	23
MY29-3	52	PQ18R188M	66	RCC750HD	77	W1CRT	4	Y35/Y39 REP KIT A	24
MY29-3C	52	PQ18R256M	66	RCC954ACSR1K	77	W1CVT	4	Y35B	34
MY29-3CF	52	PQ18R257M	66	RHCC129ACSR	74	W239	4	Y35BH	34
OH25	53	PQ18R258M	66	RHCC245CUAL	75	W241	4	Y35BH-4	34
OUR840	54	PT 10128	87	RHCHSA	74	W245	4	Y35H	34
OUR840-WC	54	PT 11018	87	RK147-2	61	W25CRT	4	Y35P3	24
P15K	7, 8, 31	PT 29074-1	86, 87	RK194-2	61	W25VT	4	Y39	25
PAT46-18V	8	PT 29075	87	RP50RP02	72	W26CRT	4	Y39BH	35
PAT46-LI	7	PT 29091	87	RP50RP03	72	W26VT	4	Y45	32
PAT46C-18V	8	PT 29214-1	87	TAD10-14M	66	W27CRT	4	Y46	31
PAT4PC834-18V	17	PT 29291	87	TFM1D5R	65	W27VT	4	Y46-2	31
PAT4PC834-LI	16	PT 29402-1	87	TS-KD	93	W28CRT	4	Y46C	31
PAT600-18V	19	PT 29900-10	86	TS-RD	93	W28K	20, 21	Y46OEM11T	63
PAT600-LI	18	PT 29900-15	86	TS-SQ	93	W28VT	4	Y46OEM11TKIT	63
PAT644-LI	12	PT 29900-25	86	U1011	5	W29CRT	4	Y46OEM12T	62
PAT644XT-18V	13	PT 29901-10	86	U1104	5	W29VT	4	Y46OEM12TKIT	62
PAT750-LI	9	PT 29901-15	86	U1105	5	W2CRT	4	Y46OEM12TKIT1	62
PAT750CK-18V	11	PT 29901-25	86	U1CART	4, 5	W2CVT	4	Y46OEM12TKIT1FC	62
PAT750K-18V	11	PT 29902-10	86	U1CRT-1	4, 5	W30CRT	4	Y46OEM12TKITFC	62
PAT750XT-18V	10	PT 29902-15	86	U25ART	4, 5	W30VT	4	Y46OEMGUARD	62, 63
PAT81KFT-18V	15	PT 29902-25	86	U25RT	4, 5	W31ART	4	Y46OEMLOCATOR	62, 63
PAT81KFT-LI	14	PT 6545	87	U26ART	4, 5	W31CRT	4	Y4PC834	28
PATCHGR-LI	9, 12, 14, 16, 18, 68, 70	PT 76	86	U26RT	4, 5	W31VT	4	Y4PC834MBH	38
PATCHGR-LI18V	7	PT 91	86	U27ART	4, 5	W32CRT	4	Y500CT-HS	29
PATCHGR-LI250V	7, 9, 12, 14, 16, 18, 20, 68, 70	PT 93	87	U27RT	4, 5	W32VT	4	Y60BHU	30
PATCHGR-LIDC	7, 9, 12, 14, 16, 18, 20, 68, 70	PT 94	87	U28ART	4, 5	W33CRT	4	Y60BHUD	30
PATCHGR18V	8, 10, 11, 13, 15, 19, 21, 67, 69, 71	PT10024162	73	U28RT	4, 5	W33VT	4	Y644HSCASE	26
PATCHGR250V	8, 10, 11, 13, 19, 21, 67, 69, 71	PT10037384	68, 69, 73, 74	U29ART	4, 5	W34CRT	4	Y644HSXT	26
PATCHGRLI	20	PT10037388	68, 69, 73, 74	U29RT	4, 5	W34VT	4	Y644MBH	36
PATCUT129-LI	68	PT10038657	70, 71, 75	U2CABT	4, 5	W36CRT	4	Y750BHXT	33
PATCUT129ACSR-18V	69	PT10040663	70, 71, 75	U2CRT	4, 5	W36RT	4	Y750CBHXT	33
PATCUT245-LI	70	PT10043890	74	U30ART	4, 5	W3CRT	4	Y750CHSXT	22
PATCUT245CUAL-18V	71	PT10044980	71	U30RT	4, 5	W4CRT	4	Y750HSCASE	22
PATHCC10	67	PT10054094	75	U31ART	4, 5	W4CVT	4	Y750HSXT	22
PATHCC10-18V	67	PT10128	31	U31RT	4, 5	W5CRT	4	Y7AC9	63
PATHCC10ACSR-18V	67	PT17188	58	U32ART	4, 5	W5CVT	4	Y81KFT	27
		PT208620	9, -16, 18, 19, 68-71	U32RT	4, 5	W660	4	Y81KFTMBH	37
		PT29279-2	22, 24, 33	U34ART	4, 5	W8CRT	4	Y8AC9	62
		PT29291	4, 5, 22, 24, 33	U34RT	4, 5	W8CVT	4	Y8MRB-1	44
		PT29360	24	U36ART	4, 5	WDA8300	29	YAC-CASE	80
				U36RT	4, 5	WDC4500	29	YACFC	62

Alpha-Numeric Index

CATALOG NO.	PAGE NO.	CATALOG NO.	PAGE NO.	CATALOG NO.	PAGE NO.	CATALOG NO.	PAGE NO.	CATALOG NO.	PAGE NO.
YAD10-38M	66	YAE10N2M	66	YAE14N4M	66	YAE18N2M	66	YC10L12	49
YAD10-516M	66	YAE10N3M	66	YAE14N76FM	66	YAE18N3M	66	YC4L12	49
YAD10-8M	66	YAE10N4M	66	YAE14N77FM	66	YAE18N56FM	66	YC6L12	49
YAD14-10M	66	YAE10N5M	66	YAE14N78FM	66	YAE18N57FM	66	YC8L12	49
YAD14-14M	66	YAE10NM	66	YAE14NM	66	YAE18NM	66	YCUT129ACSR	73
YAD14-38M	66	YAE12N1M	66	YAE14Z3M	66	YAE18Z1M	66	YF-TOOL	43
YAD14-4M	66	YAE12N2M	66	YAE14Z4M	66	YAE18Z3M	66	YF/03/0TOOL	43
YAD14-6M	66	YAE12N3M	66	YAE18-N7M	66	YAE18Z4M	66	YF0401TOOL	43
YAD14-8M	66	YAE12N9M	66	YAE18G43FM	66	YAE22G13M	66	YF0801TOOL	43
YAD18-10M	66	YAE12NM	66	YAE18G43M	66	YAE22G16M	66	YF1006TOOL	43
YAD18-14M	66	YAE12Z2M	66	YAE18N1M	66	YAE22G18M	66	YF2210TOOL	43
YAD18-4M	66	YAE12Z3M	66	YAE18N21M	66	YAE22N65FM	66	YF2214TOOL	43
YAD18-6M	66	YAE14N1M	66	YAE18N25M	66	YAE22N66FM	66	YF2610TOOL	43
YAD18-8M	66	YAE14N2M	66	YAE18N26M	66	YAE22Z1M	66	YF3206TOOL	43
YAE-18N24M	66	YAE14N3M	66	YAE18N27M	66	YAE22Z2M	66	YF4/0250TOOL	43
YAE10N11M	66	YAE14N43M	66	YAE18N29M	66	YAE22Z3M	66		

INSTALLATION TOOLING SYSTEM															
Conductor		LUGS & SPLICES One & Two HOLE				T&B Index Code (Flex)	TAPS Thin-Wall C-taps Run=Tap, AWG only			TAPS Heavy Duty C-Taps Run=Tap			TAPS H-Taps Run=Tap		
		AWG	FLEX	Die	Color		Index	Die	Color	Index	Die	Color	Index	Die	Color
#8/#6 sol	#8	W8CVT U8CRT	RED	49	21	W4CVT	GRAY	8	U240	RED	240	U11T-1	GREEN	11	
#6	#6	W5CVT U5CRT	BLUE	7	24	W2CVT	BROWN	10	UC	BROWN	C	UBGRT	ORANGE	BG	
#4	#4	W4CVT U4CRT	GRAY	8	29	W25VT	PINK	12	UC	BROWN	C	UC	BROWN	C	
#3/#2 sol		W3CRT U3CRT	WHITE	9		W26VT	BLACK	13	UC	BROWN	C	UC	BROWN	C	
#2	#2	W2CVT U2CRT	BROWN	10	33	W27VT	ORANGE	14	UC	BROWN	C	UC	BROWN	C	
#1	#1	W1CVT U1CRT-1	GREEN	11		W28VT	PURPLE	15	U997	ORANGE	997	U654	PURPLE	654	
1/0	1/0	W25VT U25RT	PINK	12	42 (45)	W29VT	YELLOW	16	U997	ORANGE	997	U654	PURPLE	654	
2/0	2/0	W26VT U26RT	BLACK	13	45 (50)		REFER TO CATALOG		U997	ORANGE	997	U654	PURPLE	654	
3/0	3/0	W27VT U27RT	ORANGE	14					U997	ORANGE	997	U654	PURPLE	654	
4/0	4/0	W28VT U28RT	PURPLE	15	54 (62)	-	-	-	U997	ORANGE	997	U654	PURPLE	654	
250	4/0/ 250 class G & H	W29VT U29RT	YELLOW	16		-	-	-	U997	ORANGE	997	U654	PURPLE	654	
300	262/ 250 class J, K & M	W30VT U30RT	WHITE	17		-	-	-	U1104	BROWN	1104	U1104	BROWN	1104	
350	313	W31VT U31RT	RED	18	71	-	-	-	U1104	BROWN	1104	U1104	BROWN	1104	
	350/ 373	W32VT U32RT	BLUE	19		-	-	-	U1104	BROWN	1104	U1104	BROWN	1104	
500	444	W34VT U34RT	BROWN	20	87	-	-	-	U1104	BROWN	1104	U1104	BROWN	1104	
	500/ 535	U38XRT	PINK	L99		-	-	-	P1103	BLUE	1103	PYFR	YELLOW	KR	
600		U36RT	GREEN	22	(99)	-	-	-	P1103	BLUE	1103	PYFR	YELLOW	KR	
700		U38RT	PINK	400		-	-	-	P1103	BLUE	1103	PYFR	YELLOW	KR	
750	646	U39RT	BLACK	24	106	-	-	-	P1103	BLUE	1103	PYFR	YELLOW	KR	
	750/ 777	U44XRT P44XRT-1	YELLOW	L115											
800		P40RT	ORANGE	25	(115)	-	-	-	P1102	WHITE	1102	PYFR	YELLOW	KR	
1000		P44RT	WHITE	27		-	-	-	P1102	WHITE	1102	PYFR	YELLOW	KR	



## Trust the BURNDY® Engineered System—Made in the USA

The BURNDY® Engineered System of coordinating dies, connectors and tools are always designed to work together and engineered to meet stringent, accepted quality standards.



[www.burndy.com](http://www.burndy.com) | 1-800-346-4175



### Customer Service Department

7 Aviation Park Drive  
Londonderry, NH 03053  
1-800-346-4175  
1-603-647-5299 (International)

### Canada

1-800-361-6975 (Quebec)  
1-800-387-6487 (All other provinces)

### Mexico

011-52-722-265-4400

### Brazil

011-55-11-5515-7200

### Tool Repair Center

Littleton Industrial Park  
Littleton, NH 03561  
1-800-426-8720

 **BURNDY®**

*Experience. Technology. Answers.™*

