



BURNDY Catalog Number
UPC Number

UC2834
 7818100129011
 PARALLEL GROOVE CLAMP,4.25
 IN L
 Active

Description
Status

Web Use
 BURNDY Product Line

Size (Hex) or Size (Bolt)

Dimensional

1/2

General

CU Parallel Groove Clamp
 accommodates large number of
 CU Conductors, Conductor: 4/0
 Str. - 500 (Either Groove)

Product Description

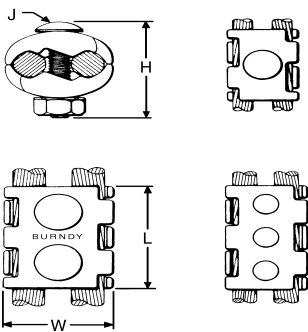
Conductor(s)

ACSR Size (Range) N/A
 AAAC 6201 Size (Range) N/A
 Copper Solid Size (Range) 4/0 AWG
 Galvanized Steel Size (Range) N/A
 Copper Str Size(Side B) - Range N/A
 Aluminum Size (Side A) - Range N/A
 Copperweld Solid Size (Range) N/A
 Copper Str Size (Side A) - Range N/A
 Aluminum Size (Side B) - Range N/A
 AAAC 5005-Size (Range) N/A

Approvals / Certifications

ROHS Compatible Exempt
 CULUS N

Documentation



For further technical assistance, please contact us

BURNDY LLC - USA

47 East Industrial Park Drive
 Manchester NH 03109

BURNDY Technical Services

47 East Industrial Park Drive
 Manchester NH 03109

Hours: 8:00 AM - 5:00 PM
 Monday - Friday
 Phone: 800-346-4175