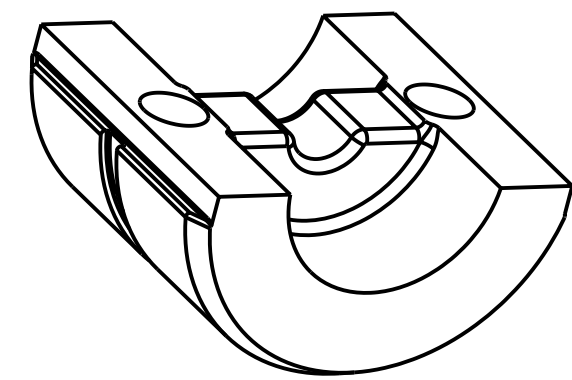
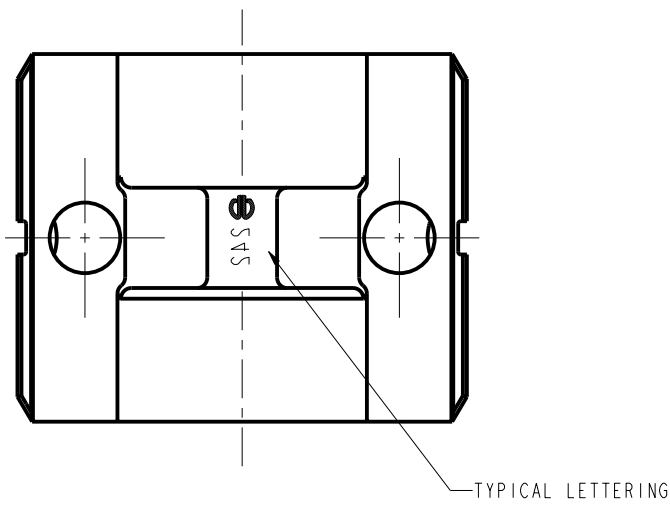
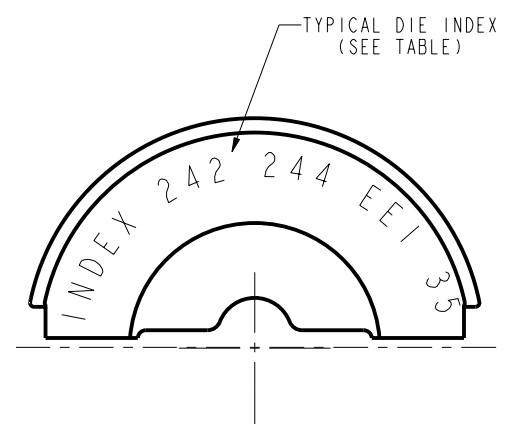
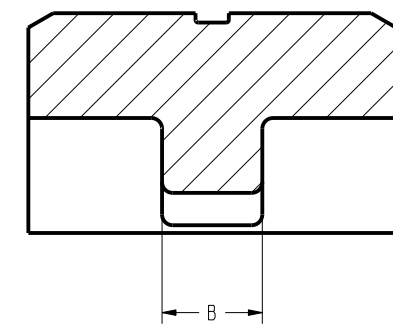
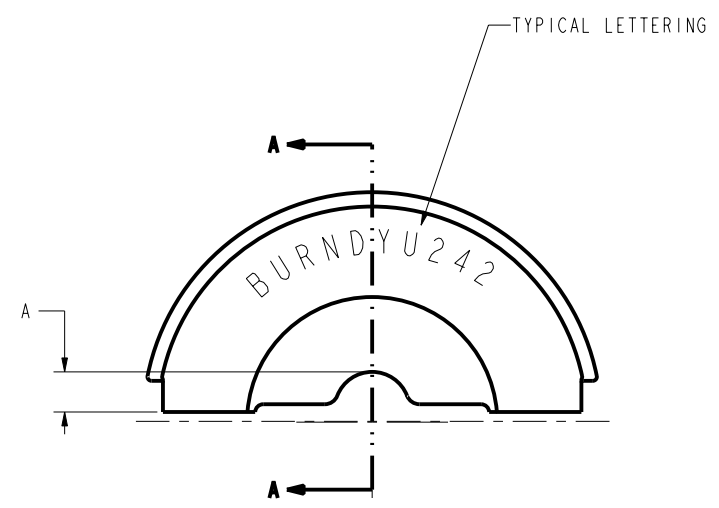


| CATALOG NO. | A | B | DIE INDEX |
|-------------|------------|-------------|-----------|
| U204 | .21 [5] | .23 [6] | 204 |
| U242 | .15 [4] | .38 [10] | 242 |
| U252 | .23 [6] | .23 [6] | 252 |
| U255 | .29 [7] | .23 [6] | 255 |
| U257 | .28 [7] | .19 [5] | 257 |
| U276 | .20 [5] | .19 [5] | 276 |
| U304 | .30 [8] | .23 [6] | 304 |
| U350 | .27 [7] | .23 [6] | 350 |
| U552 | .37 [9] | .31 [8] | 552 |
| U609 | .24 [6] | .23 [6] | 609 |

| REV | DATE | DESCRIPTION | ECO | BY | C'H'K. |
|-----|------------------------|----------------------|-------|----|--------|
| A | 12/20/2012 00:00:00 AM | CREATE SALES DRAWING | 29952 | MS | MB |



NOTES:

- DIMENSIONS IN BRACKETS [] ARE IN MILLIMETERS ROUNDED OFF TO THE NEAREST MILLIMETER, UNLESS OTHERWISE NOTED, AND ARE FOR REFERENCE ONLY.
- MATERIAL: STAINLESS STEEL

| | | | |
|---|--|---------------------------------|----------------------|
| TO ORDER BURNDY® PRODUCTS CALL | | CIRCULAR BUTTING PIN DIE | |
| UNITED STATES 1-800-346-4175 (LONDONDERRY, NH) | | ITEM NO: N/A | SCALE: 3:1 |
| CANADA: 1-800-361-6975 (QUEBEC) 1-800-387-6487 (ALL OTHER PROVINCES) | | CAT. NO: SEE TABLE | BURNDY |
| FOR PRODUCT INFO: http://www.burndy.com | | DRAWN BY: SAKTHI M 12/20/2012 | |
| | | CHECKER: P WASON 02/24/2014 | DRAWING NO: 50016799 |
| | | DSN APPVL: P WASON 02/24/2014 | REV: A |
| | | MFG APPVL: -- -- | SHEET 1 OF 1 |
| | | QA APPVL: C ACKERMAN 02/27/2014 | |
| | | MKT APPVL: M RZASA 02/24/2014 | |
| | | PROJ #: -- | |
| | | SIZE: D | |
| | | DOCUMENT TYPE: Sales | |
| | | REL LEVEL: Released | |

REV: PE0200