

# BURNDY

## Grounding

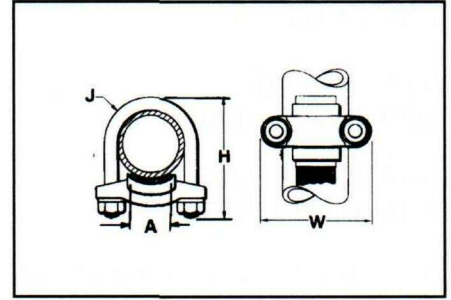
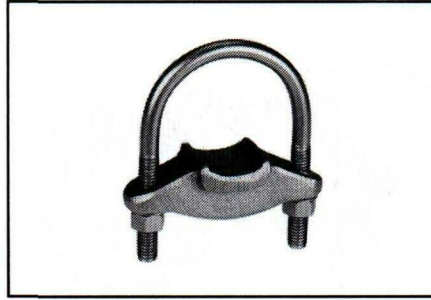


### TYPE GG

#### GROUND CONNECTOR

FOR COPPER BAR, STRAP, BRAID OR CABLE TO ROD OR TUBE

High copper alloy ground connector for joining bar, strap, braid or cable to rod or tube. High copper alloy cast body, DURIUM U-bolts, nuts and lockwashers make the GG particularly effective for use with braid for ground rods, switch handles, fence posts and gates. One-wrench installation.



D-38

Catalog Number	Conductor		A	H	J	W
	Tube I.P.S.	Rod				
GG15-1	1	1-1/8-1-1/4	1	3-3/8	3/8	2-5/8
GG16-1	1-1/4	1-3/8-1-1/2		3		
GG17-1	1-1/2	1-5/8-1-7/8		3-1/2		3-1/4
GG17-15			1-1/2			
GG18-1	2	2 - 2-3/8	1	4-1/4	3/8	3-3/4
GG18-15			1-1/2			
GG18-2			2	4-3/8		4-1/8
GG19-2	2-1/2	2-1/2-2-7/8	2	5		1/2
GG19-25			2-1/2			
GG20-2			3	3-3-1/2	2	
GG20-25	2-1/2					
GG20-3	3					
GG21-2	3-1/2	3-1/2-4	2	5-7/8	1/2	5-3/4
GG21-25			2-1/2			
GG21-3			3			
GG21-35			3-1/2			
GG22-2	4	4 - 4-1/2	2	6-1/2	1/2	6-1/4
GG22-25			2-1/2			
GG22-3			3			
GG22-35			3-1/2			
GG22-4			4			
GG24-2	5	—	2	7-5/8		7-1/4

M # See note page D-1