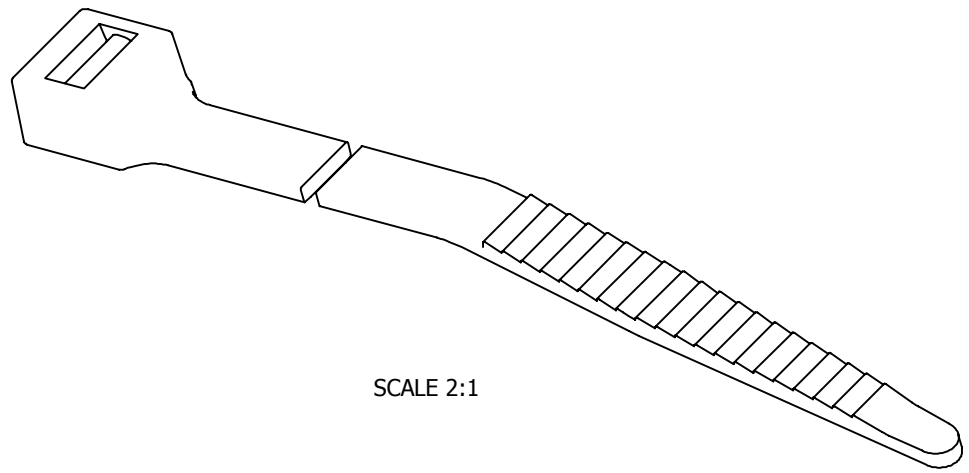
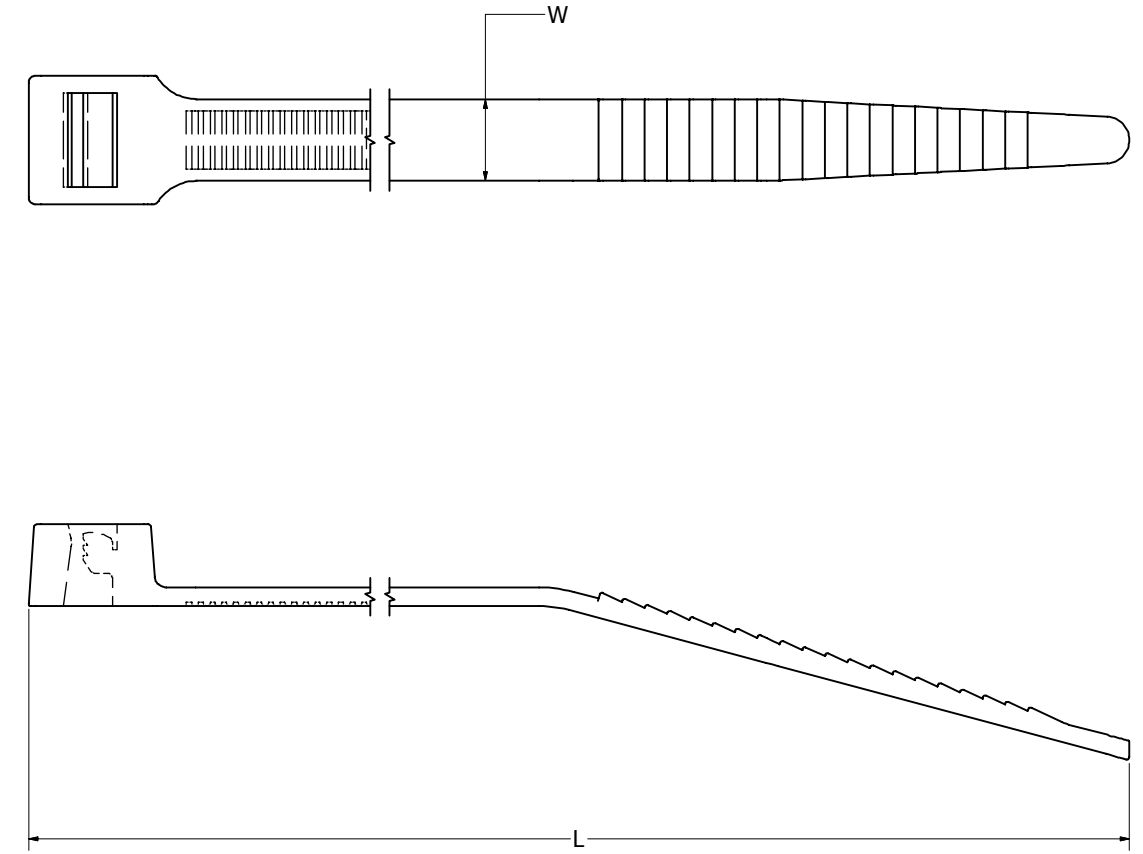


CATALOG NUMBER	MATERIAL	MIN. TENSILE STRENGTH (LBS)	BUNDLE DIA.	FEATURE	PACKAGE	COLOR	W	L
CT120200D	NYLON 6/6	120 LBS	2.00 [51]	--	500	NATURAL	.30 [8]	8.87 [226]
CT120200D0	NYLON 6/6	120 LBS	2.00 [51]	--	500	UV BLACK <sup>1</sup>		
CT120200L	NYLON 6/6	120 LBS	2.00 [51]	--	50	NATURAL		
CT120200L0	NYLON 6/6	120 LBS	2.00 [51]	--	50	UV BLACK <sup>1</sup>		
CT120200L1	NYLON 6/6	120 LBS	2.00 [51]	--	50	BROWN		
CT120200L10	NYLON 6/6	120 LBS	2.00 [51]	--	50	WHITE		
CT120200L11	NYLON 6/6	120 LBS	2.00 [51]	--	50	TELCO GRAY		
CT120200L2	NYLON 6/6	120 LBS	2.00 [51]	--	50	RED		
CT120200L3	NYLON 6/6	120 LBS	2.00 [51]	--	50	ORANGE		
CT120200L4	NYLON 6/6	120 LBS	2.00 [51]	--	50	YELLOW		
CT120200L5	NYLON 6/6	120LBS	2.00 [51]	--	50	GREEN		
CT120200L6	NYLON 6/6	120 LBS	2.00 [51]	--	50	BLUE		
CT120200L7	NYLON 6/6	120 LBS	2.00 [51]	--	50	PURPLE		
CT120200L8	NYLON 6/6	120 LBS	2.00 [51]	--	50	GRAY		

REV	DATE	DESCRIPTION	ECO	BY	C'H'K.
A	06/30/2012	CREATE SALES DRAWING	27679	BD	MB



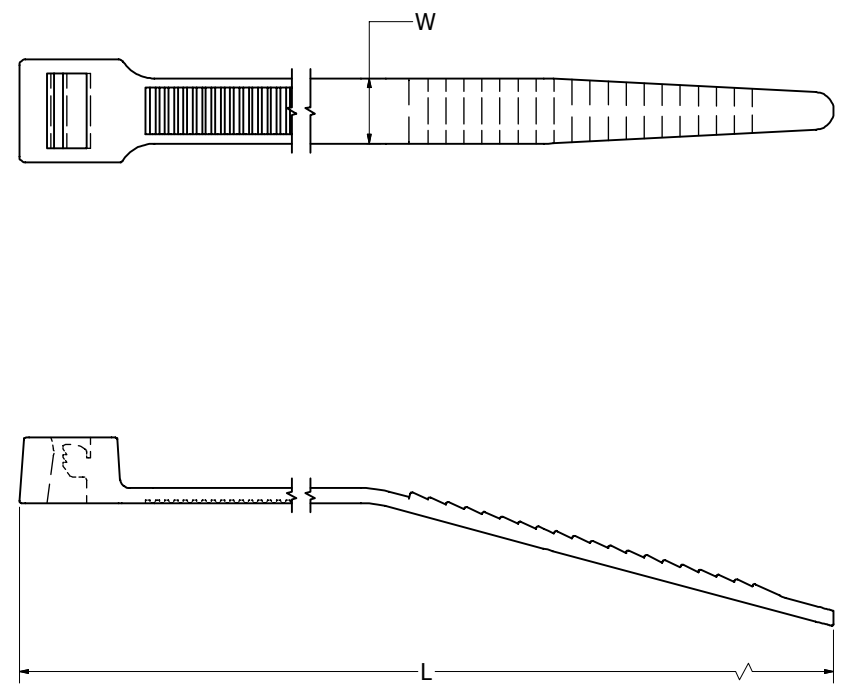
SCALE 2:1

- NOTES:
- DIMENSIONS IN BRACKETS [ ] ARE IN MILLIMETERS ROUNDED OFF TO THE NEAREST MILLIMETER, UNLESS OTHERWISE SPECIFIED AND ARE FOR REFERENCE ONLY.
  - COLOR UV BLACK<sup>1</sup> MATERIAL IS NYLON 6/6 UV STABILIZED; UV BLACK<sup>2</sup> MATERIAL IS 2% CARBON UV STABILIZED (MIL. SPEC.)

TO ORDER BURNDY® PRODUCTS CALL		UNIRAP™	
UNITED STATES 1-800-346-4175 (LONDONDERRY, NH)		ITEM NO: N/A	
CANADA: 1-800-361-6975 (QUEBEC) 1-800-387-6487 (ALL OTHER PROVINCES)		CAT. NO: SEE TABLE	
FOR PRODUCT INFO: <a href="http://www.burndy.com">http://www.burndy.com</a>		DRAWN BY: B.DURAICHAMY 6/22/2012 CHECKER: A.MONTMINY 10/17/2012 DSN APRVL: A.MONTMINY 10/17/2012 MFG APRVL: -- QA APRVL: V.KOWALCZYK 10/11/2012 MKT APRVL: R.CAVANAUGH 10/10/2012	
PROJECT #: --	SIZE: D	DRAWING NO: 50004623	
DOCUMENT TYPE: SALES	REL LEVEL: WorkInProgress	SHEET 1 OF 4	

CATALOG NUMBER	MATERIAL	MIN. TENSILE STRENGTH (LBS)	BUNDLE DIA.	FEATURE	PACKAGE	COLOR	W	L
CT120300D	NYLON 6/6	120 LBS	3.00 [76]	--	500	NATURAL	.30 [8]	11.87 [302]
CT120300D0	NYLON 6/6	120 LBS	3.00 [76]	--	500	UV BLACK <sup>1</sup>		
CT120300L	NYLON 6/6	120 LBS	3.00 [76]	--	50	NATURAL		
CT120300L0	NYLON 6/6	120 LBS	3.00 [76]	--	50	UV BLACK <sup>1</sup>		
CT120300L1	NYLON 6/6	120 LBS	3.00 [76]	--	50	BROWN		
CT120300L10	NYLON 6/6	120 LBS	3.00 [76]	--	50	WHITE		
CT120300L11	NYLON 6/6	120 LBS	3.00 [76]	--	50	TELCO GRAY		
CT120300L2	NYLON 6/6	120 LBS	3.00 [76]	--	50	RED		
CT120300L3	NYLON 6/6	120 LBS	3.00 [76]	--	50	ORANGE		
CT120300L4	NYLON 6/6	120 LBS	3.00 [76]	--	50	YELLOW		
CT120300L5	NYLON 6/6	120 LBS	3.00 [76]	--	50	GREEN		
CT120300L6	NYLON 6/6	120 LBS	3.00 [76]	--	50	BLUE		
CT120300L7	NYLON 6/6	120 LBS	3.00 [76]	--	50	PURPLE		
CT120300L8	NYLON 6/6	120 LBS	3.00 [76]	--	50	GRAY		

REV	DATE	DESCRIPTION	ECO	BY	C'H'K.
A	06/30/2012	CREATE SALES DRAWING	27679	BD	MB



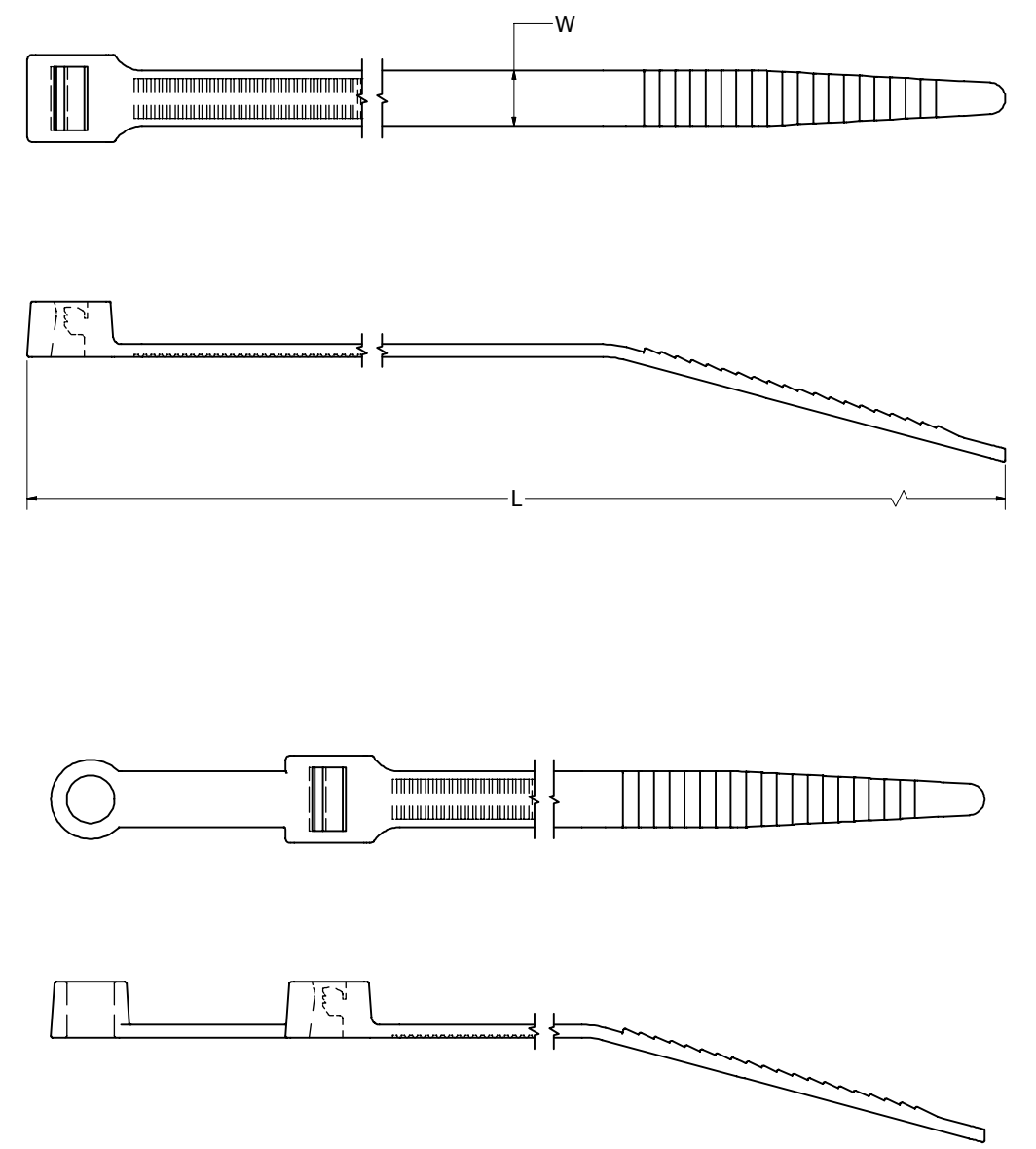
**NOTES:**

- DIMENSIONS IN BRACKETS [ ] ARE IN MILLIMETERS ROUNDED OFF TO THE NEAREST MILLIMETER, UNLESS OTHERWISE SPECIFIED AND ARE FOR REFERENCE ONLY.
- COLOR UV BLACK<sup>1</sup> MATERIAL IS NYLON 6/6 UV STABILIZED; UV BLACK<sup>2</sup> MATERIAL IS 2% CARBON UV STABILIZED (MIL. SPEC.)

TO ORDER BURNDY® PRODUCTS CALL		UNIRAP™	
UNITED STATES 1-800-346-4175 (LONDONDERRY, NH)		ITEM NO: N/A	
CANADA: 1-800-361-6975 (QUEBEC) 1-800-387-6487 (ALL OTHER PROVINCES)		CAT. NO: SEE TABLE	
FOR PRODUCT INFO: <a href="http://www.burndy.com">http://www.burndy.com</a>		DRAWN BY: B.DURAICHAMY 6/22/2012 CHECKER: A.MONTMINY 10/17/2012 DSN APRVL: A.MONTMINY 10/17/2012 MFG APRVL: -- QA APRVL: V.KOWALCZYK 10/11/2012 MKT APRVL: R.CAVANAUGH 10/10/2012	
PROJECT #: --	SIZE: D	DRAWING NO: 50004623	
DOCUMENT TYPE: SALES	REL LEVEL: WorkInProgress	SHEET 2 OF 4	

CATALOG NUMBER	MATERIAL	MIN. TENSILE STRENGTH (LBS)	BUNDLE DIA.	FEATURE	PACKAGE	COLOR	W	L	
CT120400D	NYLON 6/6	120 LBS	4.00 [102]	--	500	NATURAL	.30 [8]	15.25 [387]	
CT120400D0	NYLON 6/6	120 LBS	4.00 [102]	--	500	UV BLACK <sup>1</sup>			
CT120400D00	NYLON 6/6	120 LBS	4.00 [102]	--	500	UV BLACK <sup>2</sup>			
CT120400L	NYLON 6/6	120 LBS	4.00 [102]	--	50	NATURAL			
CT120400L0	NYLON 6/6	120 LBS	4.00 [102]	--	50	UV BLACK <sup>1</sup>			
CT120400L00	NYLON 6/6	120 LBS	4.00 [102]	--	50	UV BLACK <sup>2</sup>			
CT120400L1	NYLON 6/6	120 LBS	4.00 [102]	--	50	BROWN			
CT120400L10	NYLON 6/6	120 LBS	4.00 [102]	--	50	WHITE			
CT120400L11	NYLON 6/6	120 LBS	4.00 [102]	--	50	TELCO GRAY			
CT120400L2	NYLON 6/6	120 LBS	4.00 [102]	--	50	RED			
CT120400L3	NYLON 6/6	120 LBS	4.00 [102]	--	50	ORANGE			
CT120400L4	NYLON 6/6	120 LBS	4.00 [102]	--	50	YELLOW			
CT120400L5	NYLON 6/6	120 LBS	4.00 [102]	--	50	GREEN			
CT120400L6	NYLON 6/6	120 LBS	4.00 [102]	--	50	BLUE			
CT120400L7	NYLON 6/6	120 LBS	4.00 [102]	--	50	PURPLE			
CT120400L8	NYLON 6/6	120 LBS	4.00 [102]	--	50	GRAY			
CT120400MH14D	NYLON 6/6	120 LBS	4.00 [102]	1 MOUNTING HOLE #14	500	NATURAL			16.25 [413]
CT120400MH14D0	NYLON 6/6	120 LBS	4.00 [102]	1 MOUNTING HOLE #14	500	UV BLACK <sup>1</sup>			
CT120400MH14L	NYLON 6/6	120 LBS	4.00 [102]	1 MOUNTING HOLE #14	50	NATURAL			
CT120400MH14L0	NYLON 6/6	120 LBS	4.00 [102]	1 MOUNTING HOLE #14	50	UV BLACK <sup>1</sup>			

REV	DATE	DESCRIPTION	ECO	BY	CHK.
A	06/30/2012	CREATE SALES DRAWING	27679	BD	MB



1 FEATURE: MOUNTING HOLE

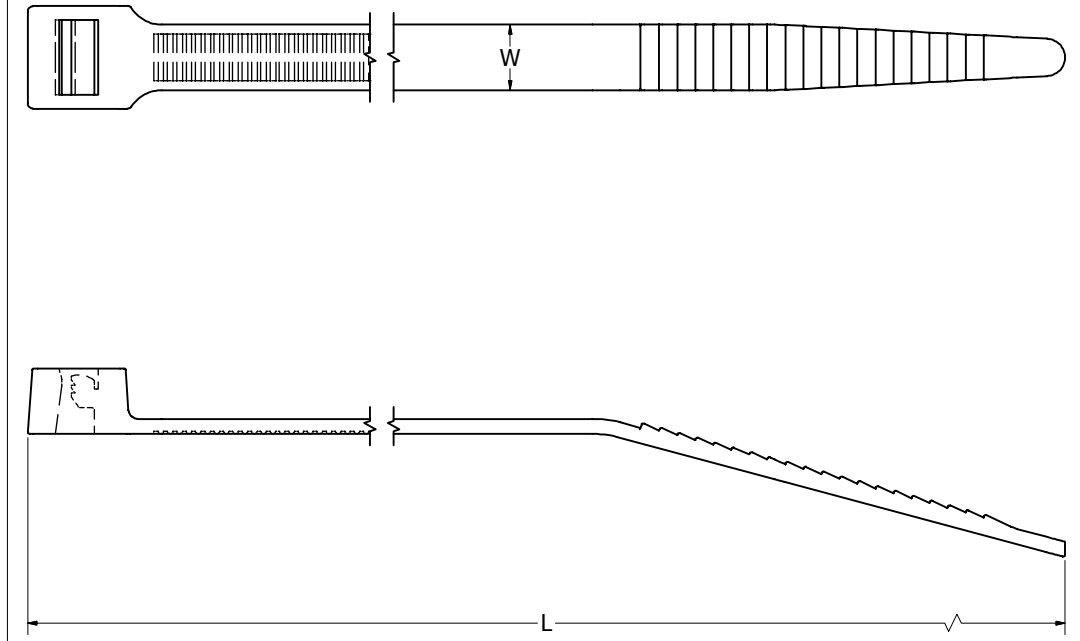
NOTES:

- DIMENSIONS IN BRACKETS [ ] ARE IN MILLIMETERS ROUNDED OFF TO THE NEAREST MILLIMETER, UNLESS OTHERWISE SPECIFIED AND ARE FOR REFERENCE ONLY.
- COLOR UV BLACK<sup>1</sup> MATERIAL IS NYLON 6/6 UV STABILIZED; UV BLACK<sup>2</sup> MATERIAL IS 2% CARBON UV STABILIZED (MIL. SPEC.)

TO ORDER BURNDY® PRODUCTS CALL		UNIRAP™															
UNITED STATES 1-800-346-4175 (LONDONDERRY, NH)		ITEM NO: N/A															
CANADA: 1-800-361-6975 (QUEBEC) 1-800-387-6487 (ALL OTHER PROVINCES)		CAT. NO: SEE TABLE															
FOR PRODUCT INFO: <a href="http://www.burndy.com">http://www.burndy.com</a>		<table border="1"> <tr> <td>DRAWN BY: B.DURAICHAMY</td> <td>6/22/2012</td> <td rowspan="5"></td> </tr> <tr> <td>CHECKER: A.MONTMINY</td> <td>10/17/2012</td> </tr> <tr> <td>DSN APRVL: A.MONTMINY</td> <td>10/17/2012</td> </tr> <tr> <td>MFG APRVL: --</td> <td></td> </tr> <tr> <td>QA APRVL: V.KOWALCZYK</td> <td>10/11/2012</td> </tr> <tr> <td>MKT APRVL: R.CAVANAUGH</td> <td>10/10/2012</td> <td></td> </tr> </table>		DRAWN BY: B.DURAICHAMY	6/22/2012		CHECKER: A.MONTMINY	10/17/2012	DSN APRVL: A.MONTMINY	10/17/2012	MFG APRVL: --		QA APRVL: V.KOWALCZYK	10/11/2012	MKT APRVL: R.CAVANAUGH	10/10/2012	
DRAWN BY: B.DURAICHAMY	6/22/2012																
CHECKER: A.MONTMINY	10/17/2012																
DSN APRVL: A.MONTMINY	10/17/2012																
MFG APRVL: --																	
QA APRVL: V.KOWALCZYK	10/11/2012																
MKT APRVL: R.CAVANAUGH	10/10/2012																
PROJ #:		SIZE	DRAWING NO														
DOCUMENT TYPE: SALES		D	50004623														
REL LEVEL: WorkInProgress			SHEET 3 OF 4														
			REV														
			A														

CATALOG NUMBER	MATERIAL	MIN. TENSILE STRENGTH (LBS)	BUNDLE DIA.	FEATURE	PACKAGE	COLOR	W	L
CT120900L	NYLON 6/6	120 LBS	9.00 [229]	--	50	NATURAL	.30 [8]	29.75 [776]
CT120900L0	NYLON 6/6	120 LBS	9.00 [229]	--	50	UV BLACK <sup>1</sup>		
CT120900L00	NYLON 6/6	120 LBS	9.00 [229]	--	50	UV BLACK <sup>2</sup>		
CT120900L1	NYLON 6/6	120 LBS	9.00 [229]	--	50	BROWN		
CT120900L10	NYLON 6/6	120 LBS	9.00 [229]	--	50	WHITE		
CT120900L11	NYLON 6/6	120 LBS	9.00 [229]	--	50	TELCO GRAY		
CT120900L2	NYLON 6/6	120 LBS	9.00 [229]	--	50	RED		
CT120900L3	NYLON 6/6	120 LBS	9.00 [229]	--	50	ORANGE		
CT120900L4	NYLON 6/6	120 LBS	9.00 [229]	--	50	YELLOW		
CT120900L5	NYLON 6/6	120 LBS	9.00 [229]	--	50	GREEN		
CT120900L6	NYLON 6/6	120 LBS	9.00 [229]	--	50	BLUE		
CT120900L7	NYLON 6/6	120 LBS	9.00 [229]	--	50	PURPLE		
CT120900L8	NYLON 6/6	120 LBS	9.00 [229]	--	50	GRAY		

REV	DATE	DESCRIPTION	ECO	BY	C'HK.
A	06/30/2012	CREATE SALES DRAWING	27679	BD	MB



**NOTES:**

1. DIMENSIONS IN BRACKETS [ ] ARE IN MILLIMETERS ROUNDED OFF TO THE NEAREST MILLIMETER, UNLESS OTHERWISE SPECIFIED AND ARE FOR REFERENCE ONLY.
2. COLOR UV BLACK<sup>1</sup> MATERIAL IS NYLON 6/6 UV STABILIZED; UV BLACK<sup>2</sup> MATERIAL IS 2% CARBON UV STABILIZED (MIL. SPEC.)

TO ORDER BURNDY® PRODUCTS CALL		UNIRAP™	
UNITED STATES 1-800-346-4175 (LONDONDERRY, NH)		ITEM NO: N/A	
CANADA: 1-800-361-6975 (QUEBEC) 1-800-387-6487 (ALL OTHER PROVINCES)		CAT. NO: SEE TABLE	
FOR PRODUCT INFO: <a href="http://www.burndy.com">http://www.burndy.com</a>		DRAWN BY: B.DURAICHAMY 6/22/2012 CHECKER: A.MONTMINY 10/17/2012 DSN APRVL: A.MONTMINY 10/17/2012 MFG APRVL: -- QA APRVL: V.KOWALCZYK 10/11/2012 MKT APRVL: R.CAVANAUGH 10/10/2012	
PROJECT #: --	SIZE: D	DRAWING NO: 50004623	
DOCUMENT TYPE: SALES	REL LEVEL: WorkInProgress	SHEET 4 OF 4	