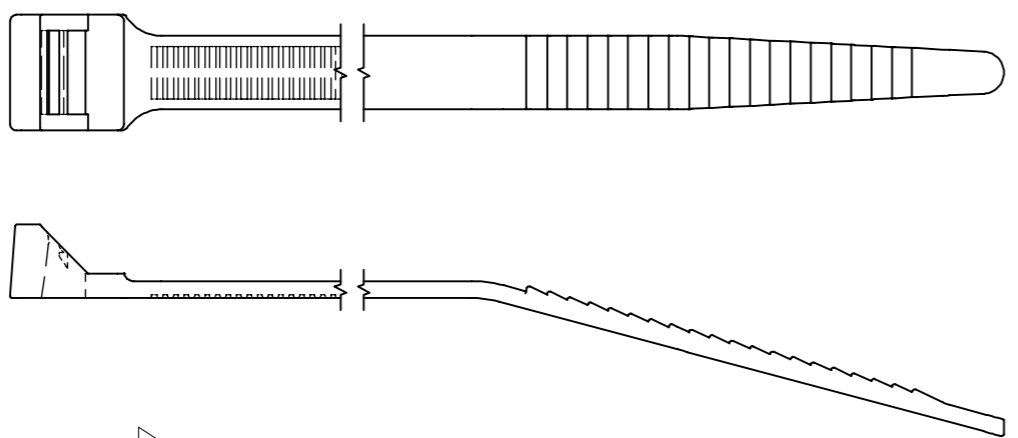
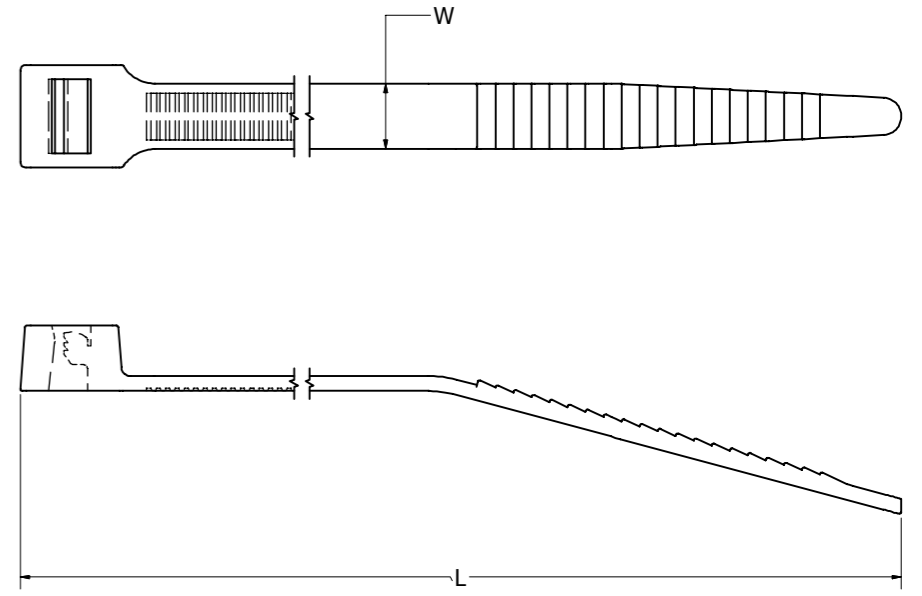


CATALOG NUMBER	MATERIAL	MIN. TENSILE STRENGTH (LBS)	BUNDLE DIA.	FEATURE	PACKAGE	COLOR	W	L
CT2501000Q	NYLON 6/6 STANDARD	250 LBS	10.00 [254]	--	25	NATURAL	.50 [13]	35.00 [889]
CT2501000Q0	NYLON 6/6 STANDARD	250 LBS	10.00 [254]	--	25	UV BLACK ¹		
CT2501000Q1	NYLON 6/6 STANDARD	250 LBS	10.00 [254]	--	25	BROWN		
CT2501000Q10	NYLON 6/6 STANDARD	250 LBS	10.00 [254]	--	25	WHITE		
CT2501000Q11	NYLON 6/6 STANDARD	250 LBS	10.00 [254]	--	25	TELCO GRAY		
CT2501000Q2	NYLON 6/6 STANDARD	250 LBS	10.00 [254]	--	25	RED		
CT2501000Q3	NYLON 6/6 STANDARD	250 LBS	10.00 [254]	--	25	ORANGE		
CT2501000Q4	NYLON 6/6 STANDARD	250 LBS	10.00 [254]	--	25	YELLOW		
CT2501000Q5	NYLON 6/6 STANDARD	250 LBS	10.00 [254]	--	25	GREEN		
CT2501000Q6	NYLON 6/6 STANDARD	250 LBS	10.00 [254]	--	25	BLUE		
CT2501000Q7	NYLON 6/6 STANDARD	250 LBS	10.00 [254]	--	25	PURPLE		
CT2501000Q8	NYLON 6/6 STANDARD	250 LBS	10.00 [254]	--	25	GRAY		
CT2501000RQ	NYLON 6/6 STANDARD	250 LBS	10.00 [254]	1 RELEASABLE TIE	25	NATURAL		
CT2501000RQ0	NYLON 6/6 STANDARD	250 LBS	10.00 [254]	1 RELEASABLE TIE	25	UV BLACK ¹		

REV	DATE	DESCRIPTION	ECO	BY	C'H'K.
A	06/30/2012	CREATE SALES DRAWING	27680	BD	MB



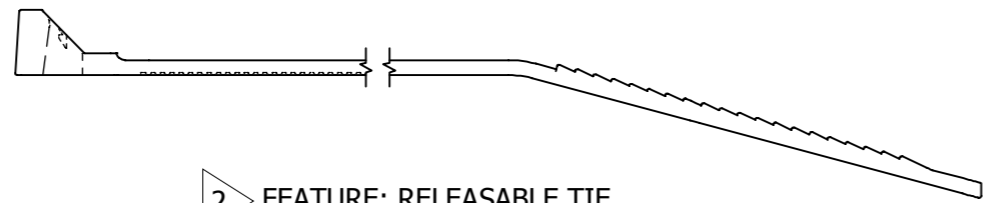
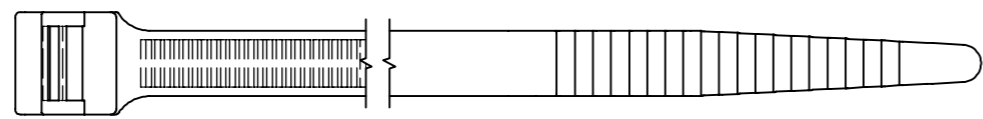
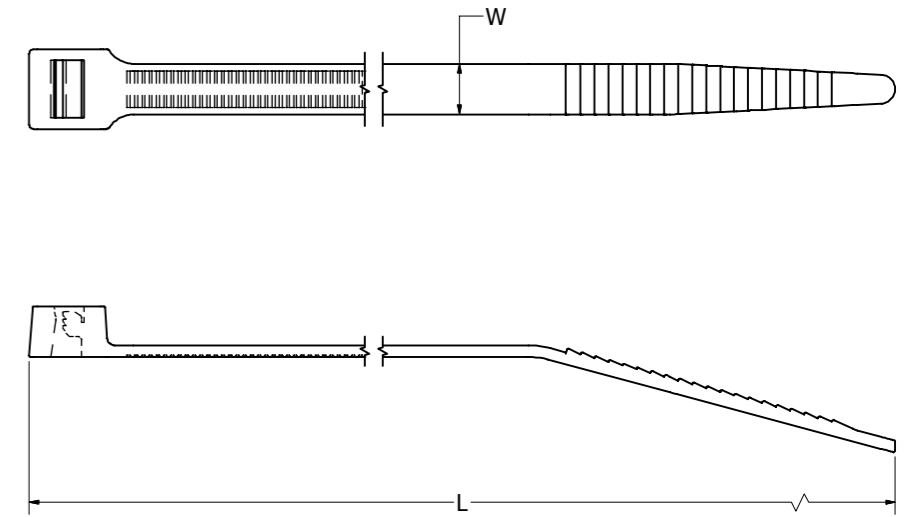
1 FEATURE : RELEASABLE TIE

- NOTES:
- DIMENSIONS IN BRACKETS [] ARE IN MILLIMETERS ROUNDED OFF TO THE NEAREST MILLIMETER, UNLESS OTHERWISE SPECIFIED AND ARE FOR REFERENCE ONLY.
 - COLOR UV BLACK¹ MATERIAL IS NYLON 6/6 UV STABILIZED.

TO ORDER BURNDY® PRODUCTS CALL		UNIRAP™															
UNITED STATES 1-800-346-4175 (LONDONDERRY, NH)		ITEM NO: N/A															
CANADA: 1-800-361-6975 (QUEBEC) 1-800-387-6487 (ALL OTHER PROVINCES)		CAT. NO: SEE TABLE															
FOR PRODUCT INFO: http://www.burndy.com		<table border="1"> <tr> <td>DRAWN BY: B.DURAICHAMY</td> <td>6/26/2012</td> <td rowspan="5"></td> </tr> <tr> <td>CHECKER: A.MONTMINY</td> <td>10/17/2012</td> </tr> <tr> <td>DSN APRVL: A.MONTMINY</td> <td>10/17/2012</td> </tr> <tr> <td>MFG APRVL: --</td> <td></td> </tr> <tr> <td>QA APRVL: C.KOWALCZYK</td> <td>10/11/2012</td> </tr> <tr> <td>MKT APRVL: R.CAVANAUGH</td> <td>10/10/2012</td> <td></td> </tr> </table>		DRAWN BY: B.DURAICHAMY	6/26/2012		CHECKER: A.MONTMINY	10/17/2012	DSN APRVL: A.MONTMINY	10/17/2012	MFG APRVL: --		QA APRVL: C.KOWALCZYK	10/11/2012	MKT APRVL: R.CAVANAUGH	10/10/2012	
DRAWN BY: B.DURAICHAMY	6/26/2012																
CHECKER: A.MONTMINY	10/17/2012																
DSN APRVL: A.MONTMINY	10/17/2012																
MFG APRVL: --																	
QA APRVL: C.KOWALCZYK	10/11/2012																
MKT APRVL: R.CAVANAUGH	10/10/2012																
		PROJ #:	SIZE														
		DOCUMENT TYPE: SALES	50004699														
		REL LEVEL: Released	D														
		DRAWING NO	REV														
		50004699	A														
		SHEET 1 OF 6															

CATALOG NUMBER	MATERIAL	MIN. TENSILE STRENGTH (LBS)	BUNDLE DIA.	FEATURE	PACKAGE	COLOR	W	L
CT2501200Q	NYLON 6/6 STANDARD	250 LBS	12.00 [305]	--	25	NATURAL	.50 [13]	40.00 [1016]
CT2501200Q0	NYLON 6/6 STANDARD	250 LBS	12.00 [305]	--	25	UV BLACK ¹		
CT2501200Q1	NYLON 6/6 STANDARD	250 LBS	12.00 [305]	--	25	BROWN		
CT2501200Q10	NYLON 6/6 STANDARD	250 LBS	12.00 [305]	--	25	WHITE		
CT2501200Q11	NYLON 6/6 STANDARD	250 LBS	12.00 [305]	--	25	TELCO GRAY		
CT2501200Q2	NYLON 6/6 STANDARD	250 LBS	12.00 [305]	--	25	RED		
CT2501200Q3	NYLON 6/6 STANDARD	250 LBS	12.00 [305]	--	25	ORANGE		
CT2501200Q4	NYLON 6/6 STANDARD	250 LBS	12.00 [305]	--	25	YELLOW		
CT2501200Q5	NYLON 6/6 STANDARD	250 LBS	12.00 [305]	--	25	GREEN		
CT2501200Q6	NYLON 6/6 STANDARD	250 LBS	12.00 [305]	--	25	BLUE		
CT2501200Q7	NYLON 6/6 STANDARD	250 LBS	12.00 [305]	--	25	PURPLE		
CT2501200Q8	NYLON 6/6 STANDARD	250 LBS	12.00 [305]	--	25	GRAY		
CT2501200RQ	NYLON 6/6 STANDARD	250 LBS	12.00 [305]	1 RELEASABLE TIE	25	NATURAL		
CT2501200RQ0	NYLON 6/6 STANDARD	250 LBS	12.00 [305]	1 RELEASABLE TIE	25	UV BLACK ¹		

REV	DATE	DESCRIPTION	ECO	BY	C'H'K.
A	06/30/2012	CREATE SALES DRAWING	27680	BD	MB



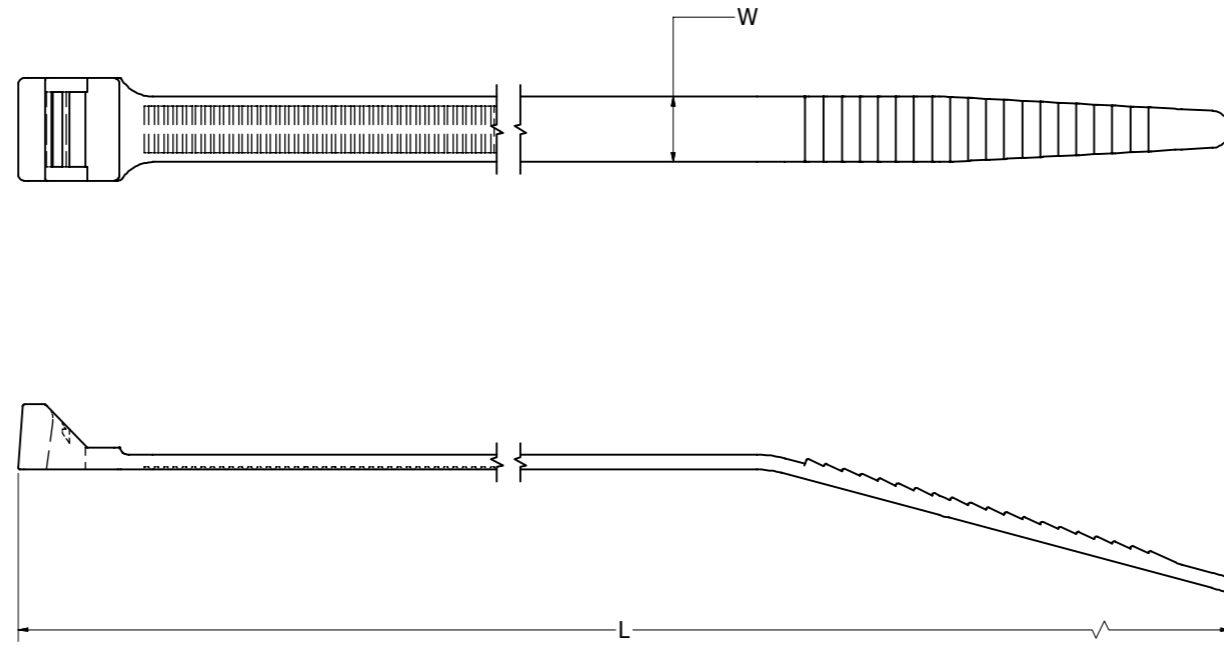
2 FEATURE: RELEASABLE TIE

NOTES:

- DIMENSIONS IN BRACKETS [] ARE IN MILLIMETERS ROUNDED OFF TO THE NEAREST MILLIMETER, UNLESS OTHERWISE SPECIFIED AND ARE FOR REFERENCE ONLY.
- COLOR UV BLACK¹ MATERIAL IS NYLON 6/6 UV STABILIZED.

TO ORDER BURNDY® PRODUCTS CALL		UNIRAP™															
UNITED STATES 1-800-346-4175 (LONDONDERRY, NH)		ITEM NO: N/A															
CANADA: 1-800-361-6975 (QUEBEC) 1-800-387-6487 (ALL OTHER PROVINCES)		CAT. NO: SEE TABLE															
FOR PRODUCT INFO: http://www.burndy.com		<table border="1"> <tr> <td>DRAWN BY: B.DURAICHAMY</td> <td>6/26/2012</td> <td rowspan="5"></td> </tr> <tr> <td>CHECKER: A.MONTMINY</td> <td>10/17/2012</td> </tr> <tr> <td>DSN APRVL: A.MONTMINY</td> <td>10/17/2012</td> </tr> <tr> <td>MFG APRVL: --</td> <td></td> </tr> <tr> <td>QA APRVL: C.KOWALCZYK</td> <td>10/11/2012</td> </tr> <tr> <td>MKT APRVL: R.CAVANAUGH</td> <td>10/10/2012</td> <td></td> </tr> </table>		DRAWN BY: B.DURAICHAMY	6/26/2012		CHECKER: A.MONTMINY	10/17/2012	DSN APRVL: A.MONTMINY	10/17/2012	MFG APRVL: --		QA APRVL: C.KOWALCZYK	10/11/2012	MKT APRVL: R.CAVANAUGH	10/10/2012	
DRAWN BY: B.DURAICHAMY	6/26/2012																
CHECKER: A.MONTMINY	10/17/2012																
DSN APRVL: A.MONTMINY	10/17/2012																
MFG APRVL: --																	
QA APRVL: C.KOWALCZYK	10/11/2012																
MKT APRVL: R.CAVANAUGH	10/10/2012																
		DRAWING NO	REV														
		50004699	A														
		PROJECT #: --	SIZE														
		DOCUMENT TYPE: SALES	D														
		REL LEVEL: Released	SHEET 2 OF 6														

CATALOG NUMBER	MATERIAL	MIN. TENSILE STRENGTH (LBS)	BUNDLE DIA.	FEATURE	PACKAGE	COLOR	W	L	REV	DATE	DESCRIPTION	ECO	BY	C'HK.
									A	06/30/2012	CREATE SALES DRAWING	27680	BD	MB
CT250200RQ	NYLON 6/6 STANDARD	250 LBS	2.00 [51]	1 RELEASABLE TIE	25	NATURAL	.50 [13]	9.00 [229]						
CT250200RQ0	NYLON 6/6 STANDARD	250 LBS	2.00 [51]	1 RELEASABLE TIE	25	UV BLACK ¹								



1 FEATURE: RELEASABLE TIE

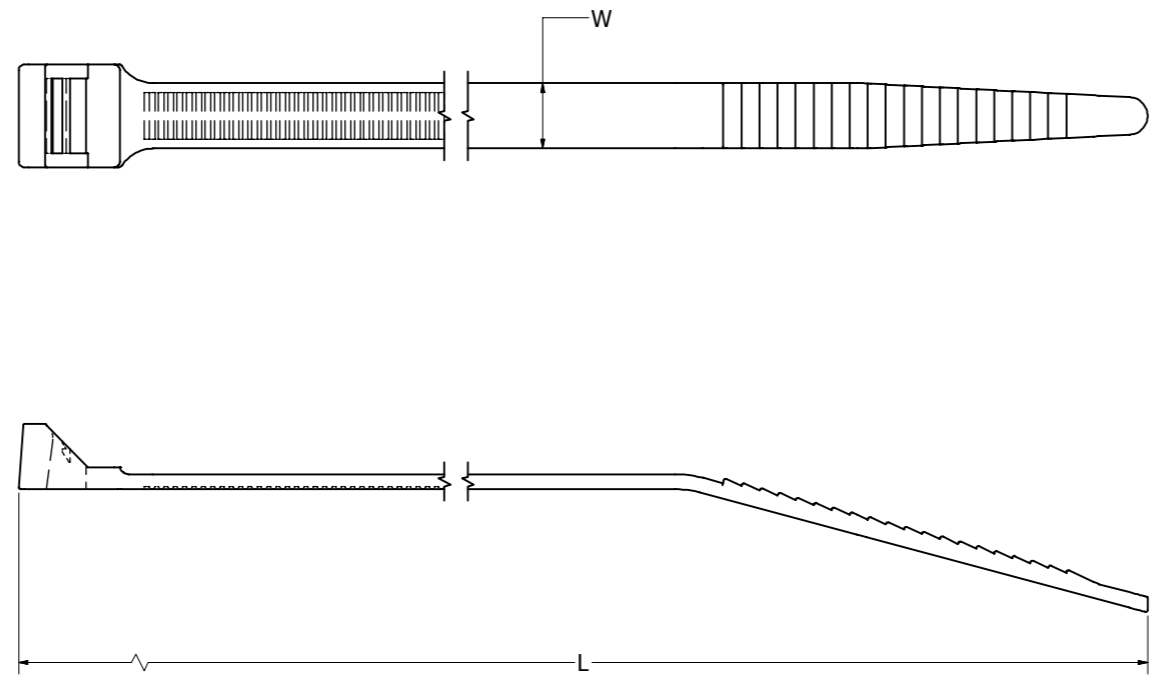
NOTES:

1. DIMENSIONS IN BRACKETS [] ARE IN MILLIMETERS ROUNDED OFF TO THE NEAREST MILLIMETER, UNLESS OTHERWISE SPECIFIED AND ARE FOR REFERENCE ONLY.
2. COLOR UV BLACK¹ MATERIAL IS NYLON 6/6 UV STABILIZED.

TO ORDER BURNDY® PRODUCTS CALL		UNIRAP™	
UNITED STATES 1-800-346-4175 (LONDONDERRY, NH)		ITEM NO: N/A	
CANADA: 1-800-361-6975 (QUEBEC) 1-800-387-6487 (ALL OTHER PROVINCES)		CAT. NO: SEE TABLE	
FOR PRODUCT INFO: http://www.burndy.com		DRAWN BY: B.DURAICHAMY 6/26/2012 CHECKER: A.MONTMINY 10/17/2012 DSN APRVL: A.MONTMINY 10/17/2012 MFG APRVL: -- QA APRVL: C.KOWALCZYK 10/11/2012 MKT APRVL: R.CAVANAUGH 10/10/2012	
PROJECT #: --	SIZE: D	DRAWING NO: 50004699	
DOCUMENT TYPE: SALES	REL LEVEL: Released	SHEET 3 OF 6	

CATALOG NUMBER	MATERIAL	MIN. TENSILE STRENGTH (LBS)	BUNDLE DIA.	FEATURE	PACKAGE	COLOR	W	L
CT250500RQ	NYLON 6/6 STANDARD	250 LBS	5.00 [127]	▶ 1 RELEASABLE TIE	25	NATURAL	.50 [13]	20.00 [508]
CT250500RQ0	NYLON 6/6 STANDARD	250 LBS	5.00 [127]	▶ 1 RELEASABLE TIE	25	UV BLACK ¹		

REV	DATE	DESCRIPTION	ECO	BY	C'HK.
A	06/30/2012	CREATE SALES DRAWING	27680	BD	MB



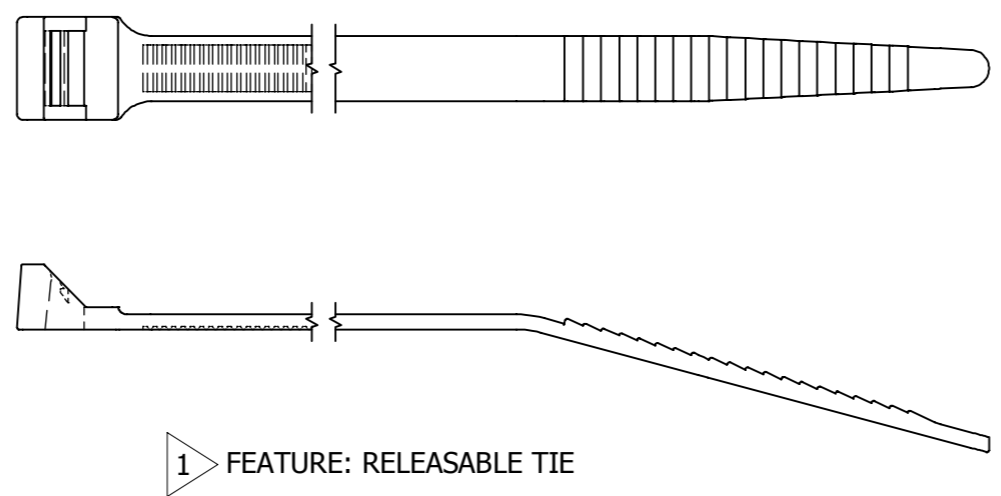
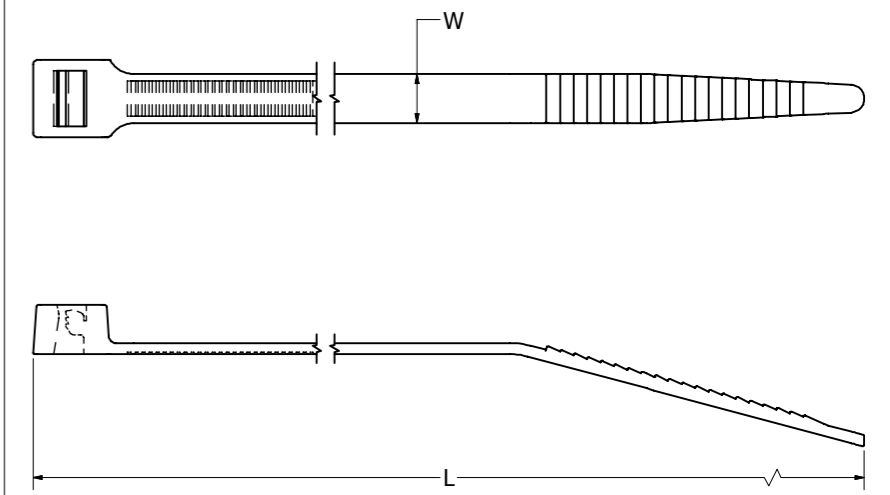
NOTES:

1. DIMENSIONS IN BRACKETS [] ARE IN MILLIMETERS ROUNDED OFF TO THE NEAREST MILLIMETER, UNLESS OTHERWISE SPECIFIED AND ARE FOR REFERENCE ONLY.
2. COLOR UV BLACK¹ MATERIAL IS NYLON 6/6 UV STABILIZED.

TO ORDER BURNDY® PRODUCTS CALL		UNIRAP™	
UNITED STATES 1-800-346-4175 (LONDONDERRY, NH)		ITEM NO: N/A	
CANADA: 1-800-361-6975 (QUEBEC) 1-800-387-6487 (ALL OTHER PROVINCES)		CAT. NO: SEE TABLE	
FOR PRODUCT INFO: http://www.burndy.com		DRAWN BY: B.DURAICHAMY 6/26/2012 CHECKER: A.MONTMINY 10/17/2012 DSN APRVL: A.MONTMINY 10/17/2012 MFG APRVL: -- QA APRVL: C.KOWALCZYK 10/11/2012 MKT APRVL: R.CAVANAUGH 10/10/2012	
PROJECT #: --	SIZE: D	DRAWING NO: 50004699	
DOCUMENT TYPE: SALES	REL LEVEL: Released	SHEET 4 OF 6	

CATALOG NUMBER	MATERIAL	MIN. TENSILE STRENGTH (LBS)	BUNDLE DIA.	FEATURE	PACKAGE	COLOR	W	L
CT250600Q	NYLON 6/6 STANDARD	250 LBS	6.00 [152]	--	25	NATURAL	.50 [13]	23.00 [584]
CT250600Q0	NYLON 6/6 STANDARD	250 LBS	6.00 [152]	--	25	UV BLACK ¹		
CT250600Q1	NYLON 6/6 STANDARD	250 LBS	6.00 [152]	--	25	BROWN		
CT250600Q10	NYLON 6/6 STANDARD	250 LBS	6.00 [152]	--	25	WHITE		
CT250600Q11	NYLON 6/6 STANDARD	250 LBS	6.00 [152]	--	25	TELCO GRAY		
CT250600Q2	NYLON 6/6 STANDARD	250 LBS	6.00 [152]	--	25	RED		
CT250600Q3	NYLON 6/6 STANDARD	250 LBS	6.00 [152]	--	25	ORANGE		
CT250600Q4	NYLON 6/6 STANDARD	250 LBS	6.00 [152]	--	25	YELLOW		
CT250600Q5	NYLON 6/6 STANDARD	250 LBS	6.00 [152]	--	25	GREEN		
CT250600Q6	NYLON 6/6 STANDARD	250 LBS	6.00 [152]	--	25	BLUE		
CT250600Q7	NYLON 6/6 STANDARD	250 LBS	6.00 [152]	--	25	PURPLE		
CT250600Q8	NYLON 6/6 STANDARD	250 LBS	6.00 [152]	--	25	GRAY		
CT250600RQ	NYLON 6/6 STANDARD	250 LBS	6.00 [152]	1 RELEASABLE TIE	25	NATURAL		
CT250600RQ0	NYLON 6/6 STANDARD	250 LBS	6.00 [152]	1 RELEASABLE TIE	25	UV BLACK ¹		

REV	DATE	DESCRIPTION	ECO	BY	C'H'K.
A	06/30/2012	CREATE SALES DRAWING	27680	BD	MB



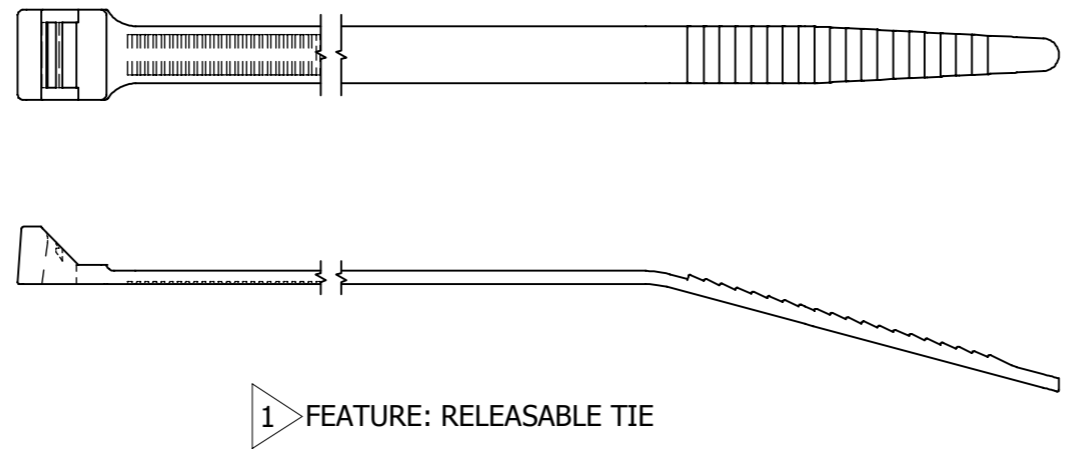
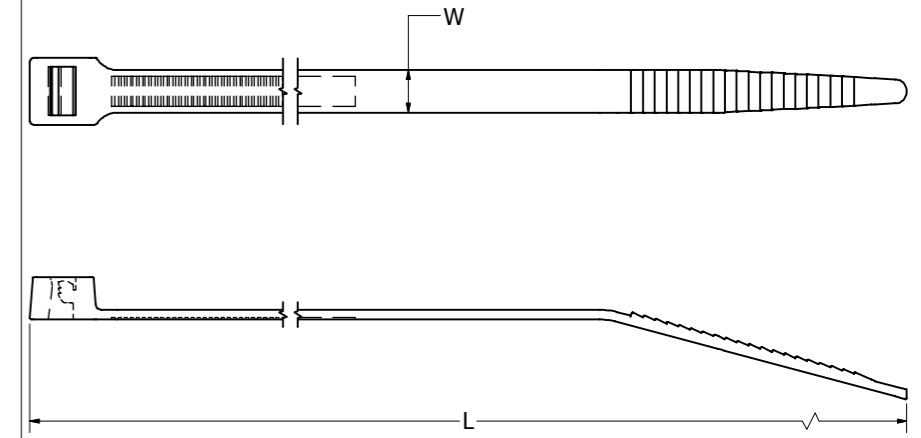
NOTES:

- DIMENSIONS IN BRACKETS [] ARE IN MILLIMETERS ROUNDED OFF TO THE NEAREST MILLIMETER, UNLESS OTHERWISE SPECIFIED AND ARE FOR REFERENCE ONLY.
- COLOR UV BLACK¹ MATERIAL IS NYLON 6/6 UV STABILIZED.

TO ORDER BURNDY® PRODUCTS CALL		UNIRAP™															
UNITED STATES 1-800-346-4175 (LONDONDERRY, NH)		ITEM NO: N/A															
CANADA: 1-800-361-6975 (QUEBEC) 1-800-387-6487 (ALL OTHER PROVINCES)		CAT. NO: SEE TABLE															
FOR PRODUCT INFO: http://www.burndy.com		<table border="1"> <tr> <td>DRAWN BY: B.DURAICHAMY</td> <td>6/26/2012</td> <td rowspan="5"></td> </tr> <tr> <td>CHECKER: A.MONTMINY</td> <td>10/17/2012</td> </tr> <tr> <td>DSN APRVL: A.MONTMINY</td> <td>10/17/2012</td> </tr> <tr> <td>MFG APRVL: --</td> <td></td> </tr> <tr> <td>QA APRVL: C.KOWALCZYK</td> <td>10/11/2012</td> </tr> <tr> <td>MKT APRVL: R.CAVANAUGH</td> <td>10/10/2012</td> <td></td> </tr> </table>		DRAWN BY: B.DURAICHAMY	6/26/2012		CHECKER: A.MONTMINY	10/17/2012	DSN APRVL: A.MONTMINY	10/17/2012	MFG APRVL: --		QA APRVL: C.KOWALCZYK	10/11/2012	MKT APRVL: R.CAVANAUGH	10/10/2012	
DRAWN BY: B.DURAICHAMY	6/26/2012																
CHECKER: A.MONTMINY	10/17/2012																
DSN APRVL: A.MONTMINY	10/17/2012																
MFG APRVL: --																	
QA APRVL: C.KOWALCZYK	10/11/2012																
MKT APRVL: R.CAVANAUGH	10/10/2012																
		PROJ #:	SIZE														
		DOCUMENT TYPE: SALES	D														
		REL LEVEL: Released															
		DRAWING NO	REV														
		50004699	A														
		SHEET 5 OF 6															

CATALOG NUMBER	MATERIAL	MIN. TENSILE STRENGTH (LBS)	BUNDLE DIA.	FEATURE	PACKAGE	COLOR	W	L
CT250800Q	NYLON 6/6 STANDARD	250 LBS	8.00 [203]	--	25	NATURAL	.50 [13]	29.00 [737]
CT250800Q0	NYLON 6/6 STANDARD	250 LBS	8.00 [203]	--	25	UV BLACK ¹		
CT250800Q1	NYLON 6/6 STANDARD	250 LBS	8.00 [203]	--	25	BROWN		
CT250800Q10	NYLON 6/6 STANDARD	250 LBS	8.00 [203]	--	25	WHITE		
CT250800Q11	NYLON 6/6 STANDARD	250 LBS	8.00 [203]	--	25	TELCO GRAY		
CT250800Q2	NYLON 6/6 STANDARD	250 LBS	8.00 [203]	--	25	RED		
CT250800Q3	NYLON 6/6 STANDARD	250 LBS	8.00 [203]	--	25	ORANGE		
CT250800Q4	NYLON 6/6 STANDARD	250 LBS	8.00 [203]	--	25	YELLOW		
CT250800Q5	NYLON 6/6 STANDARD	250 LBS	8.00 [203]	--	25	GREEN		
CT250800Q6	NYLON 6/6 STANDARD	250 LBS	8.00 [203]	--	25	BLUE		
CT250800Q7	NYLON 6/6 STANDARD	250 LBS	8.00 [203]	--	25	PURPLE		
CT250800Q8	NYLON 6/6 STANDARD	250 LBS	8.00 [203]	--	25	GRAY		
CT250800RQ	NYLON 6/6 STANDARD	250 LBS	8.00 [203]	1 RELEASABLE TIE	25	NATURAL		
CT250800RQ0	NYLON 6/6 STANDARD	250 LBS	8.00 [203]	1 RELEASABLE TIE	25	UV BLACK ¹		

REV	DATE	DESCRIPTION	ECO	BY	C'HK.
A	06/30/2012	CREATE SALES DRAWING	27680	BD	MB



NOTES:

- DIMENSIONS IN BRACKETS [] ARE IN MILLIMETERS ROUNDED OFF TO THE NEAREST MILLIMETER, UNLESS OTHERWISE SPECIFIED AND ARE FOR REFERENCE ONLY.
- COLOR UV BLACK¹ MATERIAL IS NYLON 6/6 UV STABILIZED.

TO ORDER BURNDY® PRODUCTS CALL		UNIRAP™															
UNITED STATES 1-800-346-4175 (LONDONDERRY, NH)		ITEM NO: N/A															
CANADA: 1-800-361-6975 (QUEBEC) 1-800-387-6487 (ALL OTHER PROVINCES)		CAT. NO: SEE TABLE															
FOR PRODUCT INFO: http://www.burndy.com		<table border="1"> <tr> <td>DRAWN BY: B.DURAICHAMY</td> <td>6/26/2012</td> <td rowspan="5"></td> </tr> <tr> <td>CHECKER: A.MONTMINY</td> <td>10/17/2012</td> </tr> <tr> <td>DSN APRVL: A.MONTMINY</td> <td>10/17/2012</td> </tr> <tr> <td>MFG APRVL: --</td> <td></td> </tr> <tr> <td>QA APRVL: C.KOWALCZYK</td> <td>10/11/2012</td> </tr> <tr> <td>MKT APRVL: R.CAVANAUGH</td> <td>10/10/2012</td> <td></td> </tr> </table>		DRAWN BY: B.DURAICHAMY	6/26/2012		CHECKER: A.MONTMINY	10/17/2012	DSN APRVL: A.MONTMINY	10/17/2012	MFG APRVL: --		QA APRVL: C.KOWALCZYK	10/11/2012	MKT APRVL: R.CAVANAUGH	10/10/2012	
DRAWN BY: B.DURAICHAMY	6/26/2012																
CHECKER: A.MONTMINY	10/17/2012																
DSN APRVL: A.MONTMINY	10/17/2012																
MFG APRVL: --																	
QA APRVL: C.KOWALCZYK	10/11/2012																
MKT APRVL: R.CAVANAUGH	10/10/2012																
PROJ #: --		DRAWING NO: 50004699															
DOCUMENT TYPE: SALES		REV: A															
REL LEVEL: Released		SHEET 6 OF 6															