

*** BILL OF MATERIAL ***

REV.	DATE	DESCRIPTION	ECO	BY	C'H'K.
A	4/10/2010 12:00:00 AM	CREATE SALES DRAWING	20804	RG	MR

CATALOG NUMBER	BSC2L	BSC2H	R17A	R22B	R17C	R24F	R25D	EPB
BSC2L	1							
BSC2L5A	1		5					
BSC2L3A2B	1		3	2				
BSC2L5B	1			5				
BSC2H		1						
BSC2H5A		1	5					
BSC2H3A2B		1	3	2				
BSC2H5B		1		5				
BSC2H2A1B1FEBP		1	2	1		1		1
BSC2L1C2DEBP	1				1		2	1
BSC2L2C1DEBP	1				2		1	1
BSC2H1C2DEBP		1			1		2	1
BSC2H2C1DEBP		1			2		1	1

NOTES:

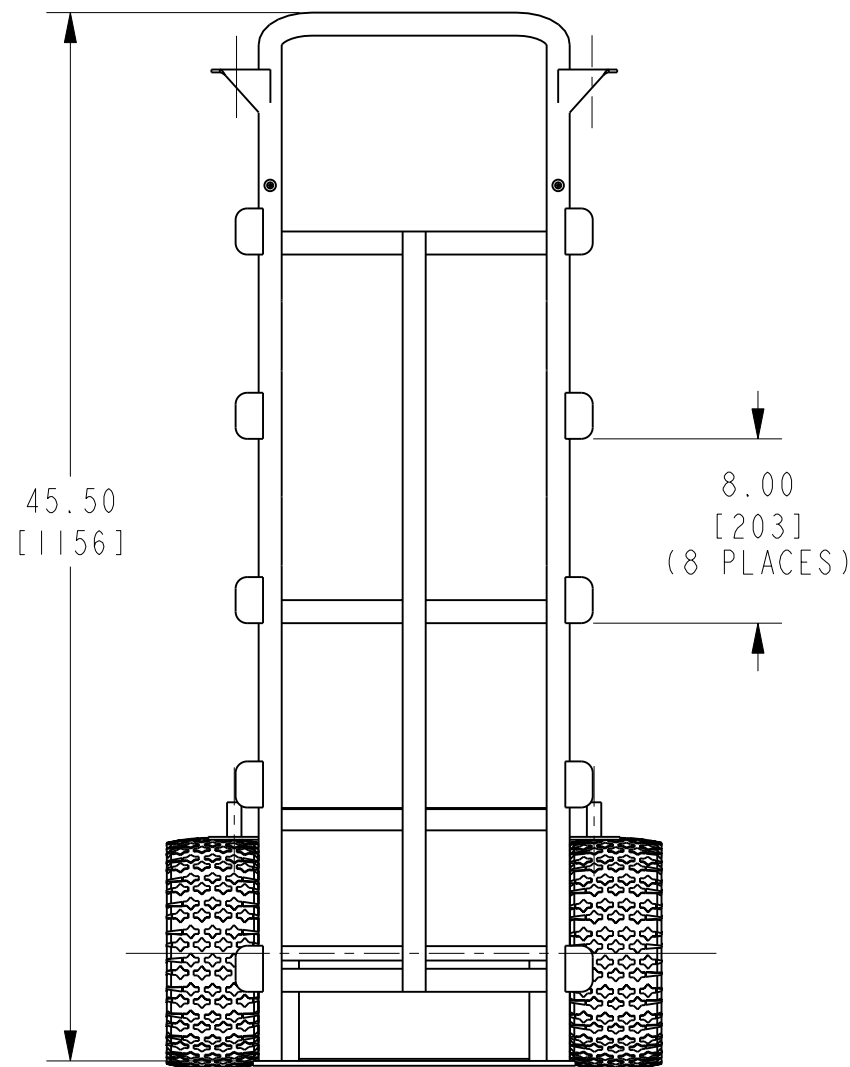
1. THIS DRAWING TO BE INTERPRETED PER ASME Y14.5M - 1994.
2. READ TABLE GOING ACROSS: EXAMPLE: BSC2L1A2C CONSISTS OF (1) BSC2L, (1) R17A, AND (2) R17C ITEMS.

REV: PE0200

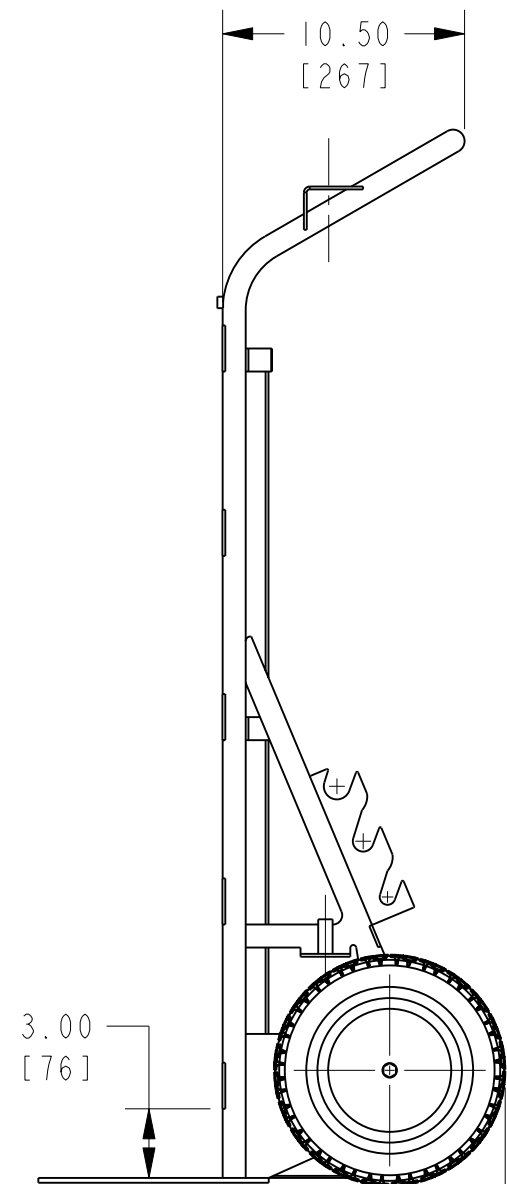
TO ORDER BURNDY® PRODUCTS CALL		THE SMARTCART™ CONFIGURATIONS	
UNITED STATES:		ITEM NO: N/A	
1-800-346-4175 (LONDONDERRY, NH)		CAT. NO: SEE TABLE	
CANADA:		DRAWN BY: C. RAJEEV 4/10/10	
1-800-361-6975 (QUEBEC)		CHECKER: R. ROMAN 4/19/10	
1-800-387-6487 (ALL OTHER PROVINCES)		DSN APPVL: R. ROMAN 4/19/10	
FOR PRODUCT INFO: http://www.burndy.com		MFG APPVL: S. GONYAW 4/20/10	
		QA APPVL: J. BRODEUR 4/21/10	
		MKT APPVL: -- --	
		SCALE: NTS	
		DRAWING NO	
		REV	
		PROJECT #: --	
		SIZE	
		10112476	
		DOCUMENT TYPE: Sales	
		B	
		REL LEVEL: Released	
		SHEET 1 OF 4	
		A	



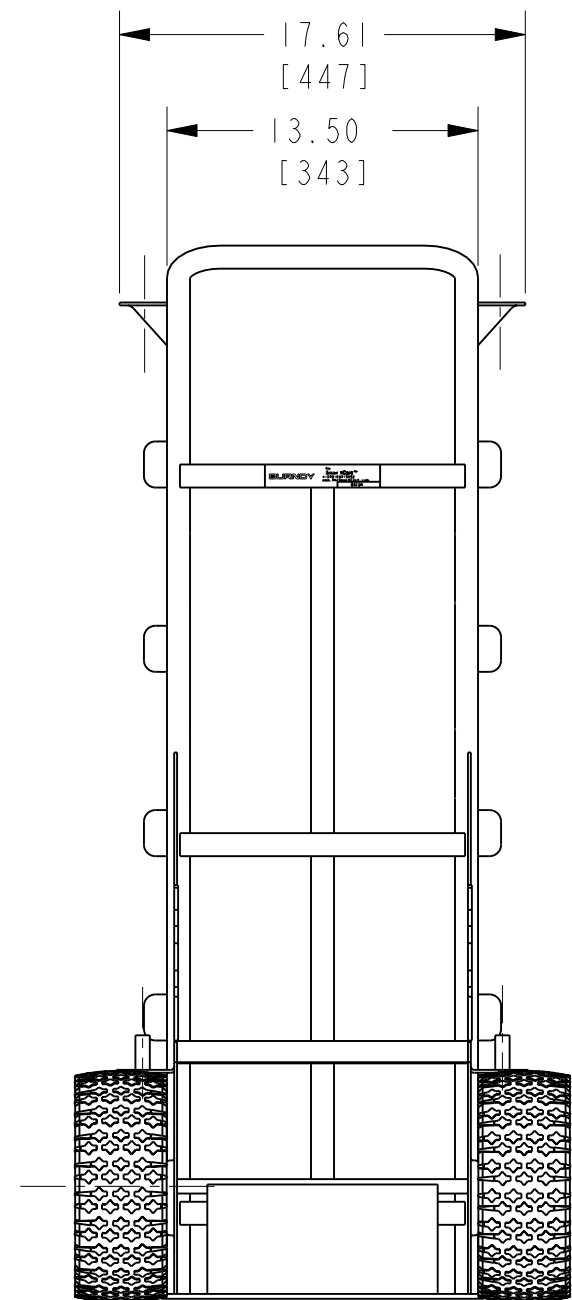
REV.	DATE	DESCRIPTION	ECO	BY	C'H'K.
A	4/10/2010 12:00:00 AM	CREATE SALES DRAWING	20804	RG	MR



FRONT



BSC2H



BACK

NOTES:

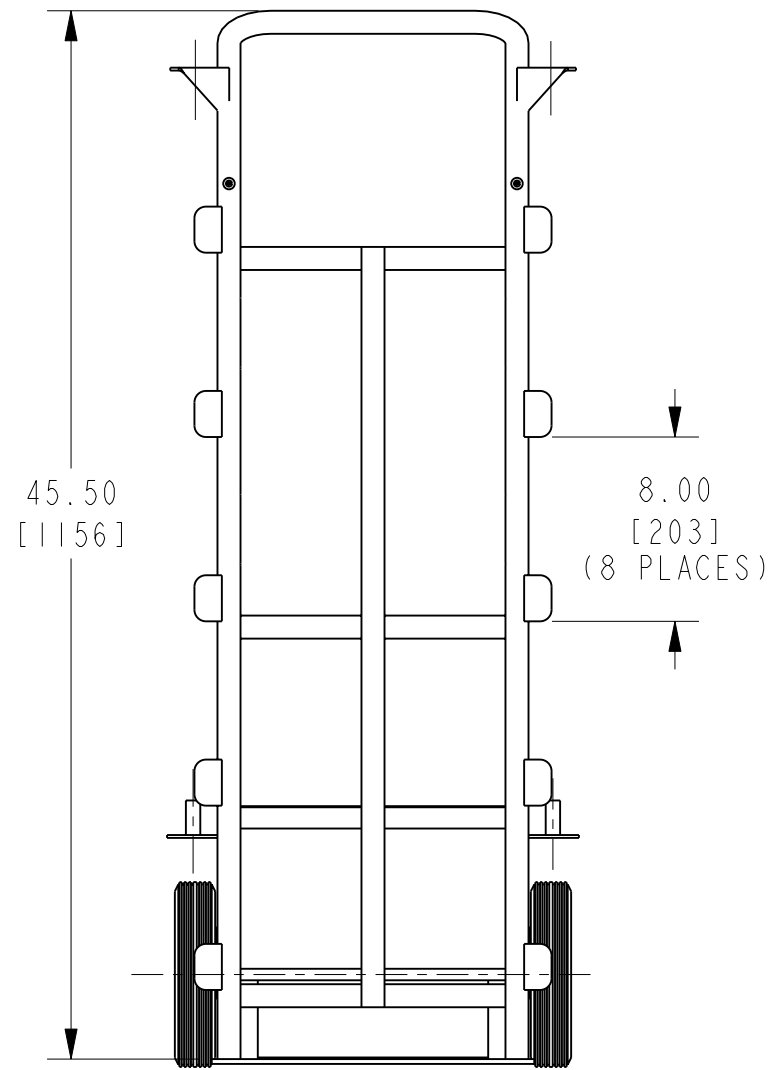
1. THIS DRAWING TO BE INTERPRETED PER ASME Y14.5M - 1994.
2. PNEUMATIC TUBE STYLE WHEEL 300 LB. CAPACITY AT 30 P.S.I.
3. DIMENSIONS IN BRACKETS [] ARE IN MILLIMETERS ROUNDED OFF TO THE NEAREST MILLIMETER, UNLESS OTHERWISE NOTED, AND ARE FOR REFERENCE ONLY.

REV: PE0200

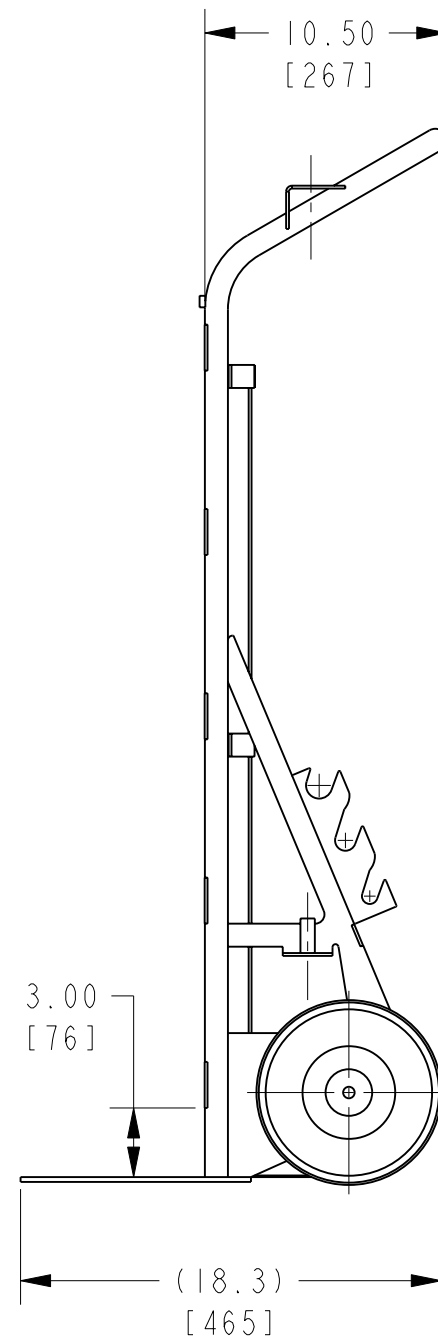
TO ORDER BURNDY® PRODUCTS CALL
 UNITED STATES:
 1-800-346-4175 (LONDONDERRY, NH)
 CANADA:
 1-800-361-6975 (QUEBEC)
 1-800-387-6487 (ALL OTHER PROVINCES)
 FOR PRODUCT INFO: <http://www.burndy.com>

THE SMARTCART™ CONFIGURATIONS			
ITEM NO: N/A			
CAT. NO: SEE TABLE			
DRAWN BY:	C. RAJEEV	4/10/10	BURNDY
CHECKER:	R. ROMAN	4/19/10	
DSN APPVL:	R. ROMAN	4/19/10	
MFG APPVL:	S. GONYAW	4/20/10	
QA APPVL:	J. BRODEUR	4/21/10	
MKT APPVL:	--	--	
PROD FAM:	--	--	SCALE: NTS
PROJECT #:	--	--	DRAWING NO
DOCUMENT TYPE:	Sales	SIZE	10112476
REL LEVEL:	Released	B	SHEET 2 OF 4
			REV
			A

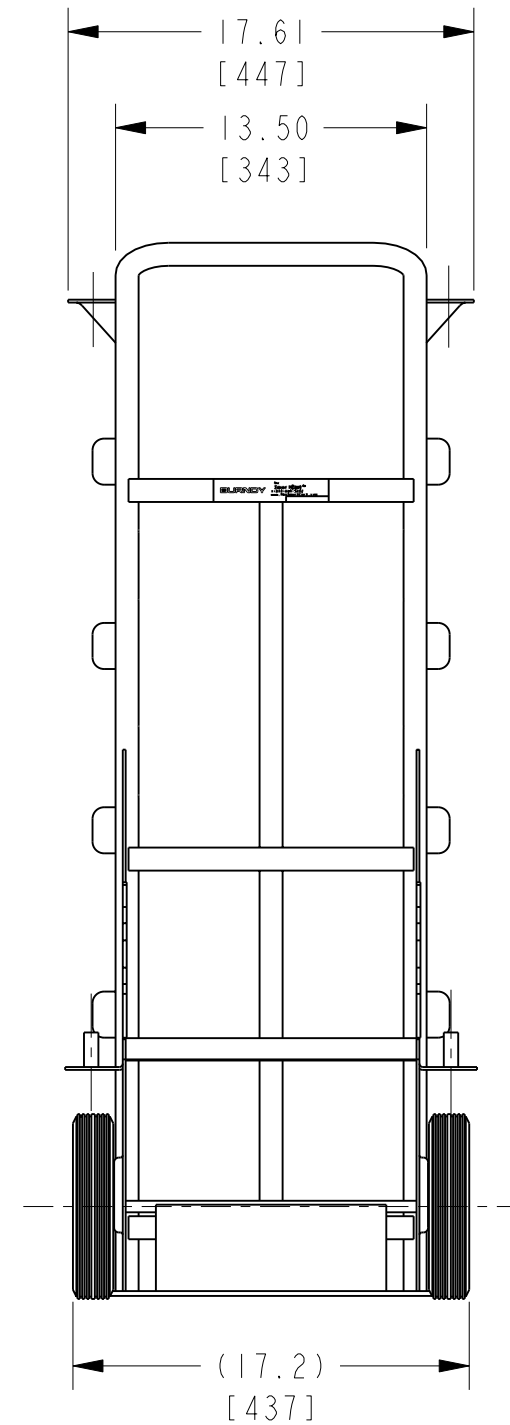
REV.	DATE	DESCRIPTION	ECO	BY	C'H'K.
A	4/10/2010 12:00:00 AM	CREATE SALES DRAWING	20804	RG	MR



FRONT



BSC2L



BACK

NOTES:

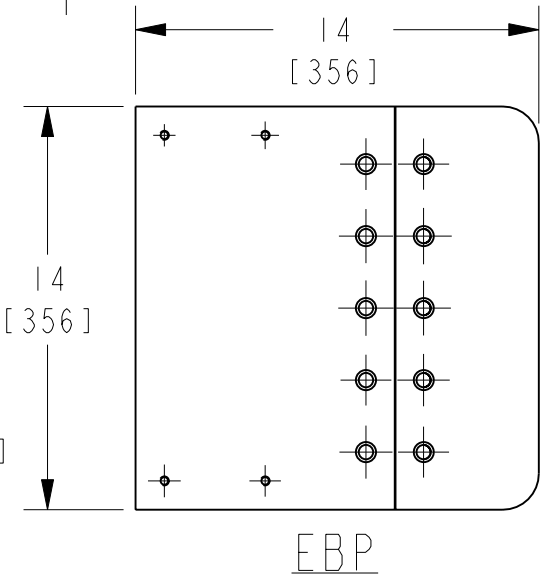
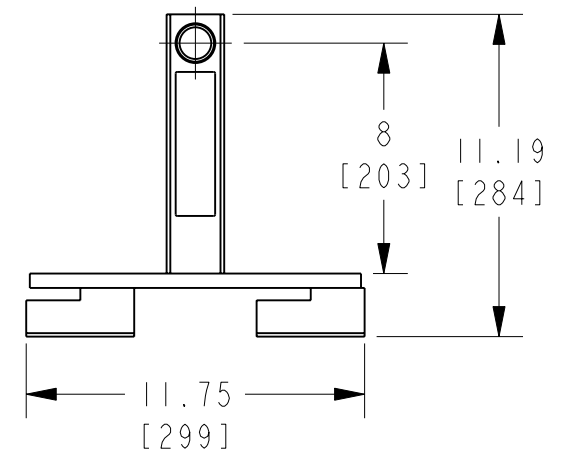
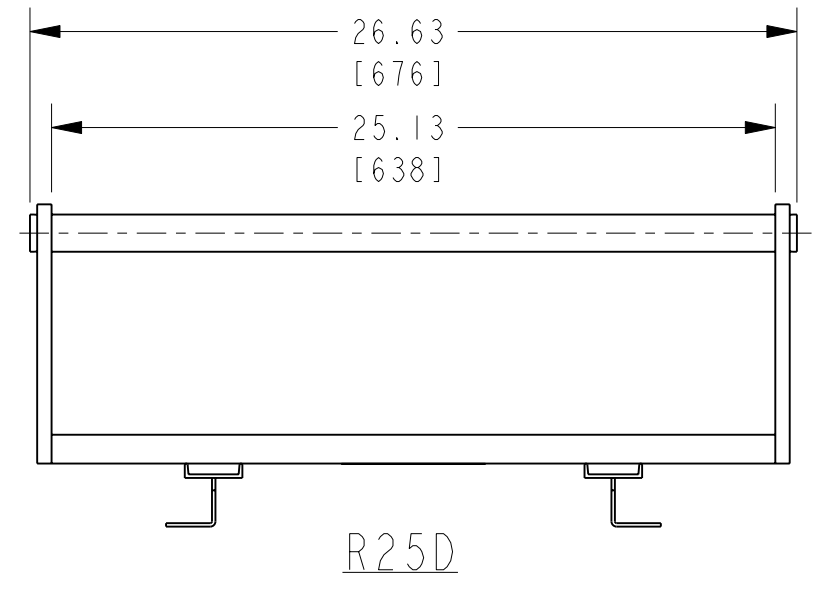
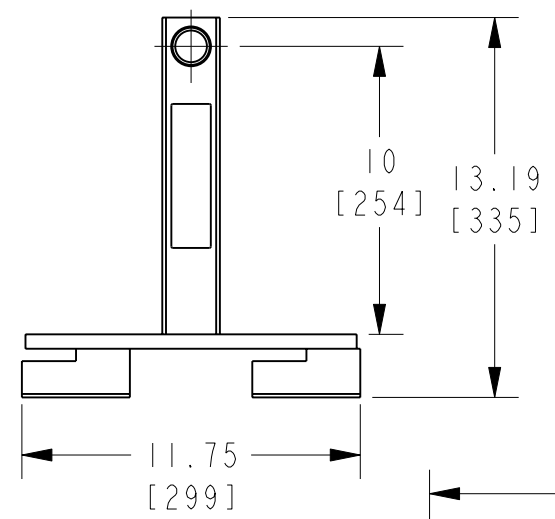
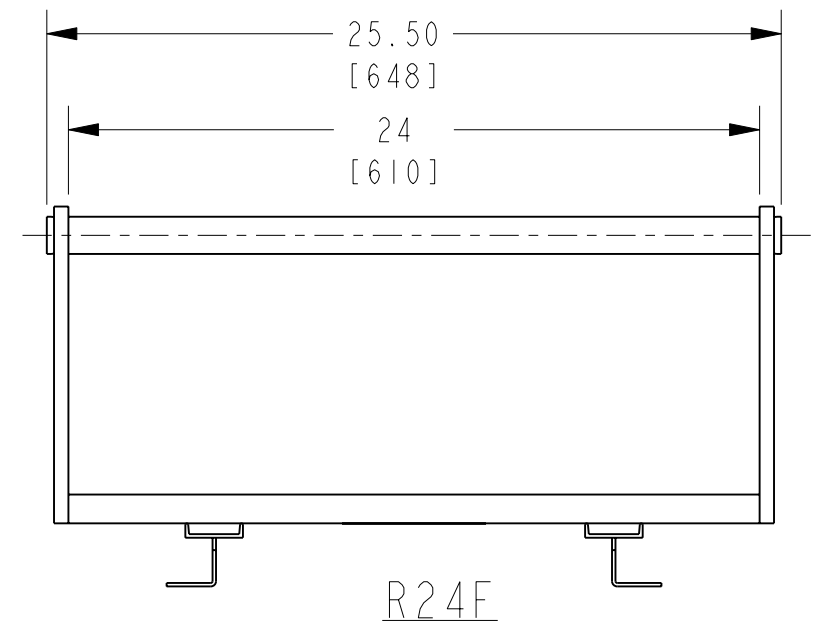
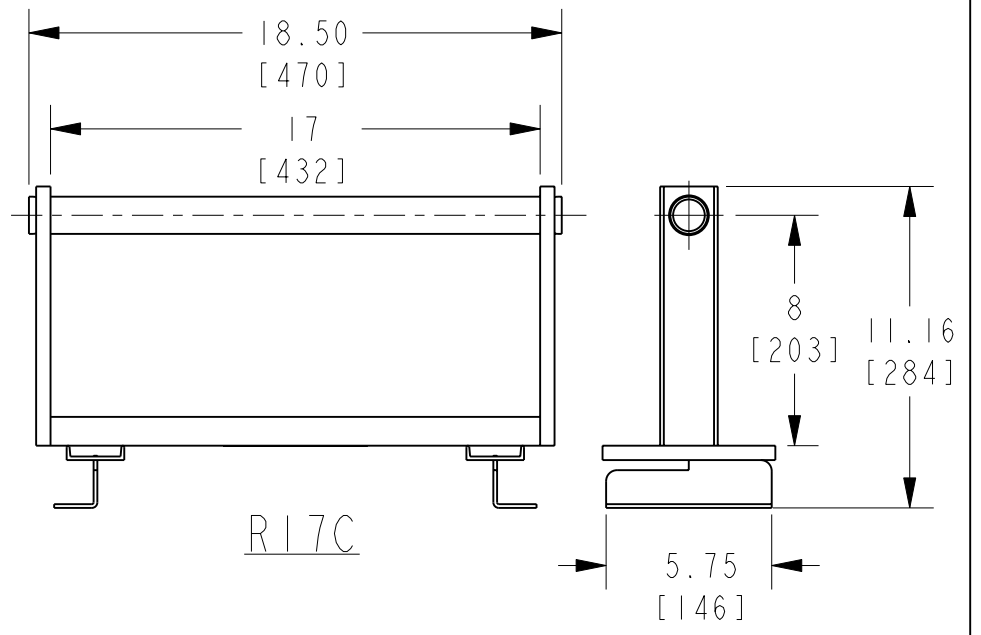
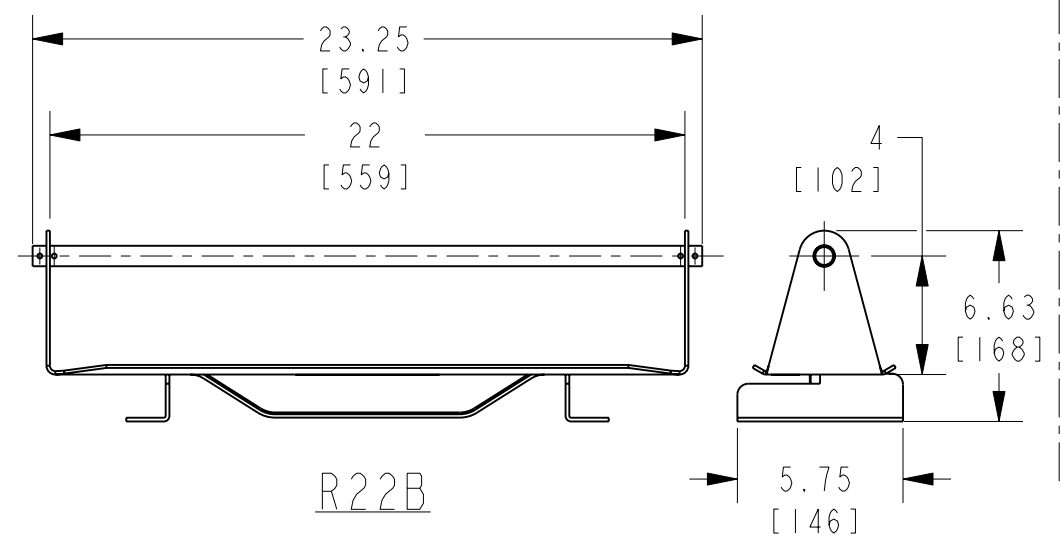
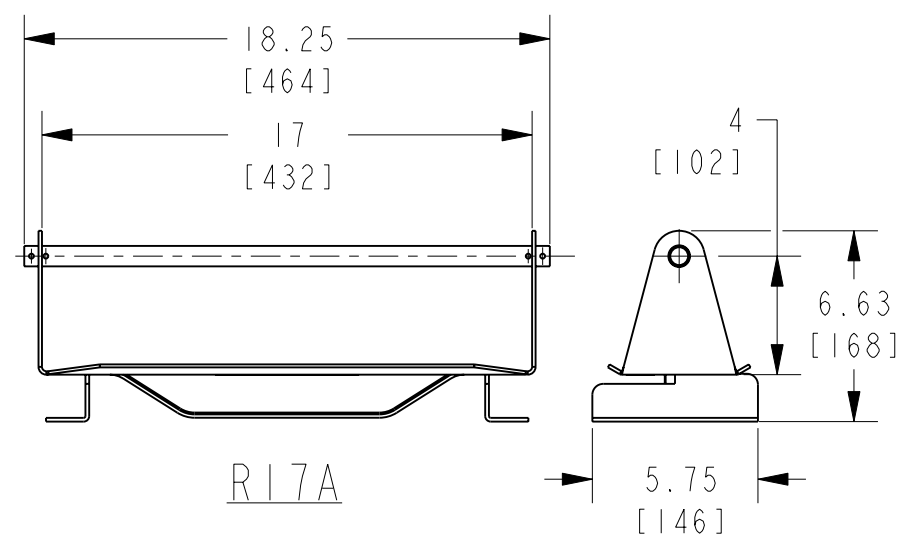
1. THIS DRAWING TO BE INTERPRETED PER ASME Y14.5M - 1994.
2. DIMENSIONS IN BRACKETS [] ARE IN MILLIMETERS ROUNDED OFF TO THE NEAREST MILLIMETER, UNLESS OTHERWISE NOTED, AND ARE FOR REFERENCE ONLY.

REV: PE0200

TO ORDER BURNDY® PRODUCTS CALL
 UNITED STATES:
 1-800-346-4175 (LONDONDERRY, NH)
 CANADA:
 1-800-361-6975 (QUEBEC)
 1-800-387-6487 (ALL OTHER PROVINCES)
 FOR PRODUCT INFO: <http://www.burndy.com>

THE SMARTCART™ CONFIGURATIONS			
ITEM NO: N/A			
CAT. NO: SEE TABLE			
DRAWN BY: C. RAJEEV	4/10/10		
CHECKER: R. ROMAN	4/19/10		
DSN APPVL: R. ROMAN	4/19/10		
MFG APPVL: S. GONYAW	4/20/10		
QA APPVL: J. BRODEUR	4/21/10		
MKT APPVL: --	--		
PROD FAM: --	--	SCALE: NTS	
PROJECT #: --	SIZE	DRAWING NO	REV
DOCUMENT TYPE: Sales	B	10112476	A
REL LEVEL: Released		SHEET 3 OF 4	

REV.	DATE	DESCRIPTION	ECO	BY	C'H'K.
A	4/10/2010 12:00:00 AM	CREATE SALES DRAWING	20804	RG	MR



NOTES:

- THIS DRAWING TO BE INTERPRETED PER ASME Y14.5M - 1994.
- DIMENSIONS IN BRACKETS [] DENOTES METRIC UNITS [SI UNITS] AND ARE ROUNDED TO THE NEAREST WHOLE NUMBER. UNLESS OTHERWISE SPECIFIED THESE UNITS SHALL BE USED FOR REFERENCE ONLY.

TO ORDER BURNDY® PRODUCTS CALL
 UNITED STATES:
 1-800-346-4175 (LONDONDERRY, NH)
 CANADA:
 1-800-361-6975 (QUEBEC)
 1-800-387-6487 (ALL OTHER PROVINCES)
 FOR PRODUCT INFO: <http://www.burndy.com>

THE SMARTCART™ CONFIGURATIONS			
ITEM NO: N/A			
CAT. NO: SEE TABLE			
DRAWN BY: C. RAJEEV	4/10/10		
CHECKER: R. ROMAN	4/19/10		
DSN APPVL: R. ROMAN	4/19/10		
MFG APPVL: S. GONYAW	4/20/10		
QA APPVL: J. BRODEUR	4/21/10		
MKT APPVL: --	--		
PROD FAM: --	--	SCALE: NT8	
PROJECT #: --	SIZE	DRAWING NO	REV
DOCUMENT TYPE: Sales	B	10112476	A
REL LEVEL: Released		SHEET 4 OF 4	

REV: PE0200