

CAT. NO.	WIRE RANGE		OPENINGS PER POLE		AMP RATING (PER POLE)	HEX. SIZE		RECOMMENDED TORQUE (in/lb)		FIGURE	SAFETY COVER
	RUN	TAP	RUN	TAP		RUN	TAP	RUN	TAP		
BDASHC-11-2/0	AWG 14 - 2/0	AWG 14 - 2/0	1	1	175	3/16	3/16	120	120	1	BDBSHCCOVER
BDALHC-11-500	AWG 4 - 500 kcmil	AWG 4 - 500 kcmil	1	1	380	7/16	7/16	500	500	3	BDBLHCCOVER
BDASHC-14-2/0	AWG 14 - 2/0	AWG 14 - 4	1	4	175	3/16	SLOT	120	40	1	BDBSHCCOVER
BDALHC-16-350	AWG 6 - 350 kcmil	AWG 14 - 2/0	1	6	310	5/16	3/16	275	120	3	BDBLHCCOVER
BDALHC-16-500	AWG 4 - 500 kcmil	AWG 14 - 2/0	1	6	380	7/16	3/16	500	120		
BDALHC-112-350	AWG 6 - 350 kcmil	AWG 14 - 4	1	12	310	5/16	SLOT	275	40		
BDALHC-212-500	AWG 4 - 500 kcmil	AWG 14 - 4	2	12	760	7/16	SLOT	500	40		
BDALHC-22-350	AWG 6 - 350 kcmil	AWG 6 - 350 kcmil	2	2	620	5/16	5/16	275	275		
BDALHC-22-500	AWG 4 - 500 kcmil	AWG 4 - 500 kcmil	2	2	760	7/16	7/16	500	500		
BDALHC-26-350	AWG 6 - 350 kcmil	AWG 14 - 2/0	2	6	620	5/16	3/16	275	120		
BDALHC-26-500	AWG 4 - 500 kcmil	AWG 14 - 2/0	2	3	760	7/16	3/16	500	120		
BDALHC-22-600	AWG 2 - 600 kcmil	AWG 2 - 600 kcmil	2	2	840	1/2	1/2	600	600		
BDALHC-24-500	AWG 4 - 500 kcmil	AWG 6 - 4/0	2	4	760	7/16	7/32	500	150		
BDAMHC-11-2/0	AWG 14 - 2/0	AWG 14 - 2/0	1	1	175	3/16	3/16	120	120	2	BDBMHCCOVER
BDAMHC-11-350	AWG 6 - 350 kcmil	AWG 6 - 350 kcmil	1	1	310	5/16	5/16	275	275		
BDAMHC-14-500	AWG 4 - 500 kcmil	AWG 4 - 500 kcmil	1	4	380	7/16	3/16	500	120		
BDAMHC-16-2/0	AWG 14 - 2/0	AWG 14 - 2	1	6	175	3/16	SLOT	120	50		
BDAMHC-22-2/0	AWG 14 - 2/0	AWG 14 - 2/0	2	2	350	3/16	3/16	120	120		
BDAMHC-26-2/0	AWG 14 - 2/0	AWG 14 - 2/0	2	6	350	3/16	SLOT	120	50		
BDAMHC-162-500	AWG 4 - 500 kcmil	AWG 14 - 2	1	6	380	7/16	SLOT	500	500		

REV	DATE	DESCRIPTION	ECO	BY	C'H.K.
C	11/01/2013	DRAWING RELEASED	33834	DD	RG

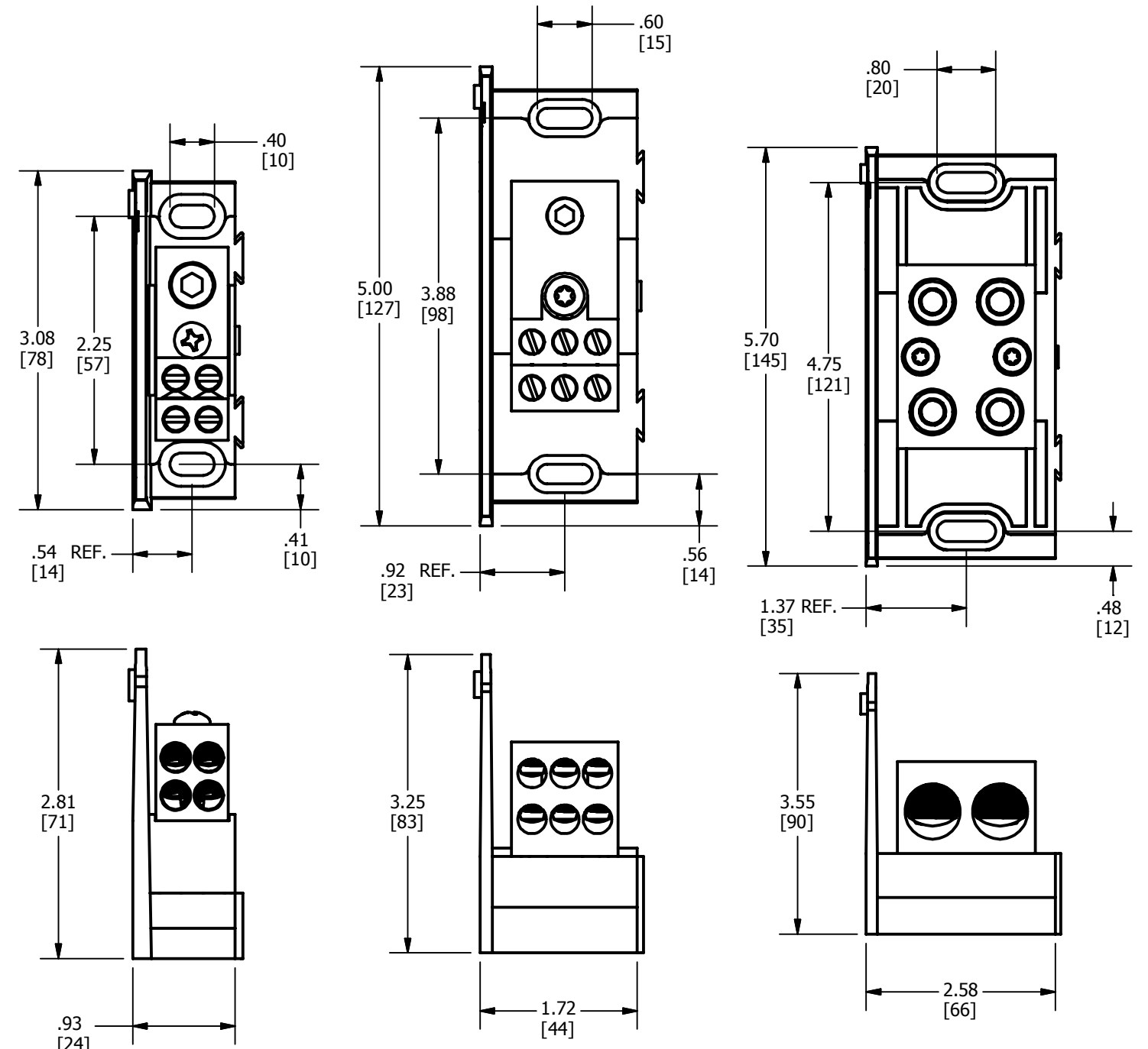


FIGURE 1

FIGURE 2

FIGURE 3

- NOTES:
- MATERIAL:
CONNECTOR BODY : HIGHLY CONDUCTIVE TIN-PLATED ALUMINUM.
INSULATOR : GLASS FILLED POLYCARBONATE.
 - UL LISTED TO UL1953, CSA CERTIFIED CLASS 6228, AND CLASS 3211. MEETS SPACING REQUIREMENTS FOR BRANCH AND FEEDER CIRCUITS, UL508A. RoHS COMPLIANT.
 - SCCR 100KA WITH PROPER FUSING.
 - OPTIONAL SAFETY COVER : POLYCARBONATE, 1 PER POLE ORDER SEPERATLY.
 - DIMENSIONS IN BRACKETS [] ARE IN MILLIMETERS ROUNDED OFF TO THE NEAREST MILLIMETER, UNLESS OTHERWISE SPECIFIED AND ARE FOR REFERENCE ONLY.

TO ORDER BURNDY PRODUCTS CALL		VERSI-POLE™	
UNITED STATES 1-800-346-4175 (LONDONDERRY, NH)		ITEM NO: N/A	
CANADA: 1-800-361-6975 (QUEBEC) 1-800-387-6487 (ALL OTHER PROVINCES)		CAT. NO: SEE TABLE	
FOR PRODUCT INFO: http://www.burndy.com		DRAWN BY: PARTHIBAN B 2/26/2013	
		CHECKER: T REYNOLDS 4/11/2013	
		DSN APRVL: T REYNOLDS 4/11/2013	
		MFG APRVL: --	
		QA APRVL: C KOWALCZYK 4/12/2013	
		MKT APRVL: P KEENAN 4/16/2013	
		PROD FAM: --	
		DRAWING NO	
		50020385	
		REV	
		C	