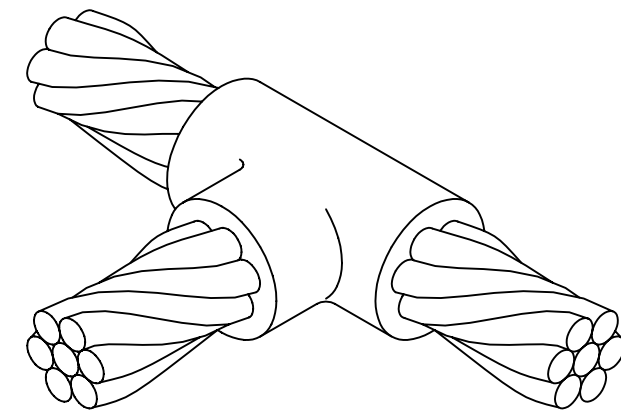
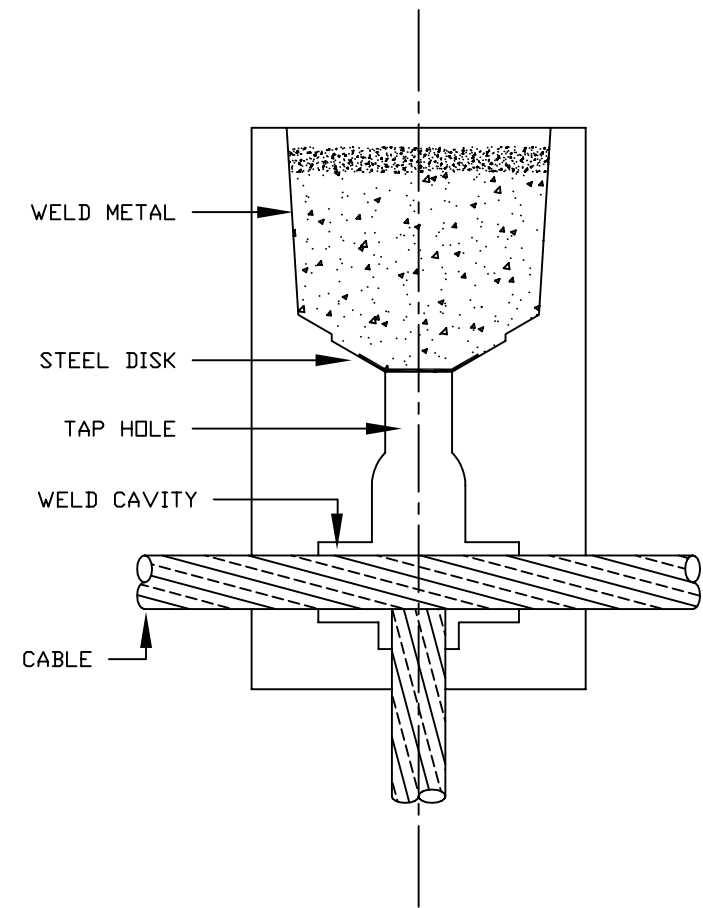


REV.	DATE	DESCRIPTION	ECO	BY	C'K'D.
A	12/8/04	DRAWING RELEASED.	10262	PL	DS

BURNDY MOLD CAT. NO.	BURNDY ITEM NUMBER	CABLE		WELD METAL	HANDLE CLAMPS
		RUN	TAP		
B-299	10047455	1000 kcmil	1000 kcmil	500	B-107
B-300	10047456	1000 kcmil	750 kcmil	500	B-107
B-301	10047457	1000 kcmil	500 kcmil	2-200	B-107
B-303	10047458	1000 kcmil	350 kcmil	250	B-106
B-304	10047459	1000 kcmil	300 kcmil	200	B-106
B-305	10047460	1000 kcmil	250 kcmil	200	B-106
B-306	10047461	1000 kcmil	4/0	150	B-106
B-307	10047462	1000 kcmil	2/0	150	B-106
B-308	10047463	1000 kcmil	1/0	150	B-106
B-309	10047369	1250 kcmil	1250 kcmil	3-250	B-107
B-310	10047370	1250 kcmil	1000 kcmil	500	B-107
B-311	10047371	1250 kcmil	750 kcmil	500	B-107
B-312	10047372	1250 kcmil	500 kcmil	2-200	B-107
B-314	10047373	1250 kcmil	350 kcmil	2-150	B-107
B-315	10047374	1250 kcmil	300 kcmil	250	B-106
B-316	10047375	1250 kcmil	250 kcmil	250	B-106
B-317	10047376	1250 kcmil	4/0	200	B-106
B-318	10047377	1250 kcmil	2/0	200	B-106
B-319	10047378	1250 kcmil	1/0	200	B-106
B-320	10047380	1500 kcmil	1500 kcmil	2-500	---
B-321	10047381	1500 kcmil	1250 kcmil	3-250	B-107
B-322	10047382	1500 kcmil	1000 kcmil	3-200	B-107
B-323	10047383	1500 kcmil	750 kcmil	3-200	B-107
B-324	10047384	1500 kcmil	500 kcmil	2-200	B-107
B-326	10047385	1500 kcmil	350 kcmil	2-150	B-107
B-327	10047386	1500 kcmil	300 kcmil	250	B-107
B-328	10047387	1500 kcmil	250 kcmil	250	B-107
B-329	10047388	1500 kcmil	4/0	250	B-107
B-330	10047389	1500 kcmil	2/0	250	B-107
B-331	10047390	1500 kcmil	1/0	250	B-107
B-332	10047395	1750 kcmil	1750 kcmil	2-250	B-107
B-333	10047396	1750 kcmil	1500 kcmil	2-500	B-107
B-334	10047397	1750 kcmil	1250 kcmil	3-250	B-107
B-335	10047398	1750 kcmil	1000 kcmil	3-250	B-107
B-336	10047399	1750 kcmil	750 kcmil	3-200	B-107
B-337	10047400	1750 kcmil	500 kcmil	2-200	B-107
B-339	10047401	1750 kcmil	350 kcmil	2-150	B-107
B-340	10047402	1750 kcmil	300 kcmil	250	B-107
B-341	10047403	1750 kcmil	250 kcmil	250	B-107
B-342	10047404	1750 kcmil	4/0	250	B-107
B-343	10047405	1750 kcmil	2/0	250	B-107
B-344	10047406	1750 kcmil	1/0	250	B-107
B-345	10047412	2000 kcmil	2000 kcmil	3-500	B-107
B-346	10047413	2000 kcmil	1750 kcmil	5-250	B-107
B-347	10047414	2000 kcmil	1500 kcmil	5-250	B-107
B-348	10047415	2000 kcmil	1250 kcmil	2-500	B-107
B-349	10047416	2000 kcmil	1000 kcmil	2-500	B-107
B-350	10047417	2000 kcmil	750 kcmil	3-200	B-107
B-351	10047418	2000 kcmil	500 kcmil	2-200	B-107
B-353	10047419	2000 kcmil	350 kcmil	2-150	B-107
B-354	10047420	2000 kcmil	300 kcmil	250	B-107
B-355	10047421	2000 kcmil	250 kcmil	250	B-107
B-356	10047422	2000 kcmil	4/0	250	B-107
B-357	10047423	2000 kcmil	2/0	250	B-107
B-358	10047424	2000 kcmil	1/0	250	B-107



**NOTES:**

- BCC-2 TYPE MOLDS ARE USED TO JOIN HORIZONTAL CABLE TAP TO A HORIZONTAL RUN CABLE.
- SIZE RANGE IS #6 THROUGH 750 kcmil SOLID OR CONCENTRIC STRANDED COPPER CONDUCTORS.
- MOLDS LISTED ARE FOR CONCENTRIC STRANDED CABLE. ADD SUFFIX "-S" TO MOLD NUMBER FOR SOLID CONNECTORS.
- FOR HEAVY DUTY MOLDS, MOLDS WITH WEAR PLATES OR MOLDS FOR COPPER WELD CABLE, CONTACT BURNDY® PRODUCTS.
- REQUIRED TOOLS: HANDLE CLAMPS (SEE TABLE ABOVE). FOR HANDLES SEE DRAWING 10051615.  
\*SOLD COMPLETE WITH HANDLES  
B38-0309-00 FLINT IGNITOR (DRAWING 10051616).
- OTHER RECOMMENDED ACCESSORIES: DRAWING 10051616  
B40-0319-01: MOLD CLEANER FOR CARTRIDGE SIZES #15 - #65  
B40-0319-03: MOLD CLEANER FOR CARTRIDGE SIZES #90 - #500  
B38-3922-00: MOLD CLEANING BRUSH  
B38-0135-00: CABLE CLEANING BRUSH  
B38-0330-00: CABLE CLAMP

TO ORDER BURNDY® PRODUCTS CALL		BURNDYweld™ HORIZONTAL CABLE TAP TO HORIZONTAL CABLE RUN	
UNITED STATES: 1-800-346-4175 (LONDONDERRY, NH)		ITEM NO: N/A	
CANADA: 1-800-361-6975 (QUEBEC) 1-800-387-6487 (ALL OTHER PROVINCES)		CAT NO: BCC-2 SERIES	
FOR PRODUCT INFO: <a href="http://www.burndy.com">http://www.burndy.com</a>		SCALE: N/A	
		DRAWN BY: P LAPONIUS 12/8/04	
		CHECKER: D SHIBILIA 1/3/05	
		DSN APPVL: D SHIBILIA 1/13/05	
		MFG APPVL: -- --	
		QC APPVL: J BRODEUR 1/14/05	
		MKT APPVL: R ROBICHEAU 1/18/05	
		PROJ FAMIL: --	
		PROJECT #: --	
		DOCUMENT TYPE: Sales	
		REL LEVEL: AutoCAD	
		DRAWING NO: 10044340	
		REV: A	
		SHEET 3 OF 3	