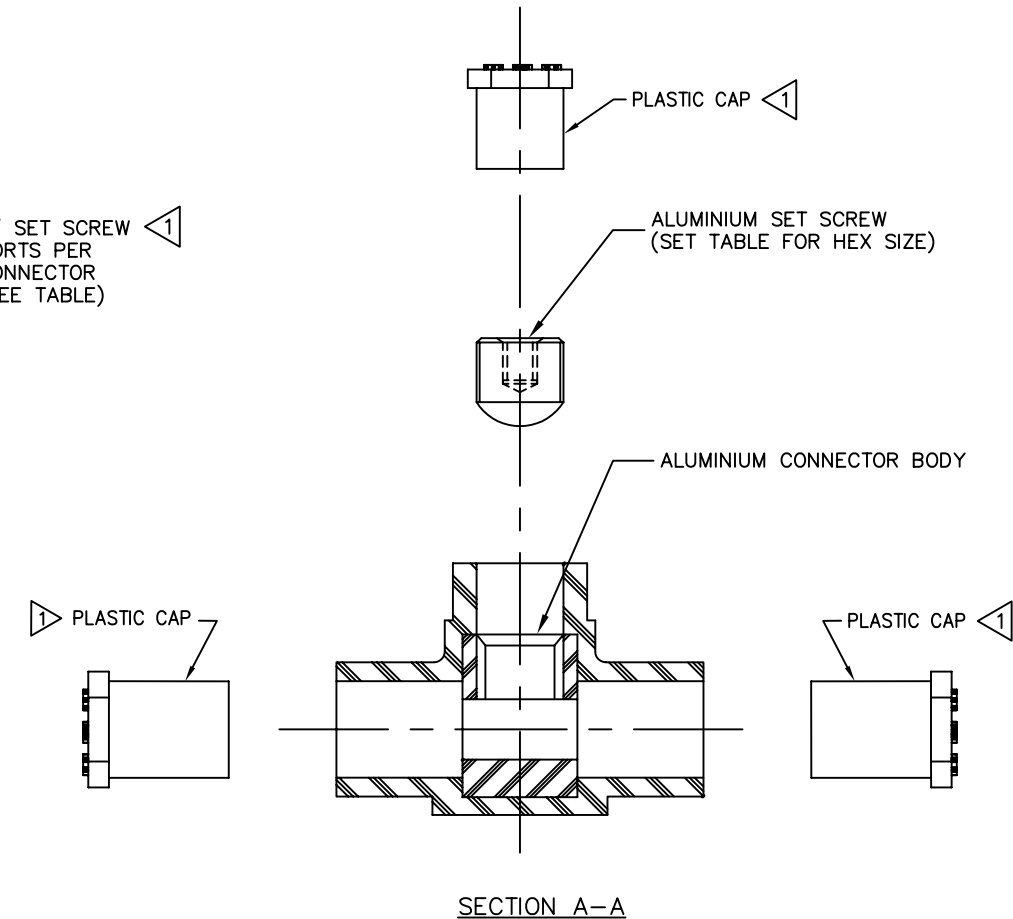
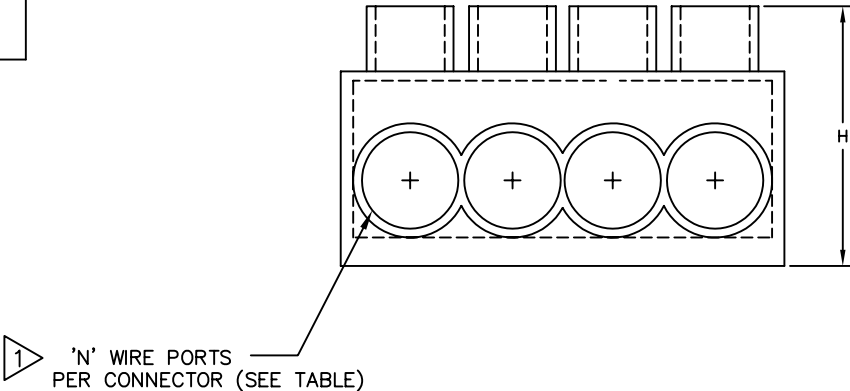
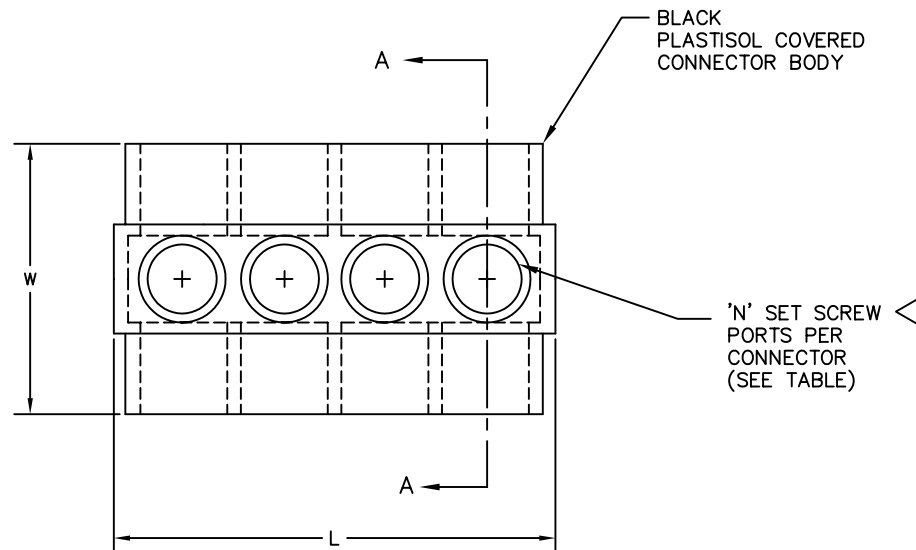


DRAWING NO.
SD214514

CATALOG NO.	WIRE RANGE (AWG/kcmil)	L	W	H	HEX KEY	N
1PLD750-2	#2-750	2.87 [73]	3.38 [86]	3.00 [76]	3/8	2
1PLD750-3	#2-750	4.25 [108]	3.38 [86]	3.00 [76]	3/8	3
1PLD750-4	#2-750	5.63 [143]	3.38 [86]	3.00 [76]	3/8	4
1PLD750-6	#2-750	8.37 [213]	3.38 [86]	3.00 [76]	3/8	6
1PLD750-8	#2-750	11.13 [283]	3.38 [86]	3.00 [76]	3/8	8
1PLD750-10	#2-750	13.87 [352]	3.38 [86]	3.00 [76]	3/8	10
1PLD750-12	#2-750	16.63 [422]	3.38 [86]	3.00 [76]	3/8	12

REV.	DATE	DESCRIPTION	ECO	BY	C'K'D.
B	10/25/06	MODIFIED TEXT NOTES & ADDED PLASTIC CAPS	13536	PL	DB

FEATURES	BENEFITS
PLASTISOL COVERED AL6061-T6 BODY	SAVES TIME, LOWERS INSTALLATION COSTS, ELIMINATES TAPING.
OXIDE-INHIBITOR IS PRE-INSTALLED	INHIBITS MOISTURE AND CONTAMINANTS FROM ENTERING THE CONTACT AREA
RANGE-TAKING	REDUCES THE NUMBER OF CONNECTORS CARRIED IN INVENTORY



NOTES:

- 1 END CAPS INSTALLED ON WIRE PORTS AND SET SCREW PORTS.
- 2 NOT UL LISTED.
- 3. DIMENSIONS IN BRACKETS [] ARE IN MILLIMETERS ROUNDED OFF TO THE NEAREST MILLIMETER, UNLESS OTHERWISE NOTED, AND ARE FOR REFERENCE ONLY.
- 4. UV RATED MATERIAL.

TO ORDER BURNDY® PRODUCTS CALL 1-800-346-4175
MANCHESTER, NH 03109, USA
FOR PRODUCT INFO = <http://www.fciconnect.com>

UV BLACK COVERED DISTRIBUTION CONNECTORS
ITEM NO: N/A
CAT NO: 1PLD750-SERIES

SCALE: N/A	4/24/02
DRAWN BY: D RAJKUMAR	5/23/02
CHECKER: K HENRY	3/6/02
DSN APPVL: G DITROIA	2/27/02
MFG APPVL: T BONINA	3/5/02
QC APPVL: J BRODEUR	2/27/02
MKT APPVL: A ZWIT	

BURNDY PRODUCTS

DRAWING NO	REV
SD214514	B
SHEET 7 OF 13	