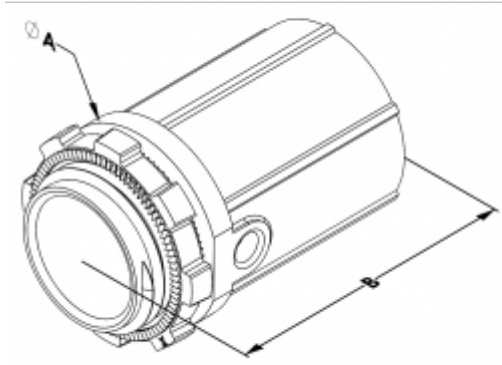


E-Z LOCK® AC/MC Snap Type Connector, 3/4"

Recommended cable types with Steel or Aluminum 8/3 to 6/2 AC/MC/MCI-A/HCF/MC-PCS Cable, or 1/2" Flexible Metal Conduit to box or enclosure (max)

[Download Photo](#)[Download Drawing](#)[Download Drawing](#)

Product details

Catalog Number:	592-DC2
UPC Number:	78174715592
Finish:	Ball Burnished, Mirror Smooth
Trade Size:	1/2"
Unit Quantity:	25
Standard Package Quantity:	100

Dimensions

Trade Size:	1/2"
Dimensions A:	1.200
Dimensions B:	1.819

Certifications & Codes

Federal Specification Number: A-A-50552

UNSPSC: 39121419

Nema Standard: FB-1

UL Standard: UL-514B