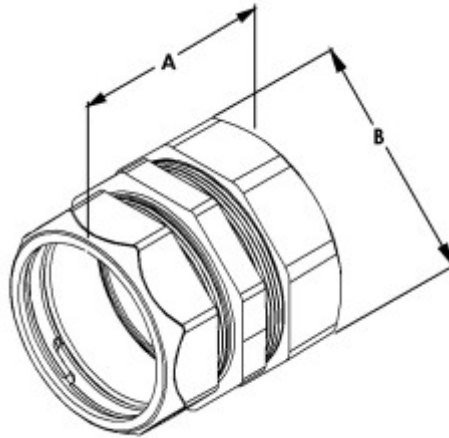


Compression Transition Coupling, Rigid/IMC to EMT, Zinc Die Cast, 2 Inch

When exiting concrete slab or foundation, or transitioning overhead from Rigid to EMT, the CDC fittings provide a convenient, labor-saving, low profile and listed solution. These items are also listed as Concrete-Tight.



[Download Photo](#)



[Download Drawing](#)



[Download Drawing](#)

Product details

Catalog Number:	295-CDC
UPC Number:	781747294295
Primary Materials:	Zinc Die Cast
Finish:	Ball Burnished
Trade Size:	2"
Unit Quantity:	2
Standard Package Quantity:	10

Dimensions

Trade Size:	2"
Dimensions A:	2.70
Dimensions B:	2.80

Certifications & Codes

UNSPSC: 39131707

Nema Standard: FB-1

UL Standard: CSA 22.2, UL-514B