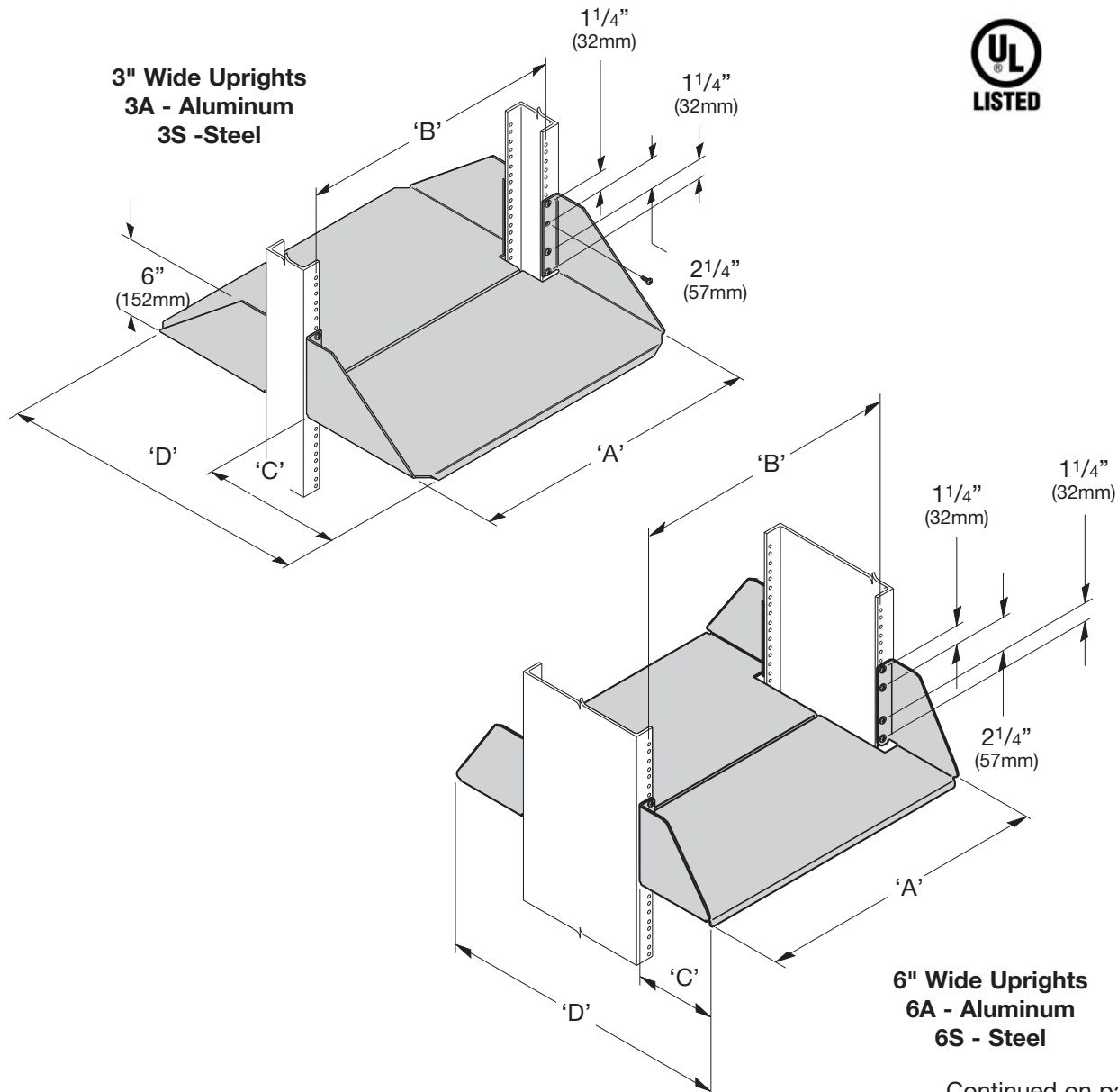


## Double Sided Rack Mounted Shelf Heavy Duty, Solid Shelf

- Use to support large monitors, CPU's or printers.
- Four (4) mounting spaces required.
- 200 Lbs. (91kg) load capacity (when used as shown).
- Includes: (2) shelves and #12-24 mounting hardware.
- UL 1863 Listed (File No. E171936) as a communications circuit accessory.
- Can be mounted individually or matched, front and rear, for larger shelf area.
- Material: 0.090 thick Aluminum sheet or 14 Gauge ASTM 569 Steel
- Finish \_\_\_\_: Aluminum - Brushed (AL)  
Aluminum & Steel - Telco Gray Powder Coat (TG), Flat Black Powder Coat (FB) or Silver Powder Coat (SL)  
Other finishes are available upon request.
- Ordering: Specify part number and finish abbreviation.



Continued on page 37.

# Network Equipment Racks & Accessories

## Double Sided Rack Mounted Shelf Heavy Duty, Solid Shelf

Part Number	Mat'l.	'A' Shelf Width		'B' Panel Mtg.		'C'		'D' Overall Depth		Weight	
		In.	(mm)	In.	(mm)	In.	(mm)	In.	(mm)	Lbs.	(kg)
<b>19" (482mm) Rack Width 3" (76mm) Wide Uprights</b>											
✓ SB596S19103A__	Alum	19 <sup>5</sup> / <sub>16</sub> "	(490)	18 <sup>5</sup> / <sub>16</sub> "	(465)	8 <sup>1</sup> / <sub>2</sub> "	(216)	20"	(508)	5.0	(2.2)
✓ SB596S19103S__	Steel	19 <sup>5</sup> / <sub>16</sub> "	(490)	18 <sup>5</sup> / <sub>16</sub> "	(465)	8 <sup>1</sup> / <sub>2</sub> "	(216)	20"	(508)	14.4	(6.5)
✓ SB596S19153A__	Alum	19 <sup>5</sup> / <sub>16</sub> "	(490)	18 <sup>5</sup> / <sub>16</sub> "	(465)	13 <sup>1</sup> / <sub>2</sub> "	(343)	30"	(762)	6.0	(2.7)
✓ SB596S19153S__	Steel	19 <sup>5</sup> / <sub>16</sub> "	(490)	18 <sup>5</sup> / <sub>16</sub> "	(465)	13 <sup>1</sup> / <sub>2</sub> "	(343)	30"	(762)	17.3	(7.8)
<b>19" (482mm) Rack Width 6" (152mm) Wide Uprights</b>											
SB596S19106A__	Alum	19 <sup>5</sup> / <sub>16</sub> "	(490)	18 <sup>5</sup> / <sub>16</sub> "	(465)	7"	(178)	20"	(508)	5.0	(2.2)
SB596S19106S__	Steel	19 <sup>5</sup> / <sub>16</sub> "	(490)	18 <sup>5</sup> / <sub>16</sub> "	(465)	7"	(178)	20"	(508)	14.4	(6.5)
SB596S19156A__	Alum	19 <sup>5</sup> / <sub>16</sub> "	(490)	18 <sup>5</sup> / <sub>16</sub> "	(465)	12"	(305)	30"	(762)	6.0	(2.7)
SB596S19156S__	Steel	19 <sup>5</sup> / <sub>16</sub> "	(490)	18 <sup>5</sup> / <sub>16</sub> "	(465)	12"	(305)	30"	(762)	17.3	(7.8)
<b>23" (584mm) Rack Width 3" (76mm) Wide Uprights</b>											
SB596S23103A__	Alum	23 <sup>5</sup> / <sub>16</sub> "	(643)	22 <sup>5</sup> / <sub>16</sub> "	(567)	8 <sup>1</sup> / <sub>2</sub> "	(216)	20"	(508)	5.2	(2.8)
SB596S23103S__	Steel	23 <sup>5</sup> / <sub>16</sub> "	(643)	22 <sup>5</sup> / <sub>16</sub> "	(567)	8 <sup>1</sup> / <sub>2</sub> "	(216)	20"	(508)	15.0	(6.8)
SB596S23153A__	Alum	23 <sup>5</sup> / <sub>16</sub> "	(643)	22 <sup>5</sup> / <sub>16</sub> "	(567)	13 <sup>1</sup> / <sub>2</sub> "	(343)	30"	(762)	7.2	(3.2)
SB596S23153S__	Steel	23 <sup>5</sup> / <sub>16</sub> "	(643)	22 <sup>5</sup> / <sub>16</sub> "	(567)	13 <sup>1</sup> / <sub>2</sub> "	(343)	30"	(762)	20.8	(9.4)
<b>23" (584mm) Rack Width 6" (152mm) Wide Uprights</b>											
SB596S23106A__	Alum	23 <sup>5</sup> / <sub>16</sub> "	(643)	22 <sup>5</sup> / <sub>16</sub> "	(567)	7"	(178)	20"	(508)	5.2	(2.8)
SB596S23106S__	Steel	23 <sup>5</sup> / <sub>16</sub> "	(643)	22 <sup>5</sup> / <sub>16</sub> "	(567)	7"	(178)	20"	(508)	15.0	(6.8)
SB596S23156A__	Alum	23 <sup>5</sup> / <sub>16</sub> "	(643)	22 <sup>5</sup> / <sub>16</sub> "	(567)	12"	(305)	30"	(762)	7.2	(3.2)
SB596S23156S__	Steel	23 <sup>5</sup> / <sub>16</sub> "	(643)	22 <sup>5</sup> / <sub>16</sub> "	(567)	12"	(305)	30"	(762)	20.8	(9.4)

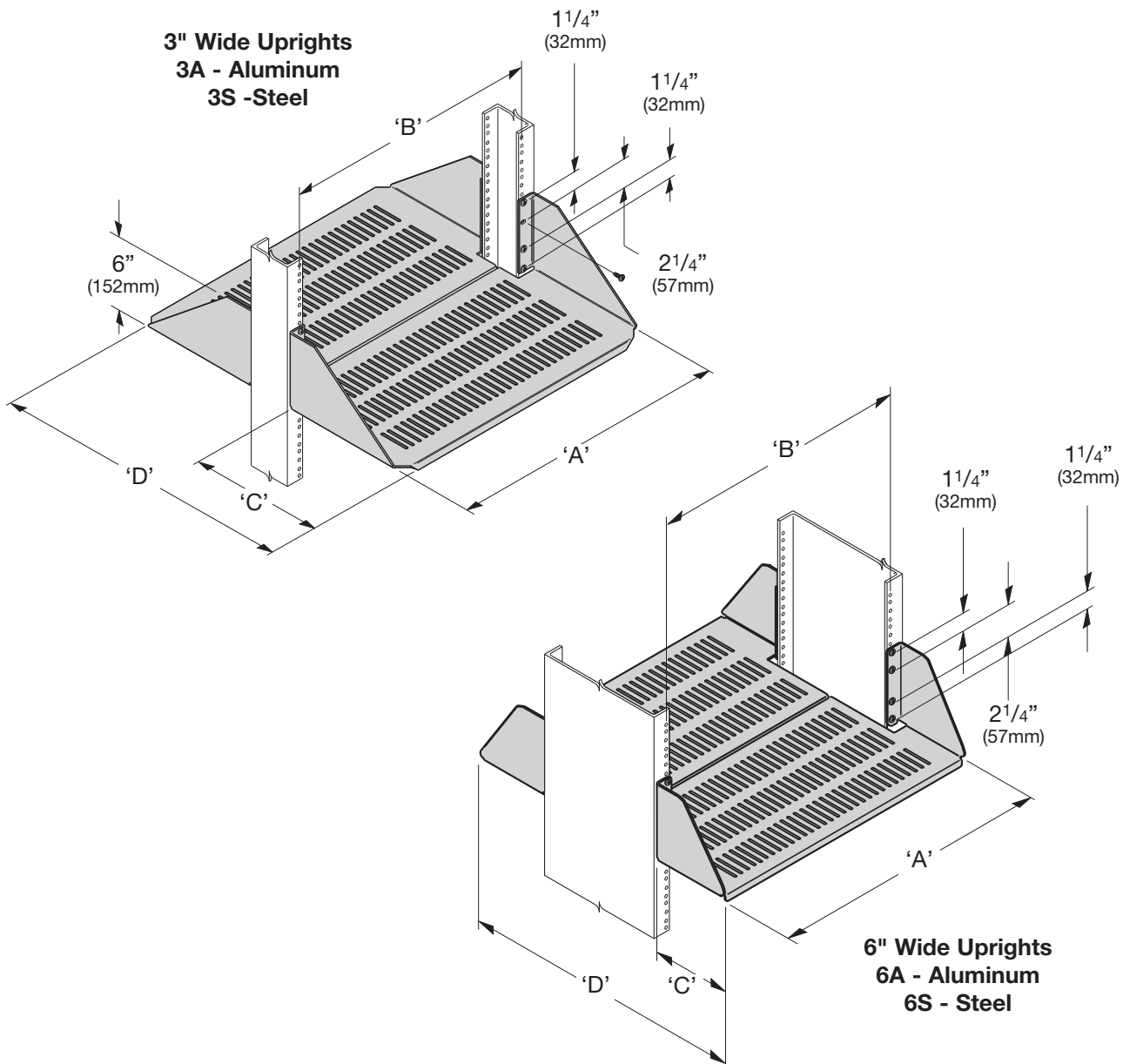
Finish \_\_: Aluminum - Brushed (AL)

Aluminum & Steel - Telco Gray Powder Coat (TG), Flat Black Powder Coat (FB) or Silver Powder Coat (SL)

✓ FB & AL are popular items

## Double Sided Rack Mounted Shelf Heavy Duty, Ventilated Shelf

- Use to support large monitors, CPU's or printers.
- Four (4) mounting spaces required.
- 200 Lbs. (91kg) load capacity (when used as shown).
- Includes: (2) shelves and #12-24 mounting hardware.
- Can be mounted individually or matched, front and rear, for larger shelf area.
- Material: 0.090 thick Aluminum sheet or 14 Gauge ASTM 569 Steel
- Finish \_\_\_\_ : Aluminum - Brushed (AL)  
Aluminum & Steel - Telco Gray Powder Coat (TG), Flat Black Powder Coat (FB) or Silver Powder Coat (SL)  
Other finishes are available upon request.
- Ordering: Specify part number and finish abbreviation.



Continued on page 39.

# Network Equipment Racks & Accessories

## Double Sided Rack Mounted Shelf Heavy Duty, Ventilated Shelf

Part Number	Mat'l.	'A' Shelf Width		'B' Panel Mtg.		'C'		'D' Overall Depth		Weight	
		In.	(mm)	In.	(mm)	In.	(mm)	In.	(mm)	Lbs.	(kg)
<b>19" (482mm) Rack Width 3" (76mm) Wide Uprights</b>											
✓ SB596V19103A__	Alum	19 <sup>5</sup> / <sub>16</sub> "	(490)	18 <sup>5</sup> / <sub>16</sub> "	(465)	8 <sup>1</sup> / <sub>2</sub> "	(216)	20"	(508)	4.6	(2.1)
SB596V19103S__	Steel	19 <sup>5</sup> / <sub>16</sub> "	(490)	18 <sup>5</sup> / <sub>16</sub> "	(465)	8 <sup>1</sup> / <sub>2</sub> "	(216)	20"	(508)	13.3	(6.0)
✓ SB596V19153A__	Alum	19 <sup>5</sup> / <sub>16</sub> "	(490)	18 <sup>5</sup> / <sub>16</sub> "	(465)	13 <sup>1</sup> / <sub>2</sub> "	(343)	30"	(762)	5.4	(2.4)
SB596V19153S__	Steel	19 <sup>5</sup> / <sub>16</sub> "	(490)	18 <sup>5</sup> / <sub>16</sub> "	(465)	13 <sup>1</sup> / <sub>2</sub> "	(343)	30"	(762)	15.6	(7.1)
<b>19" (482mm) Rack Width 6" (152mm) Wide Uprights</b>											
SB596V19106A__	Alum	19 <sup>5</sup> / <sub>16</sub> "	(490)	18 <sup>5</sup> / <sub>16</sub> "	(465)	7"	(178)	20"	(508)	4.6	(2.1)
SB596V19106S__	Steel	19 <sup>5</sup> / <sub>16</sub> "	(490)	18 <sup>5</sup> / <sub>16</sub> "	(465)	7"	(178)	20"	(508)	13.3	(6.0)
SB596V19156A__	Alum	19 <sup>5</sup> / <sub>16</sub> "	(490)	18 <sup>5</sup> / <sub>16</sub> "	(465)	12"	(305)	30"	(762)	5.4	(2.4)
SB596V19156S__	Steel	19 <sup>5</sup> / <sub>16</sub> "	(490)	18 <sup>5</sup> / <sub>16</sub> "	(465)	12"	(305)	30"	(762)	15.6	(7.1)
<b>23" (584mm) Rack Width 3" (76mm) Wide Uprights</b>											
SB596V23103A__	Alum	23 <sup>5</sup> / <sub>16</sub> "	(643)	22 <sup>5</sup> / <sub>16</sub> "	(567)	8 <sup>1</sup> / <sub>2</sub> "	(216)	20"	(508)	5.8	(2.6)
SB596V23103S__	Steel	23 <sup>5</sup> / <sub>16</sub> "	(643)	22 <sup>5</sup> / <sub>16</sub> "	(567)	8 <sup>1</sup> / <sub>2</sub> "	(216)	20"	(508)	16.8	(7.6)
SB596V23153A__	Alum	23 <sup>5</sup> / <sub>16</sub> "	(643)	22 <sup>5</sup> / <sub>16</sub> "	(567)	13 <sup>1</sup> / <sub>2</sub> "	(343)	30"	(762)	6.4	(2.9)
SB596V23153S__	Steel	23 <sup>5</sup> / <sub>16</sub> "	(643)	22 <sup>5</sup> / <sub>16</sub> "	(567)	13 <sup>1</sup> / <sub>2</sub> "	(343)	30"	(762)	18.5	(8.4)
<b>23" (584mm) Rack Width 6" (152mm) Wide Uprights</b>											
SB596V23106A__	Alum	23 <sup>5</sup> / <sub>16</sub> "	(643)	22 <sup>5</sup> / <sub>16</sub> "	(567)	7"	(178)	20"	(508)	5.8	(2.6)
SB596V23106S__	Steel	23 <sup>5</sup> / <sub>16</sub> "	(643)	22 <sup>5</sup> / <sub>16</sub> "	(567)	7"	(178)	20"	(508)	16.8	(7.6)
SB596V23156A__	Alum	23 <sup>5</sup> / <sub>16</sub> "	(643)	22 <sup>5</sup> / <sub>16</sub> "	(567)	12"	(305)	30"	(762)	6.4	(2.9)
SB596V23156S__	Steel	23 <sup>5</sup> / <sub>16</sub> "	(643)	22 <sup>5</sup> / <sub>16</sub> "	(567)	12"	(305)	30"	(762)	18.5	(8.4)

Finish \_\_: Aluminum - Brushed (AL)  
Aluminum & Steel - Telco Gray Powder Coat (TG), Flat Black Powder Coat (FB) or  
Silver Powder Coat (SL)

✓ FB are popular items