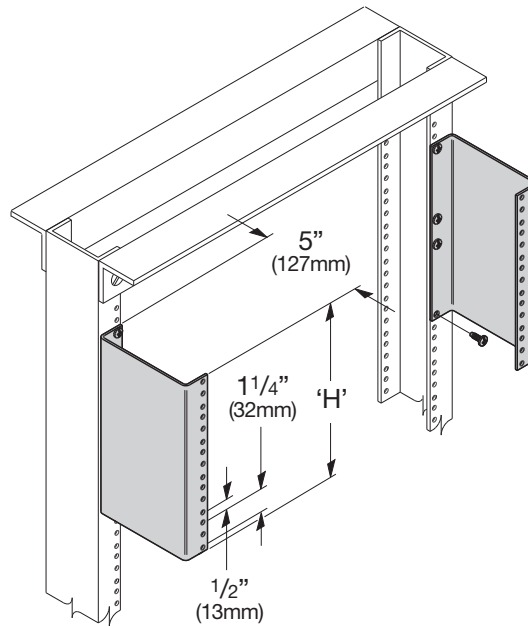


Network Equipment Rack Standoff Bracket

- Use to increase depth for oversized equipment.
- 5" (127mm) depth. (Other depths and heights are available upon request)
- Includes: (2) standoff brackets and #12-24 mounting hardware.
- Material: 11 Gauge (3.0mm) ASTM A569 steel.
- Finish___: Flat Black Powder Coat (FB),
Telco Gray Powder Coat (TG) or
Yellow Zinc (YZ)
Other finishes are available upon request.



Part Number	Height 'H'		Mounting Spaces Screws		Weight	
	In.	(mm)			Lbs.	(kg)
SB58501__	1 ¹¹ / ₁₆ "	(43)	1	4	0.8	(0.3)
SB58502__	3 ⁷ / ₁₆ "	(87)	2	4	1.6	(0.7)
SB58503__	5 ³ / ₁₆ "	(132)	3	6	2.4	(1.1)
SB58504__	6 ¹⁵ / ₁₆ "	(176)	4	8	3.2	(1.4)
SB58505__	8 ¹¹ / ₁₆ "	(220)	5	8	4.0	(1.8)
SB58506__	10 ⁷ / ₁₆ "	(265)	5	8	4.2	(1.9)
SB58507__	12 ³ / ₁₆ "	(309)	7	8	5.6	(2.5)
SB58508__	13 ¹⁵ / ₁₆ "	(354)	8	8	6.4	(2.9)
SB58510__	17 ⁷ / ₁₆ "	(443)	10	10	8.0	(3.6)
SB58520__	34 ¹⁵ / ₁₆ "	(887)	20	20	16.0	(7.2)
SB58530__	52 ⁷ / ₁₆ "	(1332)	30	30	24.0	(10.9)

Other heights and widths are available on request.