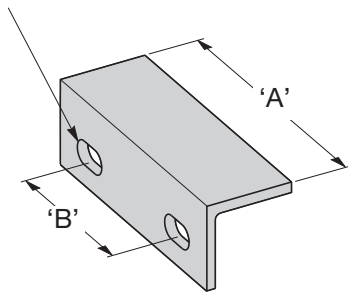


# Auxiliary Supports & Accessories

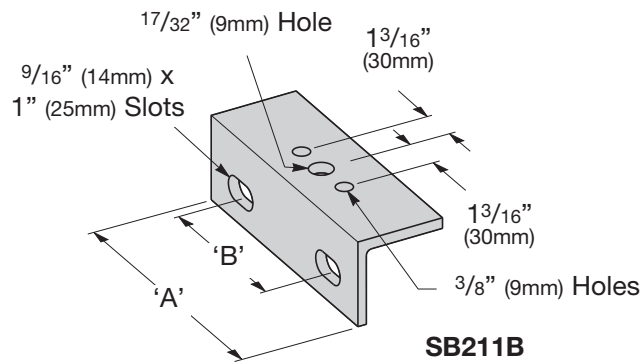
## Wall Bracket

- Use to attach auxiliary structure to wall.
- Material: 1/4" (6.3mm) X 2" (51mm) X 2" (51mm) ASTM A36 structural steel angle
- Finish\_\_\_: Yellow Zinc (YZ),  
Telco Gray Powder Coat (TG) or  
Flat Black Powder Coat (FB)

9/16" (14mm) X 1" (25mm) Slots



**SB211A**



**SB211B**

Part Number	'A'		'B'		Weight	
	in.	(mm)	in.	(mm)	Lbs.	(kg)
SB211A__	6"	(152)	4"	(101)	1.9	(0.86)
SB211B__	6"	(152)	4"	(101)	1.9	(0.86)