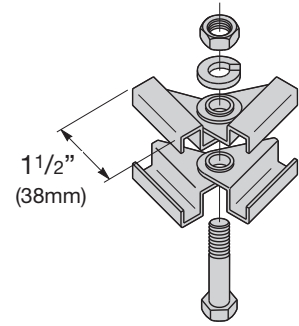
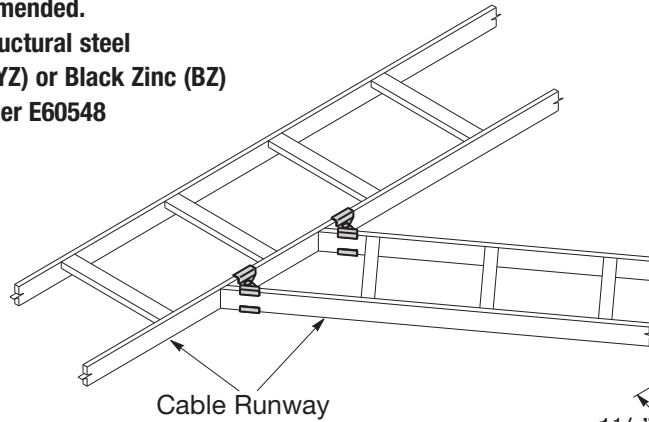
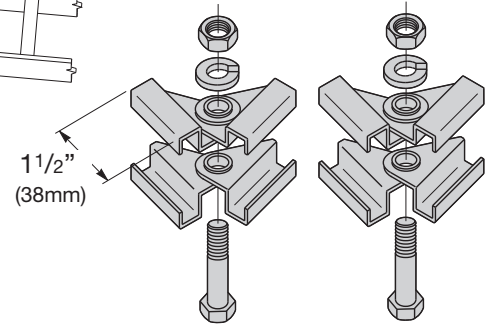


## Runway Adjustable Junction Splice Clamp

- Use to connect cable runway stringers at angles from 0° to 90°.
- SB167 includes one (1) clamp and hardware as shown.
- SB2103A kit includes two (2) clamps and hardware as shown.
- Runway mitering recommended.
- Material: ASTM A570 structural steel
- Finish\_\_\_: Yellow Zinc (YZ) or Black Zinc (BZ)
- UL Classified - file number E60548



**SB167**



**SB2103A**

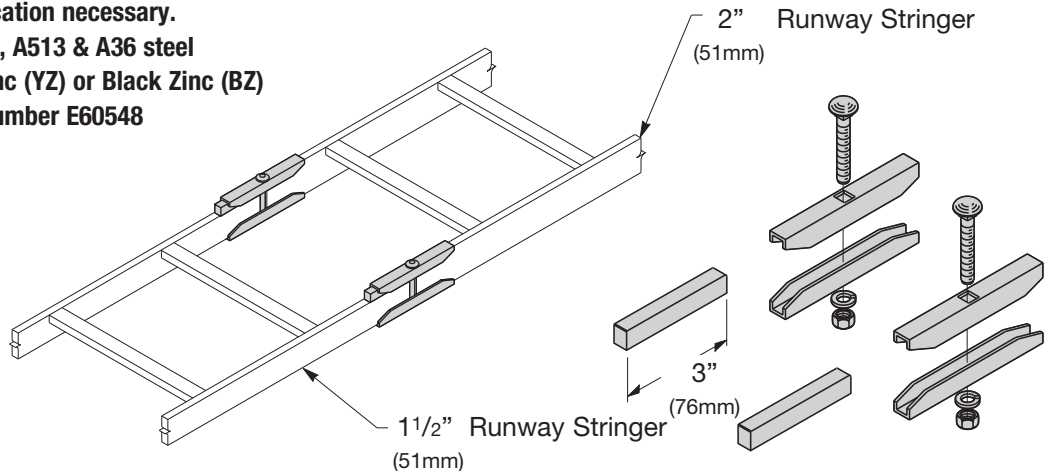
Part Number	Runway Height		Weight	
	In.	(mm)	Lbs.	(kg)
SB167	1 1/2"	(38)	0.35	(.16)

Part Number	Runway Height		Weight	
	In.	(mm)	Lbs.	(kg)
SB2103A	1 1/2"	(38)	0.70	(.34)



## Runway Stringer Reducer Butt-Splice Kit

- Use to connect 1 1/2" (38mm) runway stringer to 2" (51mm) runway stringer.
- Includes: (2) 2" (51mm) clamps with hardware and (2) reducer bars.
- No drilling or modification necessary.
- Material: ASTM A570, A513 & A36 steel
- Finish\_\_\_: Yellow Zinc (YZ) or Black Zinc (BZ)
- UL Classified - file number E60548



Part Number	Weight	
	Lbs.	(kg)
SB2108A	1.25	(0.57)



✓ BZ & YZ are popular items