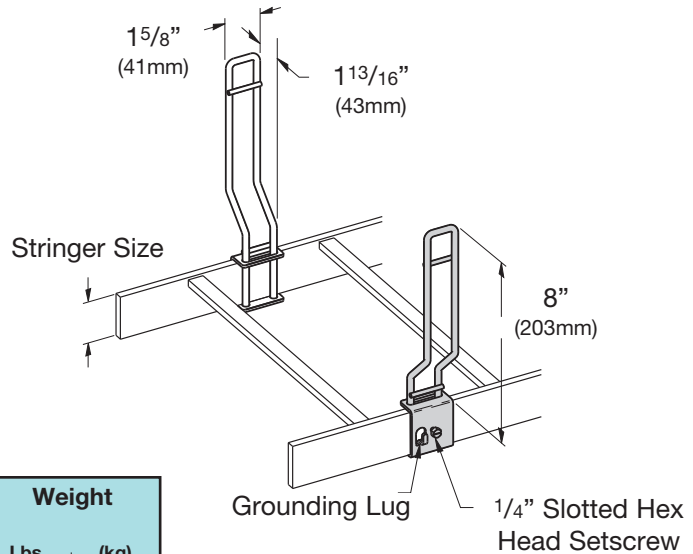


## Offset Cable Horn - Stringer Mounted

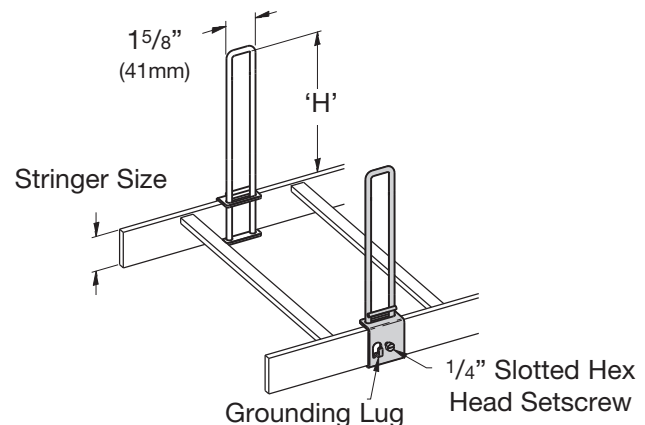
- Designed as a stringer extension to help retain cables in the runway.
- Grounding lugs included on retainer clip for quick and easy grounding.
- Includes: (1) offset cable horn and (1) runway stringer retainer clip.
- Material: cable horn - ASTM A510 steel  
retainer clip - ASTM A607 Grade 50
- Finish\_\_\_: Yellow Zinc (YZ) or Black Zinc (BZ)



Part Number	Stringer Size		Weight	
	In.	(mm)	Lbs.	(kg)
SB13011/2___	3/8" x 1 1/2"	(9 x 38)	.61	(0.27)

## Straight Cable Horn - Stringer Mounted

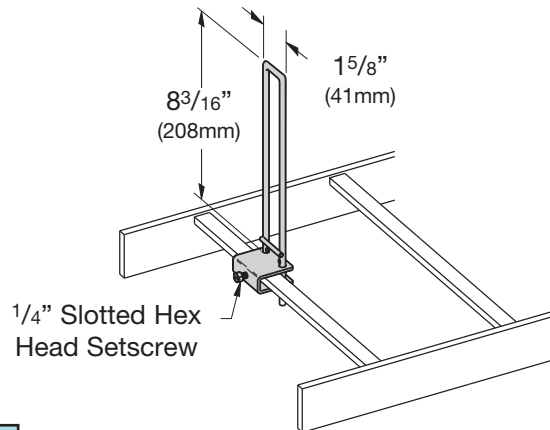
- Designed as a stringer extension to help retain cables in the runway.
- Grounding lugs included on retainer clip for quick and easy grounding.
- Includes: (1) straight cable horn and (1) runway stringer retainer clip.
- Material: cable horn - ASTM A510 steel  
retainer clip - ASTM A607 Grade 50
- Finish\_\_\_: Yellow Zinc (YZ) or Black Zinc (BZ)



Part Number	Stringer Size		'H'		Weight	
	In.	(mm)	In.	(mm)	Lbs.	(kg)
SB131811/2___	3/8" x 1 1/2"	(9 x 38)	8"	(203)	.58	(0.26)
SB1311411/2___	3/8" x 1 1/2"	(9 x 38)	14"	(355)	.72	(0.32)

## Cable Horn - Rung Mounted

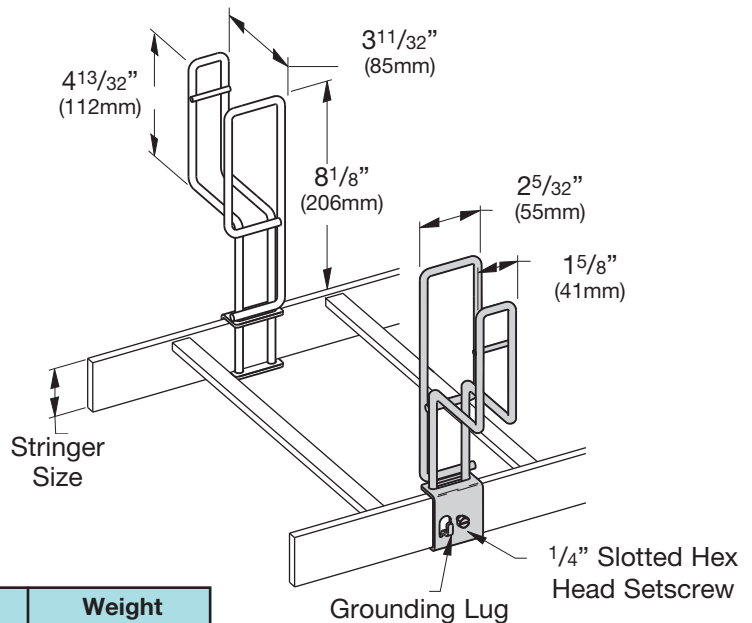
- Designed as a separator between cables in the runway.
- Grounding lugs included on retainer clip for quick and easy grounding.
- For use with SB17 and SB17T Series runway only.
- Includes: (1) straight cable horn and (1) runway rung retainer clip.
- Material: cable horn - ASTM A510  
retainer clip - ASTM A607 Grade 50
- Finish\_\_\_: Yellow Zinc (YZ) or  
Black Zinc (BZ)



Part Number	Weight	
	Lbs.	(kg)
SB1328___	.67	(0.30)

## Overhead Power Cable Support

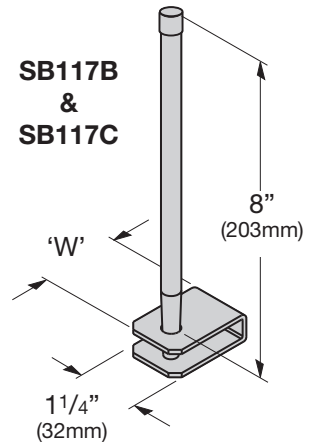
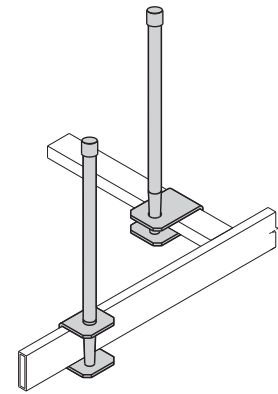
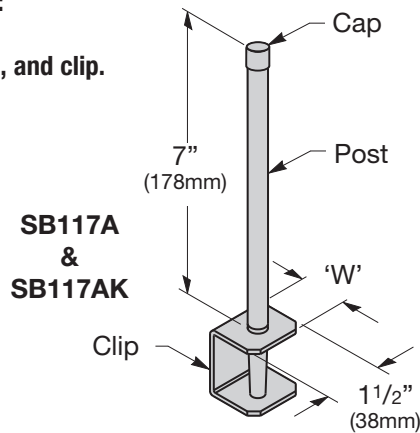
- Designed as a stringer extension to help retain cables in the runway.
- Includes a upper compartment for additional cabling space.
- Grounding lugs included on retainer clip for quick and easy grounding.
- Includes: (1) straight cable horn with bracket and (1) runway stringer retainer clip.
- Material: cable horn - ASTM A510  
retainer clip - ASTM A607 Grade 50
- Finish\_\_\_: Yellow Zinc (YZ) or  
Black Zinc (BZ)



Part Number	Stringer Size		Weight	
	In.	(mm)	Lbs.	(kg)
SB1341 1/2___	3/8" x 1 1/2"	(9 x 38)	.77	(0.35)

## Cable Retaining Post

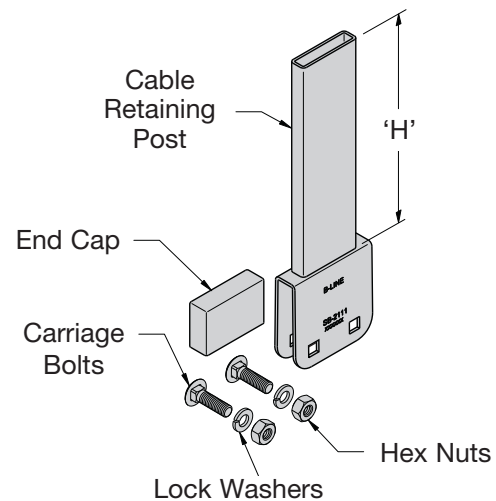
- Use to increase cable capacity fill of runway.
- Self wedging design locks post on runway.
- SB117A, SB117B, and SB117C includes: (1 each) post, plug, and clip.
- SB117AK includes: (14 each) post, plug, and clip.
- Material: ASTM A569 and A513 steel
- Finish\_\_\_: Yellow Zinc (YZ), Black Zinc (BZ) or



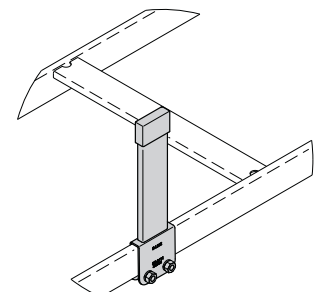
Part Number	'W'		Fits	Qty.	Weight	
	In.	(mm)			Lbs.	(kg)
✓ SB117A	15/16"	(49)	3/8" x 1 1/2" (9mm x 38mm) Runway	1	0.35	(0.15)
SB117AK	15/16"	(49)	3/8" x 1 1/2" (9mm x 38mm) Runway	14	4.90	(2.22)
SB117B	15/16"	(49)	1/2" x 1" (12mm x 25mm) Rung	1	0.35	(0.15)
SB117C	27/16"	(62)	3/8" x 1 1/2" (9mm x 38mm) Rung	1	0.35	(0.15)

## Cable Retaining Post

- Use to increase cable capacity fill of runway.
- Mounts directly to cable runway stringers.
- Made from a 1 1/2" x 3/8" (38mm x 9mm) tubular steel post welded to a stringer mounting bracket.
- Kits include: (1) cable retaining post, 1/4" mounting hardware, and neoprene end cap.
- Available in three (3) heights
- Finish\_\_\_: Yellow Zinc (YZ), Flat Black (FB) or Telco Gray Powder Coat (TG)



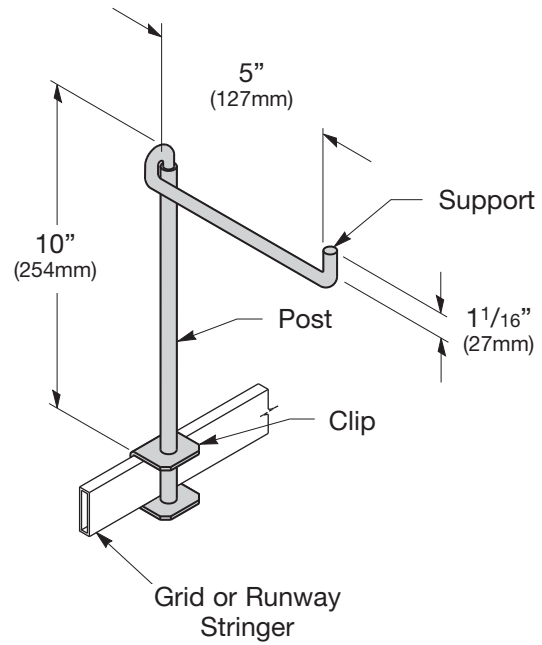
Part Number	'H' Height		Fits	Weight	
	In.	(mm)		Lbs.	(kg)
SB12606	6"	(152)	3/8" x 1 1/2" (9mm x 38mm) Stringer	0.68	(0.31)
SB12608	8"	(203)	3/8" x 1 1/2" (9mm x 38mm) Stringer	0.78	(0.35)
SB12610	10"	(254)	3/8" x 1 1/2" (9mm x 38mm) Stringer	0.90	(0.41)



✓ FB & YZ are popular items

## Overhead Power Cable Support

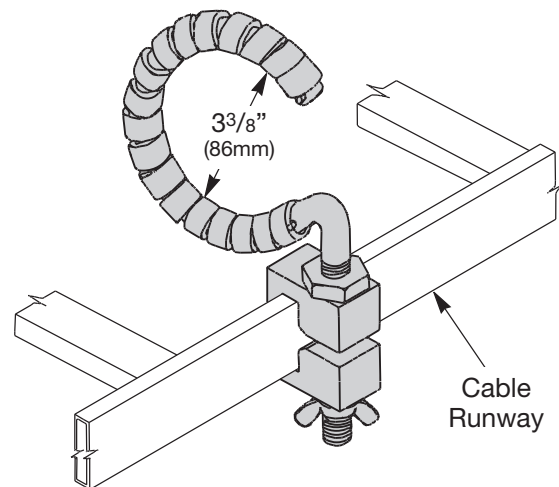
- Use to support power cable above cable runway.
- Self wedging design locks post on runway.
- Includes: (1 each) post, clip, and support wire.
- Material: ASTM A570, A513 and alloy steel wire
- Finish\_\_\_: Yellow Zinc (YZ) or Black Zinc (BZ)



Part Number	Runway Height		Weight	
	In.	(mm)	Lbs.	(kg)
SB122___	1 1/2"	(38)	0.8	(0.36)

## Cable Guide - Roller Type

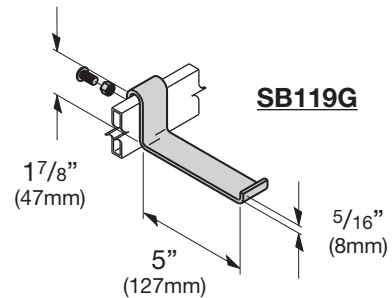
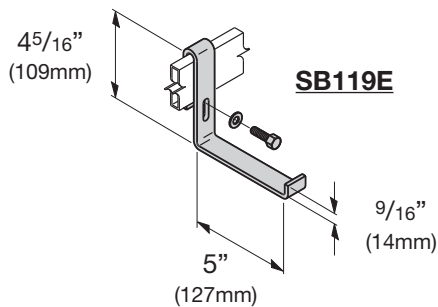
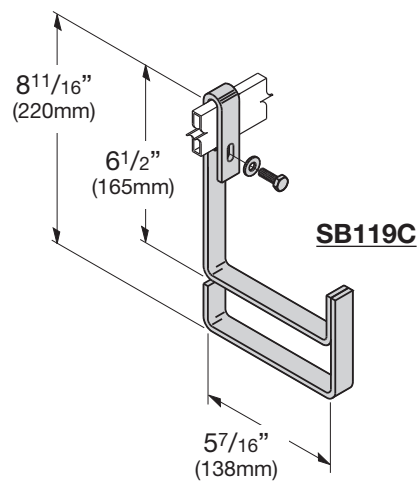
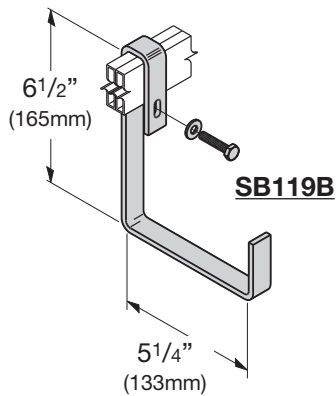
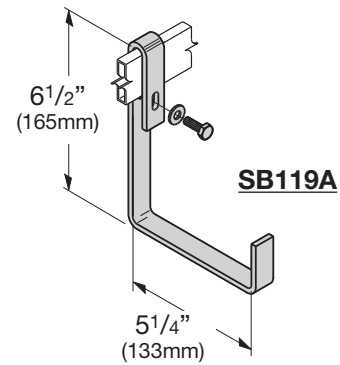
- Designed for use as a guide when pulling cables into place.
- Used with cable runways and cable grids.
- Adjustable for either 3/8" (9mm) x 1 1/2" (38mm) or 2" (51mm) stringers.
- Material: Aluminum clamp and rings with steel nuts.



Part Number	Weight	
	Lbs.	(kg)
SB116	2.0	(0.91)

## Power Cable Supports

- Use to support power cable under cable runway.
- Use with 1 1/2" (38mm) or 2" (51mm) stringers.
- Designed for cable runway stringers.
- Attachment hardware included.
- Material: ASTM A36 structural steel
- Finish\_\_\_: Yellow Zinc (YZ), Flat Black Powder Coat (FB) or Telco Gray Powder Coat (TG)



Part Number	Stringer Style	Material Thickness		Weight	
		In.	(mm)	Lbs.	(kg)
✓ SB119A___	Single	3/16" x 1 1/4"	(4.7 x 32)	0.69	(0.31)
SB119B___	Dual	3/16" x 1 1/4"	(4.7 x 32)	0.71	(0.32)
✓ SB119C___	Single	3/16" x 1 1/4"	(4.7 x 32)	1.14	(0.51)
✓ SB119E___	Single	3/16" x 1 1/4"	(4.7 x 32)	0.73	(0.33)
✓ SB119G___	Single	1/8" x 1"	(3 x 25)	0.34	(0.15)

✓ FB & YZ are popular items