

Operator Enclosures

Pushbutton Enclosures Type 12 Hinge Cover - 30.5 mm With Panel Data and Illustration Sheet



Application

- Designed to mount standard 30.5 mm oil-tight pushbuttons, pilot lights and switches
- Protects against circulating dust, falling dirt and dripping non-corrosive liquid

Standards

- UL 508A listed, Type 12 and Type 13
- CSA C22.2 No.94 certified, Type 12 and Type 13
- Conforms to NEMA standard for Type 12 and Type 13

Finish

- Wash and phosphate undercoat
- ANSI 61 gray polyester powder finish
- Panels have white enamel finish

Accessories

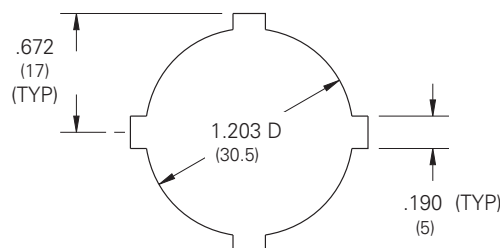
- Hole seals
- Columns and bases
- Touch-up paint
- See accessories section

Construction

- Enclosure and cover are fabricated from (14) gauge steel
- All continuous welded seams are finished smooth
- Cover is secured to the body with a continuous hinge on one side and captive screws which thread into sealed well nuts on the opposite side
- Cover has a fixed oil-resistant gasket
- Weldnut in body of enclosure for grounding
- Cover is pre-punched with standard 30.5 mm "4-way" pushbutton holes
- Heavy gauge panel mounted to weldnuts is provided with enclosure
- External mounting feet are provided for secure wall mounting

Discount Schedule: C2

Subclass: DP0

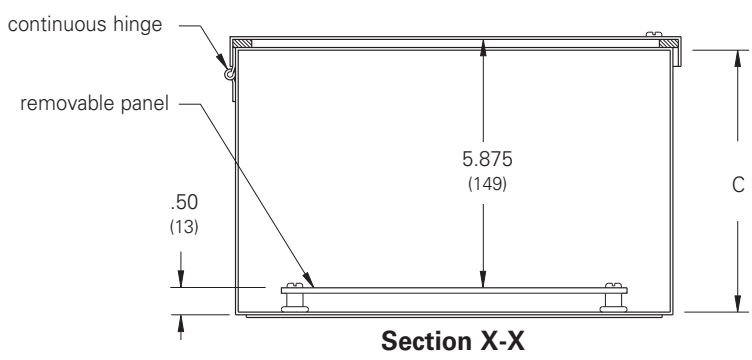
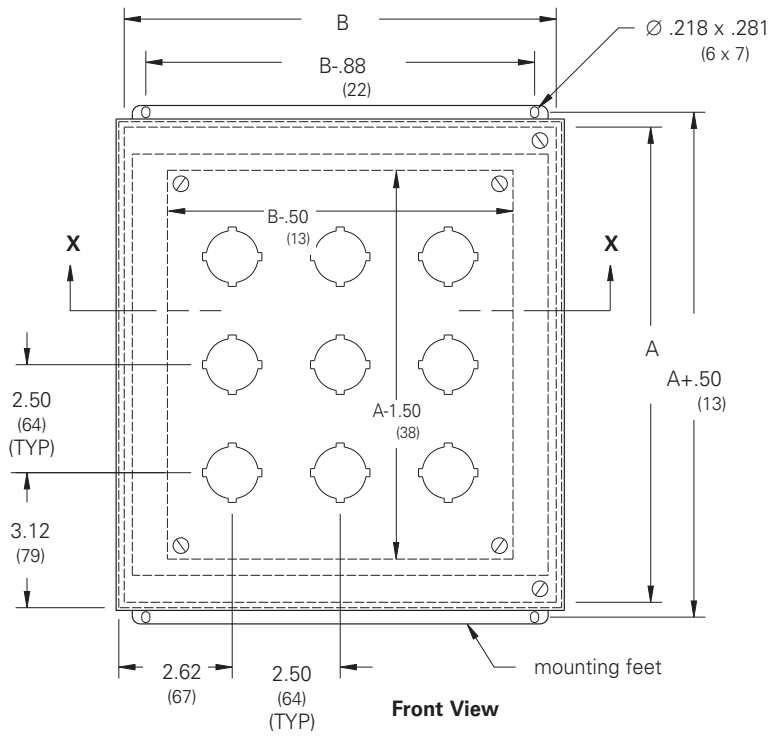
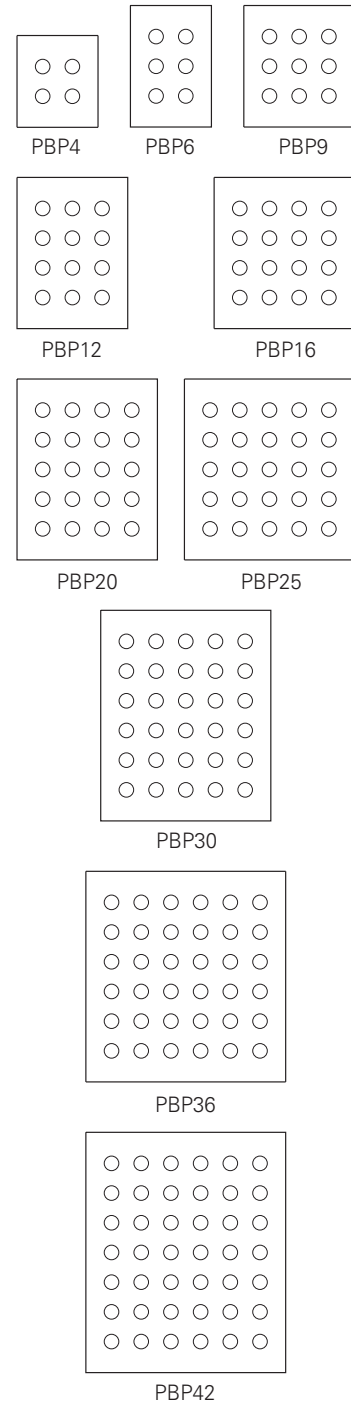


Standard 4-Way

Notes: We can provide special sizes, finishes and other holes and cutouts, see page 352. Consult the factory for your special requirements.

Pushbutton Enclosures Type 12 Hinge Cover - 30.5 mm With Panel Illustration Sheet and Catalog Number

| Enclosure Catalog Number | Holes | Enclosure Size | | Panel Size | | | |
|-----------------------------|-------|-------------------------------------|-----------------|----------------|-----|-------|-----|
| | | Height x Width x Depth A x B x C | | Height x Width | | | |
| | | in. | mm | in. | mm | in. | mm |
| PBP4 | 4 | 8.50 x 7.50 x 6.00 | 216 x 191 x 152 | 6.50 | 35 | 5.50 | 140 |
| PBP6 | 6 | 11.00 x 7.50 x 6.00 | 279 x 191 x 152 | 9.00 | 229 | 5.50 | 140 |
| PBP9 | 9 | 11.00 x 10.00 x 6.00 | 279 x 254 x 152 | 9.00 | 229 | 8.00 | 203 |
| PBP12 | 12 | 13.50 x 10.00 x 6.00 | 343 x 254 x 152 | 11.50 | 292 | 8.00 | 203 |
| PBP16 | 16 | 13.50 x 12.50 x 6.00 | 343 x 318 x 152 | 11.50 | 292 | 10.50 | 267 |
| PBP20 | 20 | 16.00 x 12.50 x 6.00 | 406 x 318 x 152 | 14.00 | 356 | 10.50 | 267 |
| PBP25 | 25 | 16.00 x 15.00 x 6.00 | 406 x 381 x 152 | 14.00 | 356 | 13.00 | 330 |
| PBP30 | 30 | 18.50 x 15.00 x 6.00 | 470 x 381 x 152 | 16.50 | 419 | 13.00 | 330 |
| PBP36 | 36 | 18.50 x 17.50 x 6.00 | 470 x 445 x 152 | 16.50 | 419 | 15.50 | 394 |
| PBP42 | 42 | 21.00 x 17.50 x 6.00 | 533 x 445 x 152 | 19.00 | 483 | 15.50 | 394 |



Cover Hole Layout

Notes: Dimensions are in inches. Millimeters shown are for reference only. Data subject to change without notice.

Operator Enclosures