

Accessories

Bolt-On Accessories

Illustration Sheet and Catalog Number

Louver Plate Kits

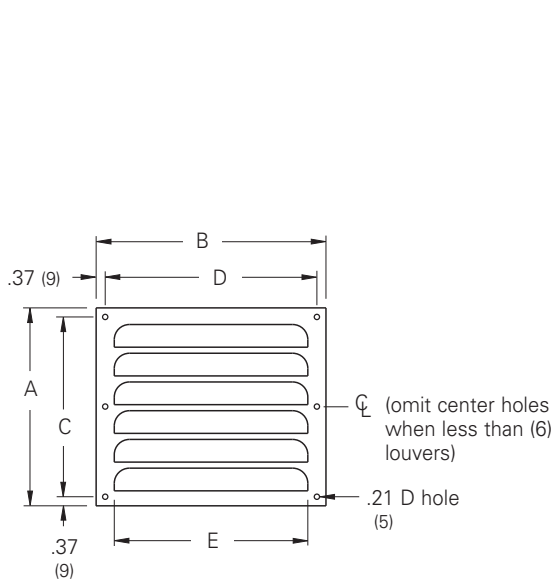


Excellent for providing ventilation in enclosures where external conditions or internal components may cause excessive amount of heat or moisture. Designed to be used with B-Line series Filter Kits using the same cut-out and mounting hole configurations. Louver Plate Kits include all of the necessary hardware and instructions for field installation. Plates are constructed from 16 gauge steel and have an ANSI 61 gray polyester powder finish.

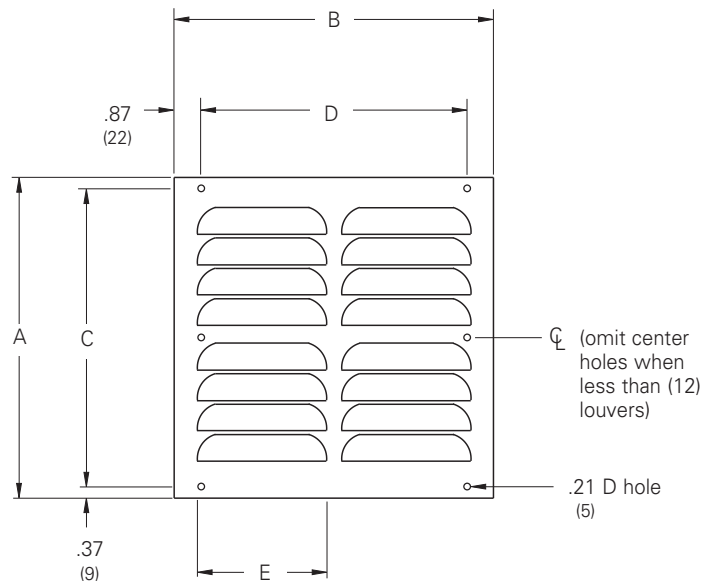
Discount Schedule: C2

Subclass: DSO

Louver Plate Kit Catalog Number	Louver Plate Size				Louver Plate Detail								Enclosure Cut-Out				Area Opening (sq.in.)	
	A		B		C		D		E		Depth		Quantity	Height		Width		
	in.	mm	in.	mm	in.	mm	in.	mm	in.	mm	in.	mm		in.	mm	in.	mm	
LPK23	3.25	83	3.25	83	2.50	64	2.50	64	2.00	51	.25	6	3	2.12	54	2.12	54	1.10
LPK33	3.87	98	4.50	114	3.12	79	3.75	95	3.00	76	.25	6	3	2.50	64	3.12	79	1.68
LPK34	4.75	121	4.50	114	4.00	102	3.75	95	3.00	76	.25	6	4	3.37	86	3.12	79	2.20
LPK43	4.50	114	5.50	140	3.75	95	4.75	121	4.25	121	.25	6	3	3.00	76	4.12	105	2.30
LPK44	5.62	143	5.50	140	4.87	124	4.75	121	4.25	121	.25	6	4	4.00	102	4.12	105	3.10
LPK64	5.62	143	7.50	191	4.87	124	6.75	171	5.50	140	.25	6	4	4.25	121	6.12	155	4.10
LPK66	7.87	200	7.50	191	7.12	181	6.75	171	5.50	140	.25	6	6	6.50	165	6.12	155	6.10
LPK84	5.81	148	10.50	267	5.06	129	8.75	222	4.25	108	.25	6	8	4.25	121	8.12	206	6.30
LPK86	8.19	208	10.50	267	7.44	189	8.75	222	4.25	108	.25	6	12	6.50	165	8.12	206	9.50
LPK88	10.56	268	10.50	267	9.81	249	8.75	222	4.25	108	.25	6	16	8.75	222	8.12	206	12.70
LPK812	15.31	389	10.50	267	14.56	370	8.75	222	4.25	108	.25	6	24	13.25	337	8.12	206	19.00



**LPK23 to LPK66
Typical**



**LPK84 to LPK812
Typical**

Notes: Dimensions are in inches. Millimeters shown are for reference only. Data subject to change without notice.