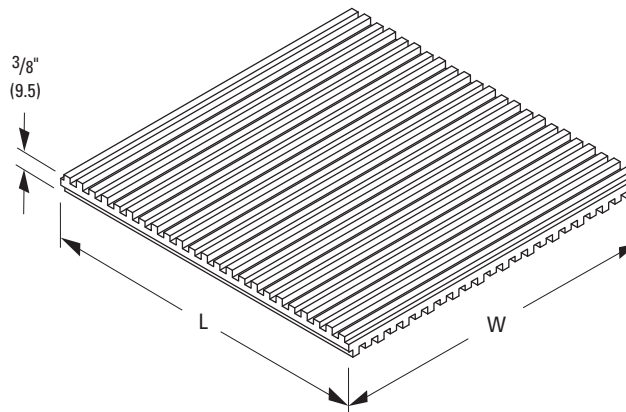


NNP Type - Ribbed Neoprene Vibration Pad

Use: Is used under equipment to dampen noise and vibration in floor caused by medium and high speed equipment.

- Recommended load capacity:
Up to 50 lbs./sq.in. (0.042 kgf/mm²) with a range of
25-70 lbs./sq.in. (0.021-0.059 kgf/mm²)
- Thickness: 3/8" (9.5mm)
- The NNP type has a deflection of 1/8" (3.1mm).
For greater deflection, use multiple pads in layers
- Non-skid: The pad has an alternating height rib pattern to minimize slip
- Durable: Material is oil-resistant Neoprene
- Typical Applications: Air conditioners, cooling towers, compressors, fans, generators, pumps, piping, process equipment, transformers, etc.



Part No.	Rated Load		Dimensions		Std. Pkg.	Wt. Each	
	Lbs.	(kN)	L in. (mm)	W in. (mm)		Lbs.	(kg)
NNP-4	200	(.89)	2" (50.8)	2" (50.8)	48	.04	(.02)
NNP-9	450	(2.00)	3" (76.2)	3" (76.2)	36	.10	(.05)
NNP-16	800	(3.56)	4" (101.6)	4" (101.6)	24	.17	(.08)
NNP-36	1800	(8.00)	6" (152.4)	6" (152.4)	24	.39	(.18)
NNP-81	4050	(18.01)	9" (228.6)	9" (228.6)	Bulk	.87	(.39)
NNP-324	16200	(72.06)	18" (457.2)	18" (457.2)	6	3.50	(1.59)

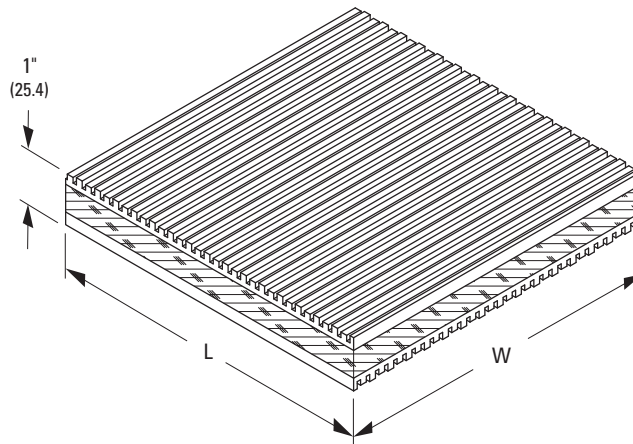
All dimensions in charts and on drawings are in inches. Dimensions shown in parentheses are in millimeters unless otherwise specified.

Vibration Isolation

CNP Type - Cork and Ribbed Neoprene Vibration Pad

Use: Is used under equipment to dampen noise and vibration in floor caused by medium and high speed equipment.

- Recommended load capacity:
Up to 50 lbs./sq.in. (0.042 kgf/mm²) with a range of
25-70 lbs./sq.in. (0.021-0.059 kgf/mm²)
- Thickness: 1" (25.4mm)
- The NNP type has a deflection of 3/16" (4.7mm).
For greater deflection, use multiple pads in layers
- Non-skid: The pad has an alternating height rib pattern to minimize slip
- Durable: Material is oil-resistant Neoprene
- Typical Applications: Air conditioners, cooling towers, compressors, fans, generators, pumps, piping, process equipment, transformers, etc.



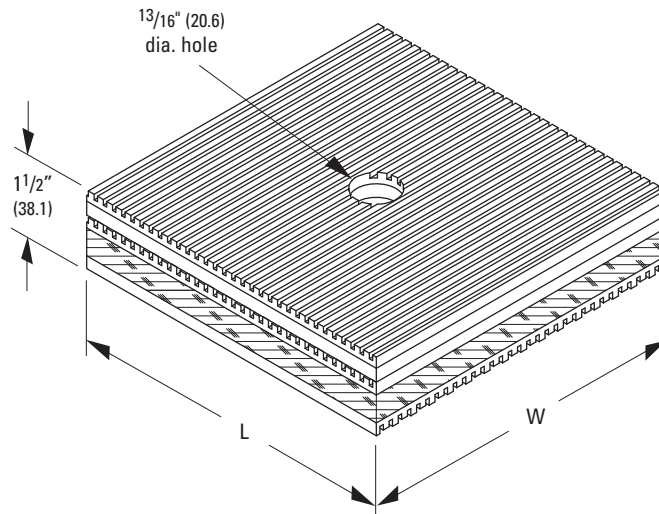
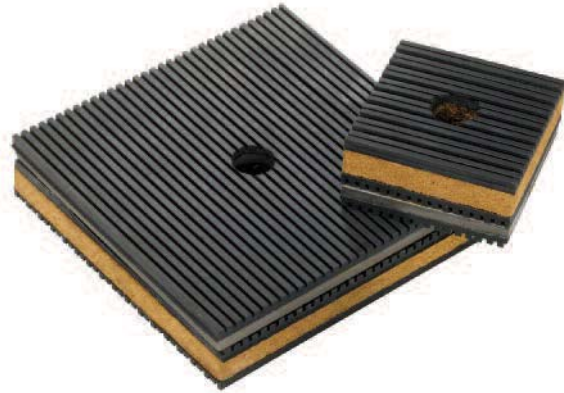
Part No.	Rated Load		Dimensions		Std. Pkg.	Wt. Each	
	Lbs.	(kN)	L in. (mm)	W in. (mm)		Lbs.	(kg)
CNP-4	200	(.89)	2" (50.8)	2" (50.8)	48	.07	(.03)
CNP-9	450	(2.00)	3" (76.2)	3" (76.2)	36	.16	(.07)
CNP-16	800	(3.56)	4" (101.6)	4" (101.6)	24	.28	(.13)
CNP-25	1250	(5.56)	5" (127.0)	5" (127.0)	24	.44	(.20)
CNP-36	1800	(8.00)	6" (152.4)	6" (152.4)	24	.63	(.29)
CNP-81	4050	(18.01)	9" (228.6)	9" (228.6)	Bulk	1.40	(.64)
CNP-324	16200	(72.06)	18" (457.2)	18" (457.2)	6	5.60	(2.54)
CNP-3x36	5400	(24.02)	3" (76.2)	36" (914.4)	6	1.89	(.86)
CNP-4x36	7200	(32.02)	4" (101.6)	36" (914.4)	6	2.52	(1.14)

All dimensions in charts and on drawings are in inches. Dimensions shown in parentheses are in millimeters unless otherwise specified.

CNNK Type - Cork, Ribbed Neoprene and Steel Vibration Pad

Use: Is used to dampen noise and vibration in floor caused by medium and high speed equipment.

- Recommended load capacity:
Up to 50 lbs./sq.in. (0.042 kgf/mm²) with a range of
25-70 lbs./sq.in. (0.021-0.059 kgf/mm²)
- Overall thickness: 1 1/2" (38.1mm)
Has 1/4" (6.3mm) steel plate for even weight distribution.
Hole in center will accept up to 3/4" bolt
- The CNNK type has a deflection of 3/16" (4.7mm).
For greater deflection, use multiple pads in layers
- Non-skid: The pad has an alternating height rib pattern to minimize slip
- Durable: Material is oil-resistant Neoprene
- Typical Applications: Air conditioners, cooling towers, compressors, fans, generators, pumps, piping, process equipment, transformers, etc.



Part No.	Rated Load		Dimensions				Std. Pkg.	Wt. Each	
	Lbs.	(kN)	L in.	(mm)	W in.	(mm)		Lbs.	(kg)
CNNK-4	200	(.89)	2"	(50.8)	2"	(50.8)	48	.40	(.18)
CNNK-9	450	(2.00)	3"	(76.2)	3"	(76.2)	36	.90	(.41)
CNNK-16	800	(3.56)	4"	(101.6)	4"	(101.6)	24	1.60	(.73)
CNNK-25	1250	(5.56)	5"	(127.0)	5"	(127.0)	24	2.50	(1.13)
CNNK-36	1800	(8.00)	6"	(152.4)	6"	(152.4)	Bulk	3.50	(1.59)
CNNK-64	3200	(14.23)	8"	(203.2)	8"	(203.2)	6	6.20	(2.81)

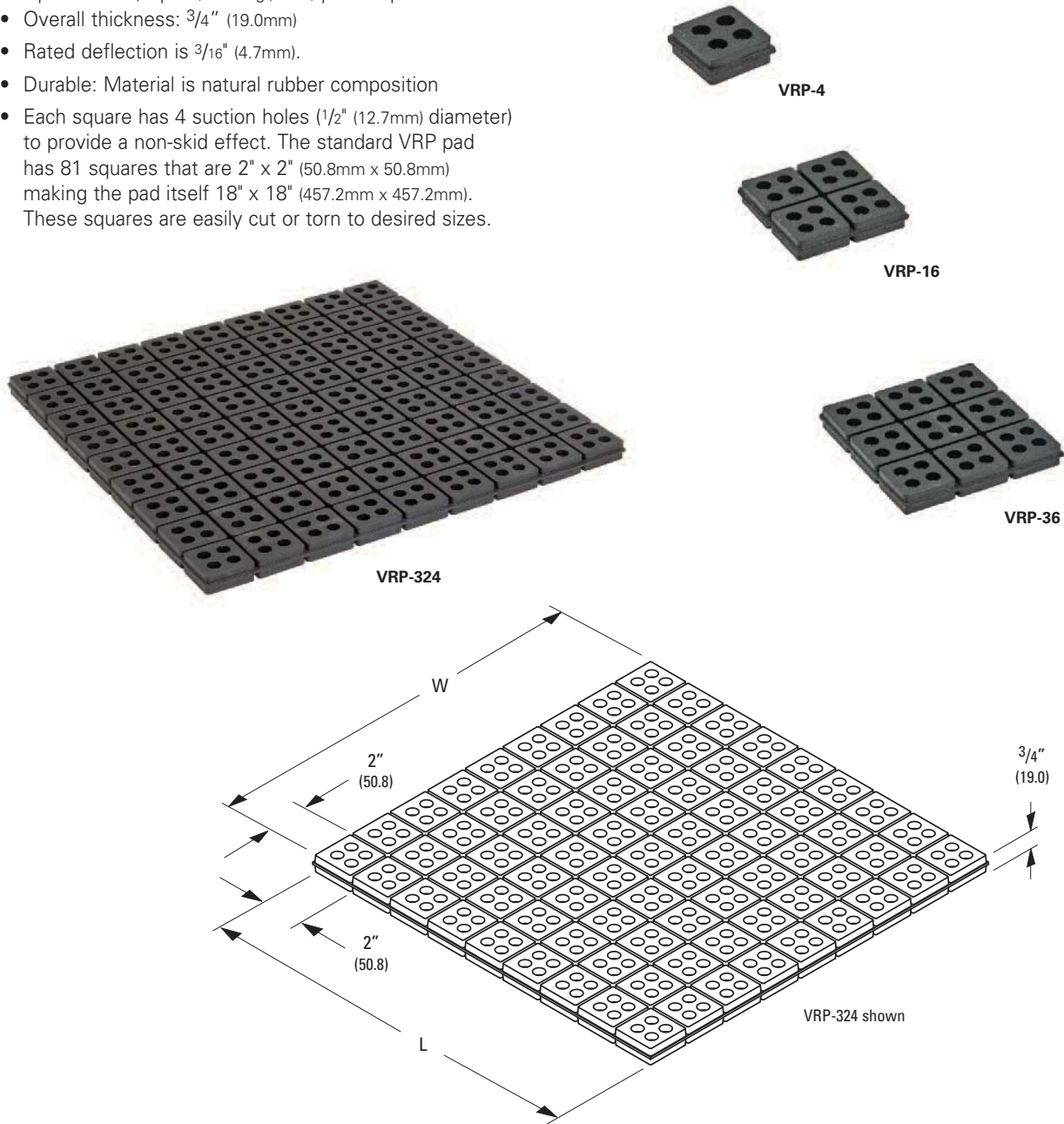
All dimensions in charts and on drawings are in inches. Dimensions shown in parentheses are in millimeters unless otherwise specified.

Vibration Isolation

VRP Type - Rubber Cube Vibration Pad

Use: Is used to dampen noise and vibration in floor caused by medium and high speed equipment.

- Recommended load capacity:
Up to 45 lbs./sq.in. (0.038 kgf/mm²) per 1 square inch
- Overall thickness: 3/4" (19.0mm)
- Rated deflection is 3/16" (4.7mm).
- Durable: Material is natural rubber composition
- Each square has 4 suction holes (1/2" (12.7mm) diameter) to provide a non-skid effect. The standard VRP pad has 81 squares that are 2" x 2" (50.8mm x 50.8mm) making the pad itself 18" x 18" (457.2mm x 457.2mm). These squares are easily cut or torn to desired sizes.



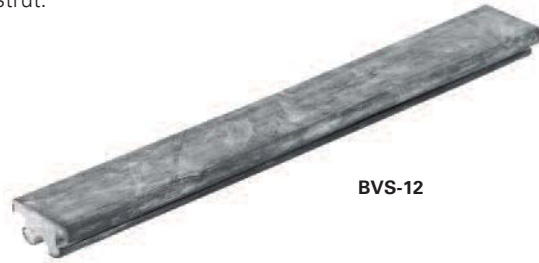
Part No.	Rated Load		Dimensions				Wt. Each	
	Lbs.	(kN)	L in. (mm)	W in. (mm)	Std. Pkg.	Lbs.	(kg)	
VRP-4	180	(.80)	2" (50.8)	2" (50.8)	Bulk	.10	(.05)	
VRP-16	720	(3.20)	4" (101.6)	4" (101.6)	Bulk	.41	(.19)	
VRP-36	1620	(7.20)	6" (152.4)	6" (152.4)	Bulk	.90	(.41)	
VRP-324	14580	(64.85)	18" (457.2)	18" (457.2)	3	8.15	(3.70)	

All dimensions in charts and on drawings are in inches. Dimensions shown in parentheses are in millimeters unless otherwise specified.

BVS Type - Vibra Strip™ for 1⁵/₈" (41.3mm) wide Eaton B-Line series channel

Use: Dampen noise and vibration of equipment when mounted on strut.

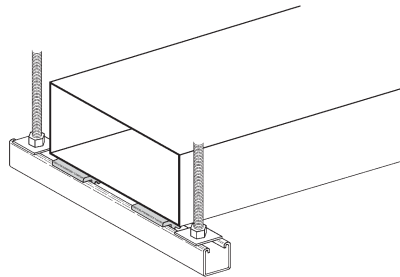
- When inserted in channel slot, provides an excellent isolation medium between equipment, duct, piping, etc., and the support channel.
- Vibra Strip is furnished in 12" (304.8mm) or 120" (3.05m) lengths, may be cut to satisfy specific requirement.
- Durable: 45 durometer Neoprene
- Temperature Range:
-20°F (-28.9°C) to 212°F (100°C) (continuous)



BVS-12



BVS-120



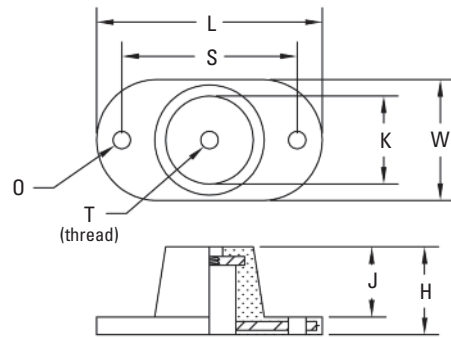
Part No.	Max. Load		Length	Std. Pkg.	Wt. Each	
	Lbs. per Lineal In.	Lbs. (kg/25.4 mm)			in. (mm)	Lbs. (kg)
BVS-12	40	(18.1)	12" (304.8)	25	.46	(.21)
BVS-120	40	(18.1)	120" (3048.0)	1	4.56	(2.07)

All dimensions in charts and on drawings are in inches. Dimensions shown in parentheses are in millimeters unless otherwise specified.

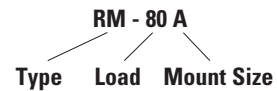
Vibration Isolation

RM & RM-D Type - Neoprene Mount

Use: To minimize or prevent noise and vibration from transferring between equipment and floor or solid support structure. Typical applications include air handling units, air conditioners, compressors, pumps, machine tools, motors, business machines, transformers, furnaces, etc.



Typical Part Numbering



RM Series for 1/4" (6.3mm) Deflection

Part No.	Mount Size	Maximum Load		Color Code
		in.	(mm)	
RM-40A	A	40	(0.18)	Orange
RM-55A	A	55	(.025)	Yellow
RM-80A	A	80	(0.35)	Green
RM-130A	A	130	(0.58)	Blue
RM-120B	B	120	(0.53)	Orange
RM-200B	B	200	(.089)	Yellow
RM-280B	B	280	(1.24)	Green
RM-400B	B	400	(1.78)	Blue
RM-300C	C	300	(.133)	Yellow
RM-520C	C	520	(2.31)	Green
RM-750C	C	750	(3.33)	Blue
RM-1100C	C	1100	(4.89)	White
RM-1800F	F	1800	(8.00)	Green
RM-3000F	F	3000	(13.3)	Blue
RM-5000F	F	5000	(22.2)	Green

RM-D Series for 1/2" (12.7mm) Deflection

Part No.	Mount Size	Maximum Load		Color Code
		in.	(mm)	
RM-D-40A	A	40	(0.18)	Orange
RM-D-55A	A	55	(.025)	Yellow
RM-D-80A	A	80	(0.35)	Green
RM-D-130A	A	130	(0.58)	Blue
RM-D-120B	B	120	(0.53)	Orange
RM-D-200B	B	200	(.089)	Yellow
RM-D-280B	B	280	(1.24)	Green
RM-D-400B	B	400	(1.78)	Blue
RM-D-300C	C	300	(.133)	Yellow
RM-D-520C	C	520	(2.31)	Green
RM-D-750C	C	750	(3.33)	Blue
RM-D-1100C	C	1100	(4.89)	White
RM-D-1800F	F	1800	(8.00)	Green
RM-D-3000F	F	3000	(13.3)	Blue
RM-D-5000F	F	5000	(22.2)	Green

Dimensions

Mount Size	L	S	W	O	T	K	H		J	
	in. (mm)	in. (mm)	in. (mm)	in. (mm)		in. (mm)	RM in. (mm)	RM-D in. (mm)	RM in. (mm)	RM-D in. (mm)
A	3 ³ / ₁₆ (81.0)	2 ³ / ₈ (27.8)	1 ¹³ / ₁₆ (47.5)	1 ¹ / ₃₂ (8.7)	5/16"-18	1 ¹ / ₄ (31.7)	1 (25.4)	1 ¹ / ₂ (38.1)	1 ³ / ₁₆ (20.6)	1 ⁵ / ₁₆ (33.3)
B	3 ⁷ / ₈ (98.4)	3 (76.2)	2 ³ / ₈ (60.3)	1 ¹ / ₃₂ (8.7)	3/8"-16	1 ³ / ₄ (44.4)	1 ¹ / ₄ (31.7)	1 ¹³ / ₁₆ (46.0)	1 ¹ / ₃₂ (26.2)	1 ⁹ / ₁₆ (39.7)
C	5 ¹ / ₂ (134.7)	4 ¹ / ₈ (104.8)	3 ¹ / ₄ (82.5)	9/16 (14.3)	1/2"-13	2 ¹ / ₂ (63.5)	1 ¹ / ₂ (38.1)	2 ¹ / ₂ (63.5)	1 ¹ / ₄ (31.7)	2 ¹ / ₄ (57.1)
F	7 ¹ / ₂ (190.5)	6 ¹ / ₈ (155.6)	4 ⁷ / ₈ (123.8)	9/16 (14.3)	5/8"-11	4 ³ / ₈ (111.1)	1 ⁵ / ₈ (41.3)	2 ³ / ₄ (69.8)	1 ³ / ₈ (34.9)	2 ¹ / ₂ (63.5)

All dimensions in charts and on drawings are in inches. Dimensions shown in parentheses are in millimeters unless otherwise specified.