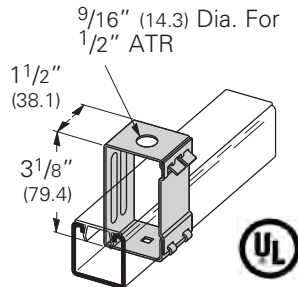


Fluorescent Fixture Hangers

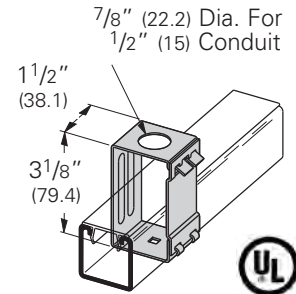
B616-9/16 Channel Hanger

- Design Load 250 Lbs. (1.11 kN)
- Safety Factor of 3
- Maximum design load 50 Lbs. (.22 kN) when used as a fixture support
- Includes: 2 pcs. $\frac{3}{8}$ " Flat Washers for use with $\frac{3}{8}$ " ATR
- Material: 16 Gauge (1.5)
- Standard finish: ZN
- Wt./C 25 Lbs. (11.3 kg)



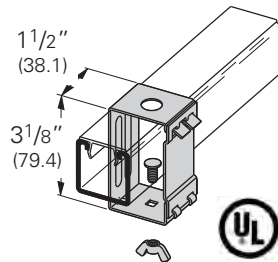
B616-7/8 Channel Hanger

- Design Load 250 Lbs. (1.11 kN)
- Safety Factor of 3
- Maximum design load 50 Lbs. (.22 kN) when used as a fixture support
- Material: 16 Gauge (1.5)
- Standard finish: ZN
- Wt./C 25 Lbs. (11.3 kg)



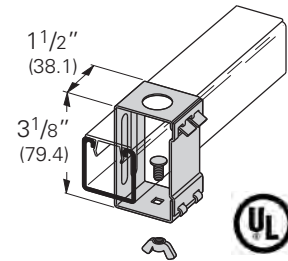
B616S-9/16 Fluorescent Fixture Hanger with Stud

- Design Load 150 Lbs. (.67 kN)
- Safety Factor of 3
- Maximum design load 50 Lbs. (.22 kN) when used as a fixture support
- Allows more than $\frac{1}{2}$ " (12.7) space between channel and fixture
- Includes: 2 pcs. $\frac{3}{8}$ " Flat Washers for use with $\frac{3}{8}$ " ATR
- Material: 16 Gauge (1.5)
- Standard finish: ZN
- Wt./C 30 Lbs. (13.6 kg)



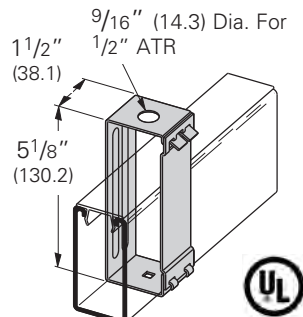
B616S-7/8 Fluorescent Fixture Hanger with Stud

- Design Load 150 Lbs. (.67 kN)
- Safety Factor of 3
- Maximum design load 50 Lbs. (.22 kN) when used as a fixture support
- Allows more than $\frac{1}{2}$ " (12.7) space between channel and fixture
- Standard finish: ZN
- Wt./C 30 Lbs. (13.6 kg)



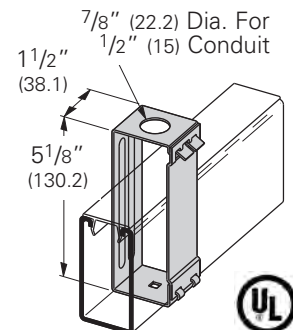
B616-22A-9/16 Channel Hanger

- Design Load 250 Lbs. (1.11 kN)
- Safety Factor of 3
- Maximum design load 50 Lbs. (.22 kN) when used as a fixture support
- Includes: 2 pcs. $\frac{3}{8}$ " Flat Washers for use with $\frac{3}{8}$ " ATR
- Material: 14 Gauge (1.9)
- Standard finish: ZN
- Wt./C 44 Lbs. (19.9 kg)



B616-22A-7/8 Channel Hanger

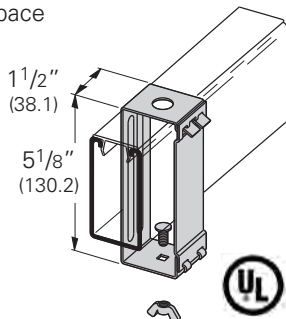
- Design Load 250 Lbs. (1.11 kN)
- Safety Factor of 3
- Maximum design load 50 Lbs. (.22 kN) when used as a fixture support
- Material: 14 Gauge (1.9)
- Standard finish: ZN
- Wt./C 44 Lbs. (19.9 kg)



Fluorescent Fixture Hangers

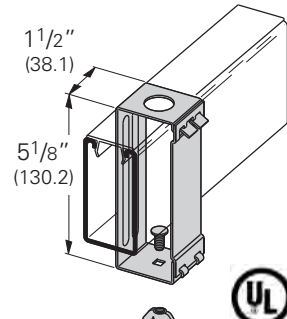
B616S-22A-9/16 Fluorescent Fixture Hanger with Stud

- Design Load 150 Lbs. (.67 kN)
- Safety Factor of 3
- Maximum design load 50 Lbs. (.22 kN) when used as a fixture support
- Includes:
2 pcs. $\frac{3}{8}$ " Flat Washers for use with $\frac{3}{8}$ " ATR
- Allows more than $\frac{1}{2}$ " (12.7) space between channel and fixture
- Material: 14 Gauge (1.9)
- Standard finish: ZN
- Wt./C 49 Lbs. (22.2 kg)



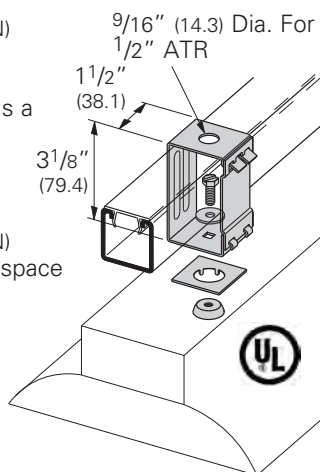
B616S-22A-7/8 Fluorescent Fixture Hanger with Stud

- Design Load 150 Lbs. (.67 kN)
- Safety Factor of 3
- Maximum design load 50 Lbs. (.22 kN) when used as a fixture support
- Allows more than $\frac{1}{2}$ " (12.7) space between channel and fixture
- Material: 14 Gauge (1.9)
- Standard finish: ZN
- Wt./C 49 Lbs. (22.2 kg)



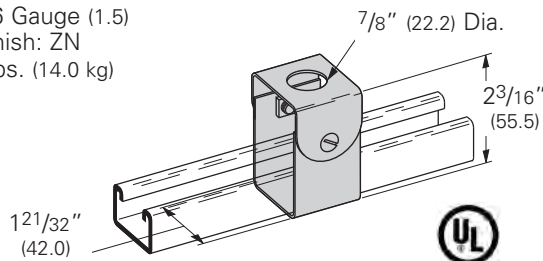
B616TG-9/16 Fluorescent Fixture Hanger for 1/2\" (15) Knockout

- Design Load 150 Lbs. (.67 kN)
- Safety Factor of 3
- Maximum design load 50 Lbs. (.22 kN) when used as a fixture support
- Includes:
2 pcs. $\frac{3}{8}$ " Flat Washers for use with $\frac{3}{8}$ " ATR
- Design Load 150 Lbs. (.67 kN)
- Allows more than $\frac{1}{2}$ " (12.7) space between channel and fixture
- Material: 16 Gauge (1.5)
- Standard finish: ZN
- Wt./C 32 Lbs. (14.5 kg)



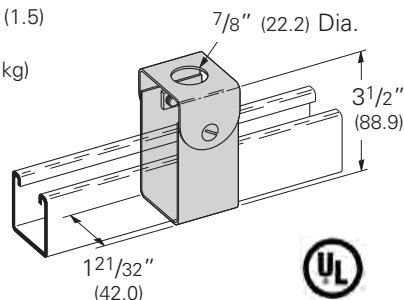
B215S Channel Hanger

- Can be used with $\frac{3}{8}$ " & $\frac{1}{2}$ " threaded rod or $\frac{3}{8}$ " & $\frac{1}{2}$ " conduit
- Design Load 250 Lbs. (1.11 kN)
- Safety Factor of 3
- For use with B42, B52, B54 & B56 Channels
- Hardware included:
One (1) $\frac{3}{8}$ " x $1\frac{1}{2}$ " FFW for use with $\frac{3}{8}$ "-16 ATR
One (1) $\frac{1}{2}$ " FW for use with $\frac{1}{2}$ "-13 ATR
One (1) $\frac{5}{8}$ " FW for use with $\frac{3}{8}$ " conduit
- Material: 16 Gauge (1.5)
- Standard finish: ZN
- Wt./C 31 Lbs. (14.0 kg)



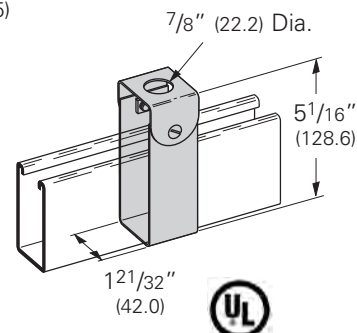
B216S Channel Hanger

- Can be used with $\frac{3}{8}$ " & $\frac{1}{2}$ " threaded rod or $\frac{3}{8}$ " & $\frac{1}{2}$ " conduit
- Design Load 250 Lbs. (1.11 kN)
- Safety Factor of 3
- For use with B22, B24, B26 & B32 Channels
- Hardware included:
One (1) $\frac{3}{8}$ " x $1\frac{1}{2}$ " FFW for use with $\frac{3}{8}$ "-16 ATR
One (1) $\frac{1}{2}$ " FW for use with $\frac{1}{2}$ "-13 ATR
One (1) $\frac{5}{8}$ " FW for use with $\frac{3}{8}$ " conduit
- Material: 16 Gauge (1.5)
- Standard finish: ZN
- Wt./C 38 Lbs. (17.2 kg)



B241S Channel Hanger

- Can be used with $\frac{3}{8}$ " & $\frac{1}{2}$ " threaded rod or $\frac{3}{8}$ " & $\frac{1}{2}$ " conduit
- Design Load 250 Lbs. (1.11 kN)
- Safety Factor of 3
- For use with B11 & B12 Channels
- Hardware included:
One (1) $\frac{3}{8}$ " x $1\frac{1}{2}$ " FFW for use with $\frac{3}{8}$ "-16 ATR
One (1) $\frac{1}{2}$ " FW for use with $\frac{1}{2}$ "-13 ATR
One (1) $\frac{5}{8}$ " FW for use with $\frac{3}{8}$ " conduit
- Material: 16 Gauge (1.5)
- Standard finish: ZN
- Wt./C 47 Lbs. (21.3 kg)



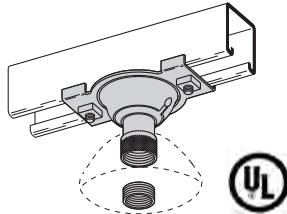
Electrical Accessories

Reference page 163 for general fitting and standard finish specifications. U.L. Wire Fill Chart on pages 231 - 232.

Fluorescent Fixture Hangers

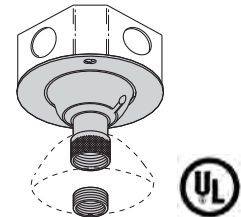
B390S 360° Swivel Channel Connector

- Design Load 250 Lbs. (1.11 kN)
- Safety Factor of 3
- Maximum design load 50 Lbs. (.22 kN) when used as a fixture support
- Swings 15° in 360° plane
- Includes:
 - 2 pcs. SN224-3/4"WO Stud Nut
 - 2 pcs. 1/4"-20 Square Nut
 - 1 pc. 3/4" (20) to 1/2" (15) Conduit Reducer
- Standard finish: ZN
- Wt./C 71 Lbs. (32.2 kg)



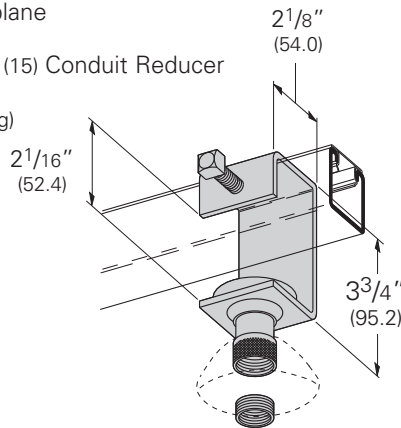
B390BX 360° Swivel Box Connector

- Design Load 250 Lbs. (1.11 kN) for Connector Fitting only
- Safety Factor of 3
- Design Load 50 Lbs. (.22 kN) when used as illustrated or for use as a fixture support
- Swings 15° in 360° plane
- Includes:
 - 1 pc. 3/4" (20) to 1/2" (15) Conduit Reducer
- Fits on 4" box
- Standard finish: ZN
- Wt./C 55 Lbs. (24.9 kg)



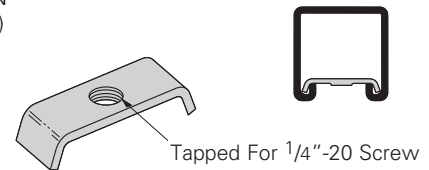
B465 H.I.D. Fixture Hanger

- Design Load 250 Lbs. (1.11 kN)
- Safety Factor of 3
- Swings 15° in 360° plane
- Includes:
 - 1 pc. 3/4" (20) to 1/2" (15) Conduit Reducer
- Standard finish: ZN
- Wt./C 95 Lbs. (43.1 kg)



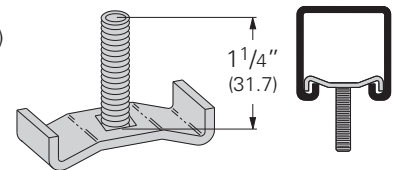
B436 Fluorescent Fixture Nut

- Standard finish: ZN
- Wt./C 2 Lbs. (.9 kg)



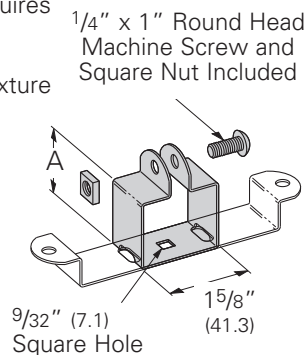
B436S Fluorescent Fixture Stud Nut

- Bolt size: 1/4" x 1 1/4"
- Standard finish: ZN
- Wt./C 4 Lbs. (1.8 kg)
- Design Load 250 Lbs. (1.11 kN)
- Safety Factor of 3



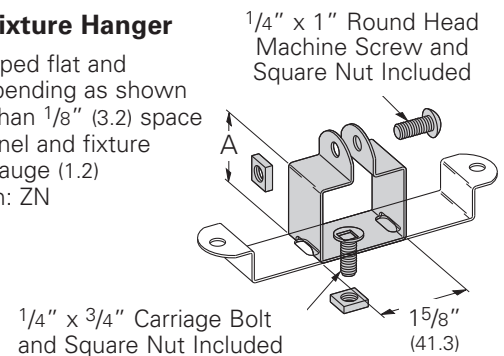
B460 Fluorescent Fixture Hanger

- Hanger is shipped flat and requires field bending as shown
- Allows more than 1/2" (12.7) space between channel and fixture
- Material: 18 Gauge (1.2)
- Standard finish: ZN



B464 Fluorescent Fixture Hanger

- Hanger is shipped flat and requires field bending as shown
- Allows more than 1/8" (3.2) space between channel and fixture
- Material: 18 Gauge (1.2)
- Standard finish: ZN



Part No.	For Channel Size	A		Wt./C	
		In.	mm	Lbs.	kg
B460-22	B22, B24, B26, B32	2 1/8"	(57.5)	17	(7.7)
B460-12	B12	2 15/16"	(79.5)	20	(9.1)
B460-11	B11	3 3/4"	(101.6)	23	(10.4)

Part No.	For Channel Size	A		Wt./C	
		In.	mm	Lbs.	kg
B464-32	B32	1 1/2"	(40.6)	17	(7.7)
B464-22	B22, B24, B26	1 3/4"	(47.4)	18	(8.1)
B464-12	B12	2 9/16"	(66.0)	21	(9.5)
B464-11	B11	3 3/8"	(91.4)	24	(10.9)