

Non-Metallic Weatherproof Boxes, Covers and Lampholders

Applications

- Marine rated boxes and covers are ideal for use in highly corrosive areas, beaches, docks, pools, or other wet location areas.
- Use in branch circuit wiring for wet, damp or dry locations.
- May be used as a junction box or a device box for switches, receptacles, GFCI's etc.
- Lampholders are for use in exterior and interior applications to provide safety and security for driveways, doorways and walkways.

Features

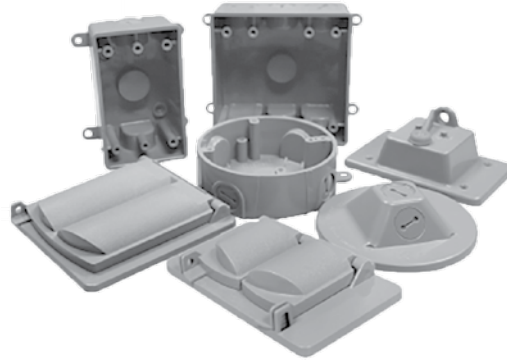
- Rugged PVC or polycarbonate construction prevents entry of dirt, dust and moisture.
- Resistant to impact, heat or low temperature distortion, and mold.
- Mounting can be achieved with formed in place mounting lugs.
- Smooth, accurately tapped hubs prevent wire abrasion.
- Clear UL marking and volumetric marking cast into each box facilitate electrical inspection.
- Continuous box and cover compression ensure complete sealing at gasket interface to prevent moisture entry.
- Lockable covers.
- Closure plugs (2) provided with each box.
- Mounting hardware and gasket provided with each cover.
- Locking swivel knuckle on lampholders permits positive lamp positioning and accurate directional aiming.
- Lampholders are supplied with locknuts, porcelain sockets and internal gaskets for reliability and weather protection.
- Complete installation instructions provided with each item.

Standard Materials/Finishes

- Boxes: PVC
- Covers: PVC or polycarbonate
- Cover screws: Nickel plated steel
- Gaskets: closed cell foam
- Sockets: porcelain (lampholders)

NEC/CEC Certifications and Compliances

- UL Standard: 514C, 514D, 1598 as applicable
- cULus Listed: E109438, E477255
- CSA Standard: C22.2 No. 18.2 (2008), C22.2 No. 42.1, C22.2 No. 42.1



Most of the boxes, covers and lampholders are individually shrink wrapped, labeled and bar coded for ease of handling and identification.

Sturdy corrugated boxes with easy lift-off top with shrink wrapping facilitate merchandising.

Non-Metallic Weatherproof Outlet Boxes

Closure plugs and mounting lugs included.


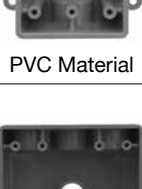
NEC/CEC:



UL Standard: 514C, 514D, 1598 as applicable


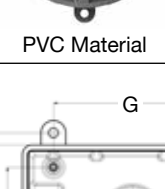
UL Listed: E109438, E477255

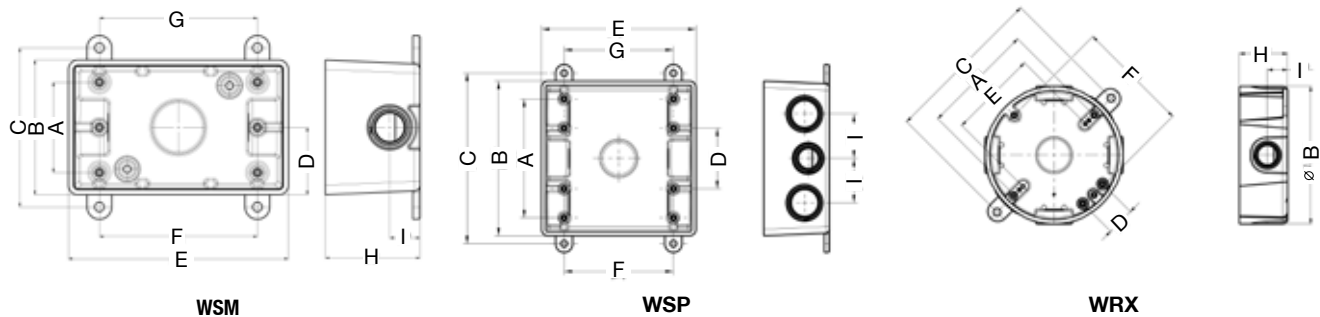
CSA Standard: C22.2 No. 18.2 (2008),

C22.2 No. 42.1, C22.2 No. 42.1

	Depth (inches)	Wiring Cubic Inch Capacity	Hub Size (inches)	No. Of Hubs	Color	Catalog Number
	2	16.3	1/2	3	Gray	WSM150GNM ①
	2	16.3	1/2	3	White	WSM150WNM ①
PVC Material						

	2	28.3	1/2	7	Gray	WSP25075GNM ①
	2	28.3	1/2	7	White	WSP25075WNM ①
PVC Material						

	1.5	14.8	1/2	5	Gray	WRX50GNM ①
	1.5	14.8	1/2	5	White	WRX50WNM ①
PVC Material						



Dimensions In Millimeters (Inches)									
A	B	C	D	E	F	G	H	I	Catalog Number
47.63 (1.87)	71.00 (2.8)	83.80 (3.3)	35.50 (1.4)	116.00 (4.6)	82.55 (3.25)	83.34 (3.3)	50.00 (2.0)	16.00 (0.6)	WSM150GNM
47.63 (1.87)	71.00 (2.8)	83.80 (3.3)	35.50 (1.4)	116.00 (4.6)	82.55 (3.25)	83.34 (3.3)	50.00 (2.0)	16.00 (0.6)	WSM150WNM
90.50 (3.6)	117.70 (4.6)	129.60 (5.1)	46.00 (1.8)	117.70 (4.6)	82.55 (3.1)	83.34 (3.3)	—	33.80 (1.3)	WSP25075GNM
90.50 (3.6)	117.70 (4.6)	129.60 (5.1)	46.00 (1.8)	117.70 (4.6)	82.55 (3.1)	83.34 (3.3)	—	33.80 (1.3)	WSP25075WNM
88.90 (3.5)	108.60 (4.3)	127.00 (5.0)	22.00 (0.9)	69.85 (2.8)	88.90 (3.5)	—	38.00 (1.5)	16.00 (0.6)	WRX50GNM
88.90 (3.5)	108.60 (4.3)	127.00 (5.0)	22.00 (0.9)	69.85 (2.8)	88.90 (3.5)	—	38.00 (1.5)	16.00 (0.6)	WRX50WNM

① UL Listed Marine

Non-Metallic Weatherproof Covers

NEC/CEC:

UL Standard: 514C, 514D, 1598 as applicable


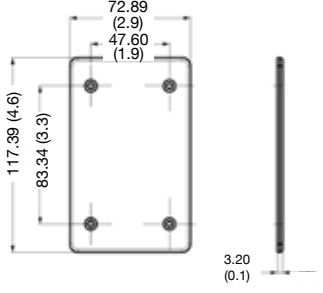

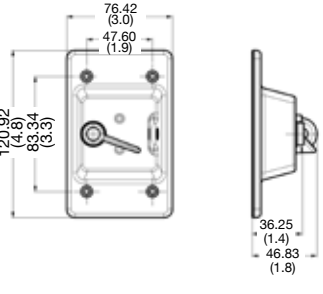

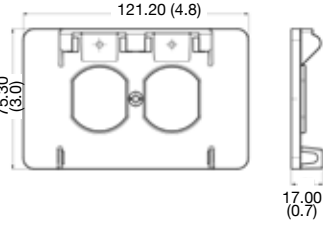

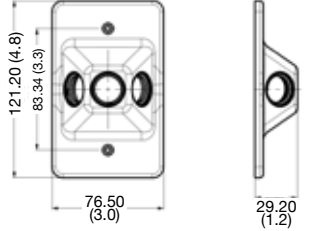
UL Listed: E109438, E477255

CSA Standard: C22.2 No. 18.2 (2008),

C22.2 No. 42.1, C22.2 No. 42.1

Commercial Products

WEATHERPROOF OUTLET BOXES AND COVERS


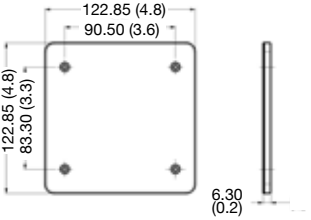

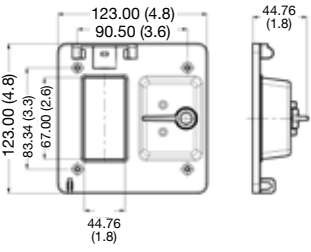

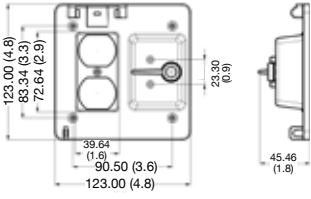

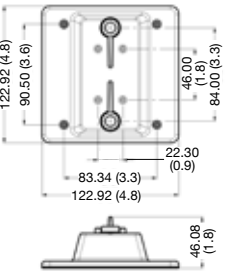
Description	Orientation	For use with devices	Color	Catalog Number	Dimensions In Millimeters (Inches)
 Blank Cover PVC Material	Universal	—	Gray	WCB14GNM ①	
			White	WCB14WNM ①	
 Toggle Cover PVC Material	Horizontal	—	Gray	WCT1GNM ②	
			White	WCT1WNM ②	
 Lockable Cover Polycarbonate Material	Horizontal	Duplex	Gray	WHD1GNM ②	
			White	WHD1WNM ②	
 1-Gang Lampholder Cover Polycarbonate Material	Universal	Lampholders	Gray	WC1350GNM ②	
			White	WC1350WNM ②	

① cULus Listed Marine

② cULus Listed

Non-Metallic Weatherproof Covers


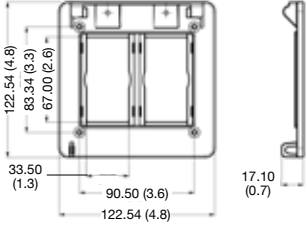

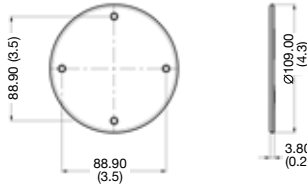

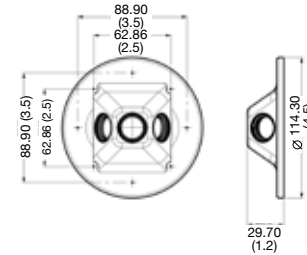

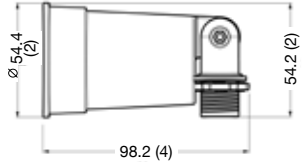
NEC/CEC:
 UL Standard: 514C, 514D, 1598 as applicable
 UL Listed: E109438, E477255
 CSA Standard: C22.2 No. 18.2 (2008),
 C22.2 No. 42.1, C22.2 No. 42.1

	Description	Orientation	For use with devices	Color	Catalog Number	Dimensions In Millimeters (Inches)
 PVC Material	2-Gang Blank Cover	Universal	—	Gray	WCB24GNM ①	
				White	WCB24WNM ①	
 PVC Material	2-Gang Device Cover	Horizontal	GFCI/Switch (Red Toggle)	Gray	WVTG2GTG ②	
				White	WVTG2GTW ②	
 PVC Material	2-Gang Device Cover	Horizontal	Duplex/Switch (Red Toggle)	Gray	WVTGGDT ②	
				White	WVTGWDT ②	
 PVC Material	2-Gang Device Cover	Horizontal	Switches (Not Included)	Gray	WVTT2GNM ②	
				White	WVTT2WNM ②	

① cULus Listed Marine
 ② cULus Listed

Non-Metallic Weatherproof Covers

NEC/CEC:
 UL Standard: 514C, 514D, 1598 as applicable
 UL Listed: E109438, E477255
 CSA Standard: C22.2 No. 18.2 (2008),
 C22.2 No. 42.1, C22.2 No. 42.1

	Description	Orientation	For use with devices	Color	Catalog Number	Dimensions In Millimeters (Inches)
 Polycarbonate Material	2-Gang Device Cover	Horizontal	(2) GFCI or (2) Duplex*	Gray	WVTGUGNM ①	
				White	WVTGUWNM ①	
 PVC Material	Round Blank Cover	Universal	—	Gray	WCBRGNM ②	
				White	WCBRWNM ②	
 Polycarbonate Material	Round Lampholder Cover	Universal	Lampholders	Gray	WCR350GNM ①	
				White	WCR350WNM ①	
 Polycarbonate Material	Lampholder	Universal	Lamps	Gray	WLIGNM ①	
				White	WLIWNM ①	

① cULus Listed
 ② cULus Listed Marine

One-Gang Die Cast Weatherproof In-Use Covers with Inserts

Applications

- For use in damp or wet locations.

Features

- Extra-Duty rated per the requirements of the NEC.
- Provides weather protection with cover closed and cords plugged in.
- Multi-height lever adjusts to create a cover depth of 2-3/4" or 3-1/2".
- Impact rated.
- Adhesive sealing gasket factory installed to ease installation.
- Reinforced hinge withstands 40 lbs. stress test.
- Device inserts snap into place without the use of tools.
- Extra-large cord opening for heavy gauge cords.
- Sleek industrial design.
- Lockable.

Standard Materials/Finish

- Body/cover: die cast aluminum
- Lever — Stamped steel zinc plated

Certifications and Compliances

- UL Standard: 514D
- CSA Standard: C22.1
- cULus Listed: E2527

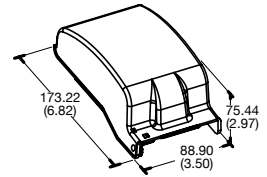
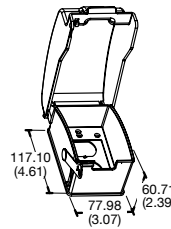
Description	Orientation	Catalog Number	Dimensions In Millimeters (Inches)
-------------	-------------	----------------	------------------------------------



1-Gang In Use Cover

Vertical

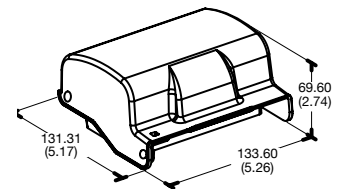
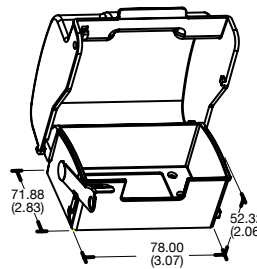
WCIU1DV



1-Gang In Use Cover

Horizontal

WCIU1DH



Round						
Duplex	GFCI	Switch	2-1/8"	1-11/16"	1-5/8"	1-5/8"



Duplex Adapter



GFCI Adapter



2-1/8" Adapter
1-5/8" Ring
Switch Adapter



2-1/8" Adapter



1-11/16" Ring



1-5/8" Ring



1-5/8" Ring

Two-Gang Die Cast Weatherproof In-Use Cover with Inserts

Applications

- For use in damp or wet locations.

Features

- Extra-Duty rated per the requirements of the NEC.
- Provides weather protection with cover closed and cords plugged in.
- Multi-height lever adjusts to create a cover depth of 2-3/4" or 3-1/2".
- Impact rated.
- Adhesive sealing gasket factory installed to ease installation.
- Reinforced hinge withstands 40 lbs. stress test.
- Device inserts snap into place without the use of tools.
- Extra-large cord opening for heavy gauge cords.
- Sleek industrial design.
- Lockable.

Standard Materials/Finish

- Body/cover: die cast aluminum
- Lever — Stamped steel zinc plated


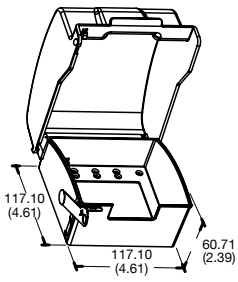
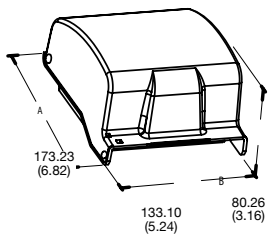
Certifications and Compliances








- UL Standard: 514D
- CSA Standard: C22.1
- cULus Listed: E2527



Commercial Products

WEATHERPROOF OUTLET BOXES AND COVERS

Description	Orientation	Catalog Number	Dimensions In Millimeters (Inches)	
	Horizontal	WCIU2SD		

Round						
Duplex	GFCI	Switch	2-1/8"	1-11/16"	1-5/8"	1-5/8"
						
Duplex Adapter	GFCI Adapter	2-1/8" Adapter 1-5/8" Ring Switch Adapter	2-1/8" Adapter	1-11/16" Ring	1-5/8" Ring	1-5/8" Ring