

RigMaster™ Metallic Fluorescent Luminaires

For Hazardous and Adverse Locations

Suitable for Use in Wet Locations. 32 W, 40 W and 60 W Two-Lamp Fixtures.

Class I, Division 2, Groups A, B, C, D
NEMA Type 4X
Marine Type Electric Fixture Non-Recessed
Outside Type (Salt Water) ①②

Applications

- Enclosed and gasketed fixtures for use where vapors, moisture, dirt or corrosive atmospheres are encountered.
- For use in hazardous locations defined by the NEC as Class I, Division 2, Groups A, B, C & D; Marine Type Electric Fixture Non-Recessed Outside Type (Salt Water); UL1598A; and Type 4X.
- For use in locations where a high degree of corrosion resistance is required.
- For indoor/outdoor use where protection against dirt, water and moisture is necessary.
- Typical applications include:
 - Oil drilling rigs
 - Marine loading terminals
 - Processing plants
 - Pipeline pumping stations
 - Water treatment plants
 - Lubrication pits

Features

- Choice of mountings: end brackets, swivel brackets and straight brackets.
- Thick 1/8" clear acrylic lens protects against possible broken glass from lamps.
- RigMaster fixtures are supplied with the following ballast:
 - Class P low energy (E) ballasts which are equipped with an automatic thermally-activated protective device; offers protection against excessive voltage, internal ballast short circuiting, inadequate lamp maintenance and improper fixture application.
 - 220- and 240-volt options are available in both 50 and 60 Hz.
- High-temperature nickel-cadmium battery has a life expectancy of 7 to 10 years.
- Battery charger indicator light and test switch are mounted inside the enclosure and visible through the clear lens.
- Heavy-duty telescoping lampholders.
- Fixtures are shipped complete with lamps.
- Swivel End Mount fixture comes standard with eyebolt on fixture end for connecting safety cable.
- Swivel Center Mount and Straight Center Mount fixtures come standard with cast mounts on fixture end for connecting safety cable.

Standard Materials

- Reflector housings: extruded aluminum
- Door frame: 1/8" extruded aluminum
- Door clamps: heavy-duty plated spring steel
- Lampholders: white urea plastic
- Gasket: neoprene

Options

- Individually fused ballast: suffix **-F**.
- Emergency battery pack: suffix **-EL** ①.
- Emergency Battery Pack capability in moments of power interruption. Luminaire automatically switches to emergency mode, keeping one lamp illuminated for a minimum of 90 minutes. When AC power is restored, battery automatically recharges in 24 hours. Initial light output is 600-700 lumens.



RM2232BUSW

Illustrated Feature



Four plated steel latches on each side of door assure integrity of fixture for areas as classified.

Certifications and Compliances

- UL Standard: UL 1598, UL 844, UL 924
- UL Listed: E10794

① Fixtures with emergency ballast are not recommended where the ambient temperature may fall below 32 °F/0 °C for extended periods.

② Does not apply to fixtures with fusing.

RigMaster™ Metallic Fluorescent Luminaires

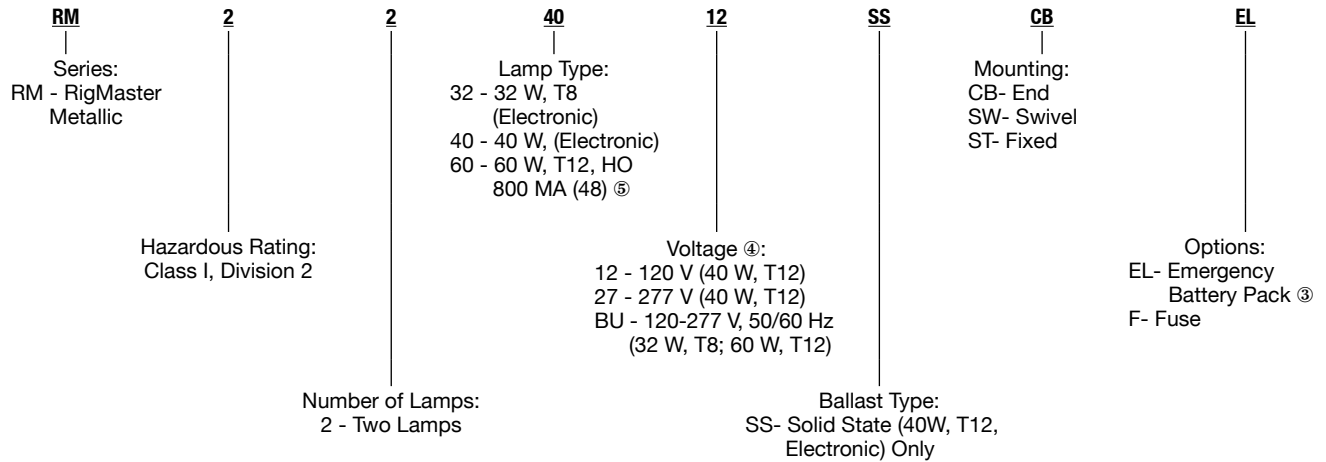
For Hazardous and Adverse Locations

Suitable for Use in Wet Locations. 32 W, 40 W and 60 W Two-Lamp Fixtures.

Class I, Division 2, Groups A, B, C, D
 NEMA Type 4X
 Marine Type Electric Fixture Non-Recessed
 Outside Type (Salt Water) ①②

Order using catalog numbering guide below or select catalog number from tables on following pages.

Catalog Numbering Guide For RigMaster Metallic Fluorescent Lighting Fixtures



Thermal Performance RigMaster Fixtures

Fixture	Quantity	Lamp		Ambient Temp (°F/°C)	“T” Numbers	Hazardous Classification
		Watt	Type			
RM2232	2	32	265MA-RS	104/40	T-4	Class I, Division 2, Groups A, B, C, D
RM2240	2	40	430MA-RS	104/40	T-4	Class I, Division 2, Groups A, B, C, D
RM2260	2	60	800MA-HO	104/40	T-4	Class I, Division 2, Groups A, B, C, D




① Fixtures with emergency ballast are not recommended where the ambient temperature may fall below 32 °F/0 °C for extended periods.
 ② Does not apply to fixtures with fusing.
 ③ For 50 Hz with Emergency Battery Pack, consult factory for certification.
 ④ BU for 32 W, T8 and 60 W, T12 only. Voltage must be specified for 40 W, T12.
 ⑤ CW suffix not needed for 60 W since -20 °F/-28 °C starting provided as a standard.

RigMaster™ Metallic Fluorescent Luminaires

For Hazardous and Adverse Locations

Suitable for Use in Wet Locations. 32 W, 40 W and 60 W Two-Lamp Fixtures.

Class I, Division 2, Groups A, B, C, D
 NEMA Type 4X
 Marine Type Electric Fixture Non-Recessed
 Outside Type (Salt Water) ①②

	No. of Lamps ③	Lamp Wattage	Lamp Type	Volts	Bracket Type	Catalog Number
 <p>Swivel End Bracket</p>	2	32	T8	120-277 V, 50/60 Hz	end	RM2232BUCEB
	2	40	T12	120 V, 60 Hz	end	RM224012SSCEB
	2	40	T12	277 V, 60 Hz	end	RM224027SSCEB
	2	60	T12	120-277 V, 50/60 Hz	end	RM2260BUCEB
 <p>Swivel Center Bracket</p>	2	32	T8	120-277 V, 50/60 Hz	swivel	RM2232BUSW
	2	40	T12	120 V, 60 Hz	swivel	RM224012SSSW
	2	40	T12	277 V, 60 Hz	swivel	RM224027SSSW
	2	60	T12	120-277 V, 50/60 Hz	swivel	RM2260BUSW
 <p>Straight Center Bracket</p>	2	32	T8	120-277 V, 50/60 Hz	straight	RM2232BUST
	2	40	T12	120 V, 60 Hz	straight	RM224012SSST
	2	40	T12	277 V, 60 Hz	straight	RM224027SSST
	2	60	T12	120-277 V, 50/60 Hz	straight	RM2260BUST

Replacement Parts

Description	Catalog Number
Lens	
Lens and Frame Assembly	RIGLENS
Mounting Brackets	
Straight Bracket	RM3002SEM
Angle Bracket	RM3002AEM
Swivel Bracket	RMBMSW
Back-Straight Bracket	RMBMST
Sockets	
60 W Spring Loaded	RM60SRS
60 W Fixed Replacement	RM60FRS
32 W Replacement	RM32RS

Mounting Accessories – Safety Cable

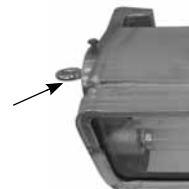
Galvanized Steel Cable	Catalog Number	Stainless Steel Cable	Catalog Number
3 ft/0.9 m	RMSC3GASL	3 ft/0.9 m	RMSC3STSL
4 ft/1.2 m	RMSC4GASL	4 ft/1.2 m	RMSC4STSL

Connecting Safety Cable

Swivel Center Mount and Straight Center Mount fixture comes standard with cast mounts on fixture end for connecting safety cable.



Swivel End Mount fixture comes standard with eyebolt on fixture end for connecting safety cable.



① Fixtures with emergency ballast are not recommended where the ambient temperature may fall below 32 °F/0 °C for extended periods.

② Does not apply to fixtures with fusing.

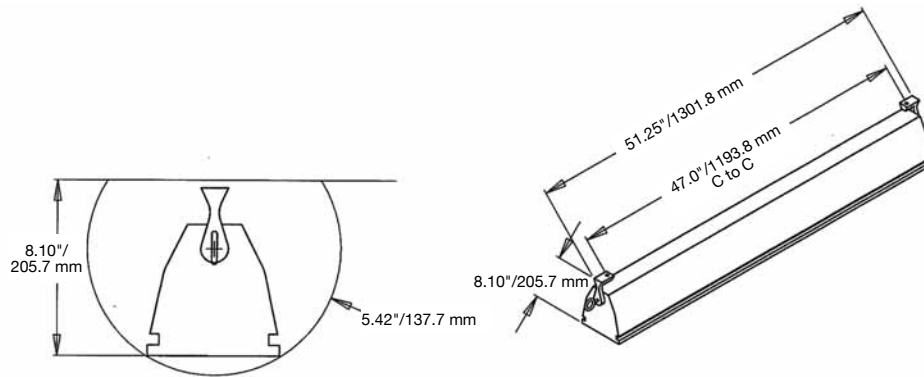
③ Fixtures shipped complete with lamps.

RigMaster™ Metallic Fluorescent Luminaire Dimensions

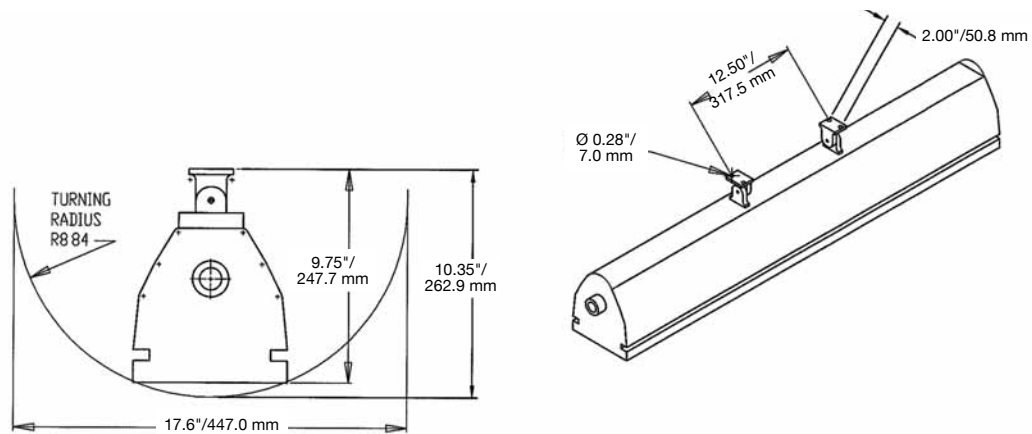
For Hazardous and Adverse Locations

Suitable for Use in Wet Locations. 32 W, 40 W and 60 W Two-Lamp Fixtures.

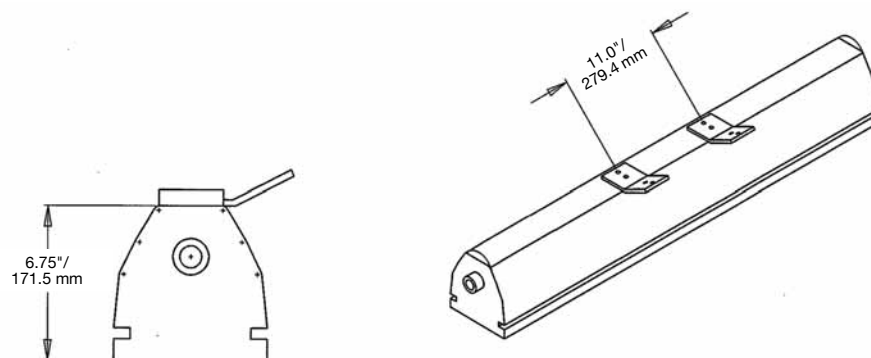
End Bracket Mounting



Swivel Bracket Mounting



Straight Bracket Mounting



Fixture Bracket Type	Weight in Lbs/Kgs
End	35/15.9
Swivel	35/15.9
Straight	35/15.9

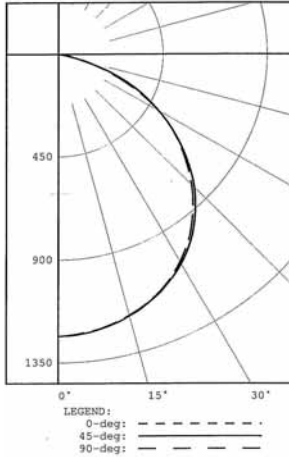
RigMaster™ Metallic Fluorescent Luminaire Photometrics

For Hazardous and Adverse Locations

Suitable for Use in Wet Locations. 32 W, 40 W and 60 W Two-Lamp Fixtures.

CANDELA DISTRIBUTION

	0.0	22.5	45.0	67.5	90.0	Flux
0	1234	1234	1234	1234	1234	
5	1234	1228	1227	1228	1224	117
15	1183	1187	1185	1187	1183	335
25	1106	1110	1109	1110	1106	512
35	984	990	996	990	984	620
45	813	823	830	823	813	634
55	612	619	614	619	612	550
65	364	375	381	375	364	368
75	124	126	112	126	124	133
85	9	7	7	7	9	12
90	1	1	1	1		



CATALOG NUMBER: **RM2232BU**

Luminaire: Class I, Division 2 fluorescent fixture with glass lens (4 foot, T-8. 32 Watt) tested at 120 V

Lamps: Two Phillips 32 W, 4-foot F32T8/TL741 fluorescents

Ballast: Advance T-8, 32 Watt, catalog number ICN-2P32-SC 50/60 Hz, Instant Start, 120-277 V

Ambient Temperature: 24 °C/75 °F

Mounting: With Bracket

Based on: 2,850 Lumens per Lamp

TOTAL LUMINAIRE EFFICIENCY = 57.6%

CIE Type – Direct

Plane: 0° 90°

Spacing Criteria: 1.3 1.3

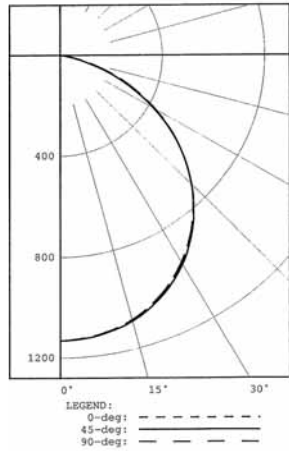
Shielding Angles: 1.0 0.0

ZONAL LUMEN SUMMARY

ZONE	LUMENS	% LAMP	% FIXT.
0- 30	964	16.9	29.4
0- 40	1584	27.8	48.3
0- 60	2767	48.6	84.3
0- 90	3281	57.6	100.0
90-180	0	0.0	0.0
0-180	3281	57.6	100.0

CANDELA DISTRIBUTION

	0.0	22.5	45.0	67.5	90.0	Flux
0	1132	1132	1132	1132	1132	
5	1124	1128	1126	1128	1124	107
15	1085	1089	1090	1089	1085	308
25	1003	1010	1011	1010	1003	465
35	882	889	888	889	882	555
45	726	730	726	730	726	561
55	535	535	533	535	535	477
65	322	316	311	316	322	314
75	121	112	104	112	121	121
85	9	7	6	7	9	11
90	0	0	0	0	0	



CATALOG NUMBER: **RM2232BU**

Luminaire: Class I, Division 2 fluorescent fixture with glass lens (4 foot, T-12. 34 Watt) tested at 120 V

Lamps: 2 Philips 34 Watt (4 foot, T-12) F40CW/RS/EW

Ballast: Advance T-12, 34 Watt, catalog number REL-2S40-SC 50/60 Hz, Instant Start, 120 V

Ambient Temperature: 24 °C/75 °F

Mounting: With Bracket

Based on: 2,650 Lumens per Lamp

TOTAL LUMINAIRE EFFICIENCY = 55.1%

CIE Type – Direct

Plane: 0° 90°

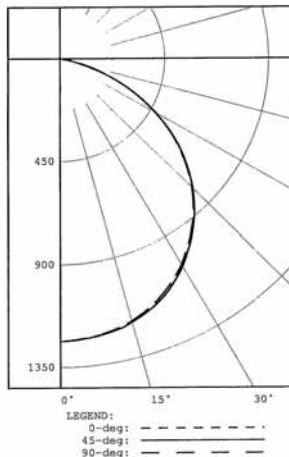
Spacing Criteria: 1.2 1.2

ZONAL LUMEN SUMMARY

ZONE	LUMENS	% LAMP	% FIXT.
0- 30	880	16.6	30.1
0- 40	1435	27.1	49.2
0- 60	2473	46.7	84.7
0- 90	2919	55.1	100.0
90-180	0	0.0	0.0
0-180	2919	55.1	100.0

CANDELA DISTRIBUTION

	0.0	22.5	45.0	67.5	90.0	Flux
0	1237	1237	1237	1237	1237	
5	1227	1231	1229	1231	1227	117
15	1188	1194	1193	1194	1188	337
25	1100	1108	1111	1108	1100	511
35	968	977	976	977	968	610
45	800	806	805	806	800	619
55	591	593	594	593	591	529
65	351	352	351	352	351	347
75	122	116	106	116	122	127
85	10	8	6	8	10	12
90	0	0	0	0	0	



CATALOG NUMBER: **RM2260BU**

Luminaire: Class I, Division 2 fluorescent fixture with glass lens (4 foot, T-12. 60 Watt) tested

Lamps: 2 Philips 60 Watt (4 foot, T-12) F48T12CWHO ALTO

Ballast: Advance T-12, 60 Watt, catalog number VEL-2S110

Ambient Temperature: 24 °C/75 °F

Mounting: With Bracket

Based on: 4,050 Lumens per Lamp

TOTAL LUMINAIRE EFFICIENCY = 39.6%

CIE Type – Direct

Plane: 0° 90°

Spacing Criteria: 1.2 1.2

ZONAL LUMEN SUMMARY

ZONE	LUMENS	% LAMP	% FIXT.
0- 30	965	11.9	30.1
0- 40	1574	19.4	49.1
0- 60	2722	33.6	84.8
0- 90	3208	39.6	100.0
90-180	0	0.0	0.0
0-180	3208	39.6	100.0

Lighting

LIGHTING: ENCLOSED AND GASKETED – AREA – FLUORESCENT